

ASSEMBLY INSTRUCTIONS

PANTRY CABINET (VALC7818)

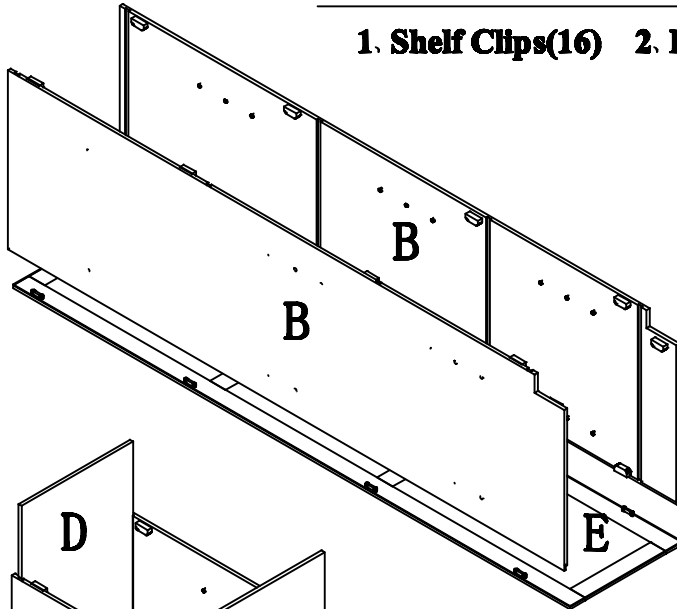
CABINET PARTS LIST

A-Doors & Face Frame B-End Panels(2) C-Shelves(4) D-Top/Medium/Bottom Panels(4)
E-Back Panel H-Toe Kick

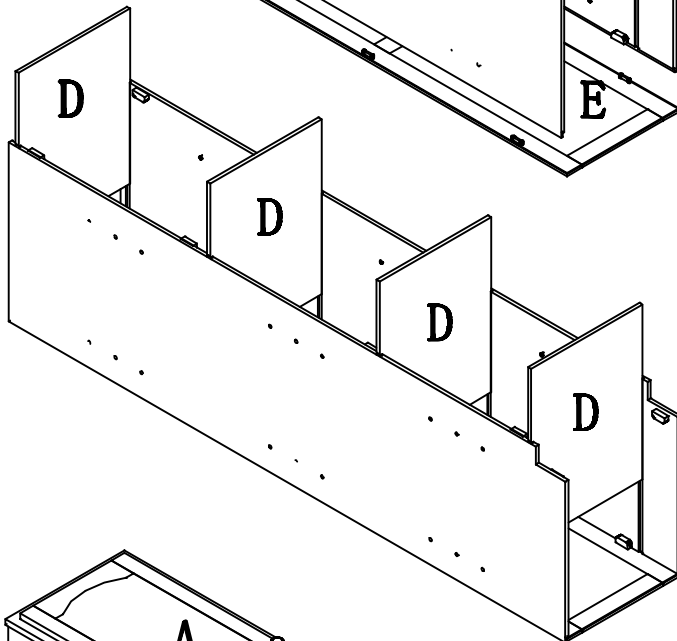
HARDWARE PARTS LIST

1. Shelf Clips(16) 2. Knobs (3)

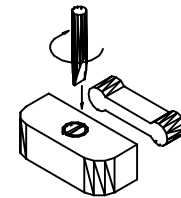
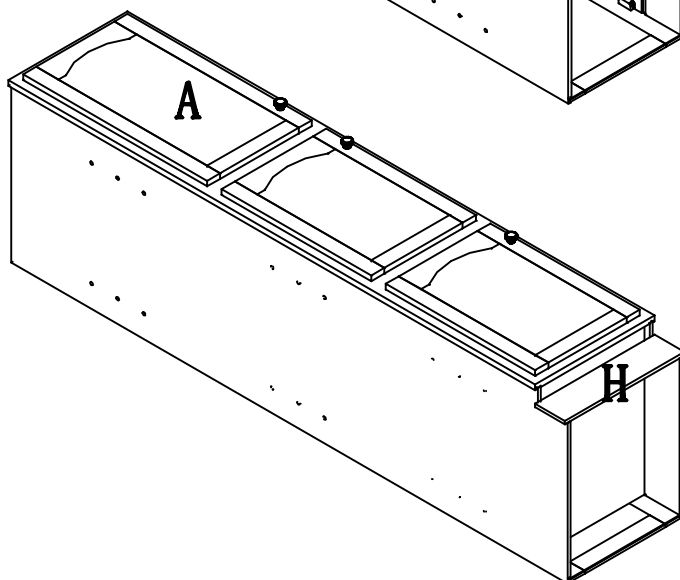
STEP1



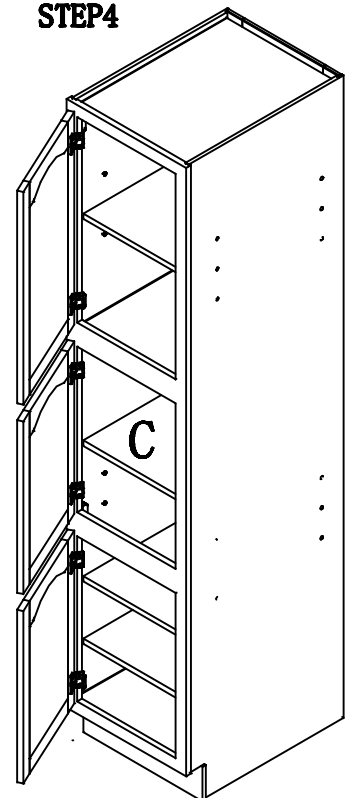
STEP2



STEP3



STEP4



Your cabinet is complete. For installation, consult a professional contractor or building supplier for the proper installation method or materials to be used for your existing wall condition (e.g., wood, concrete, tile, etc.).