

ASSEMBLY INSTRUCTIONS

VANITY CABINET (VA1816-S)

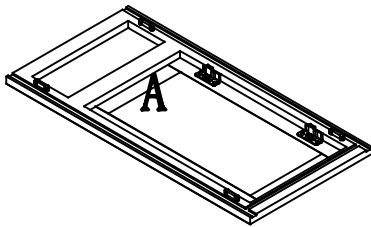
CABINET PARTS LIST

A-Doors & Face Frame B-End Panels(2) C-Back Bottom Panel D-Bottom Panel
E-Back Panel H-Toe Kick

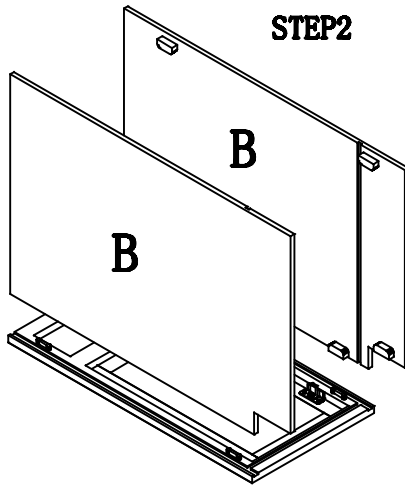
HARDWARE PARTS LIST

1. Knob(1)

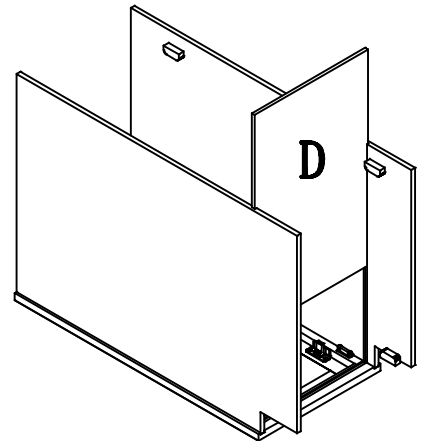
STEP1



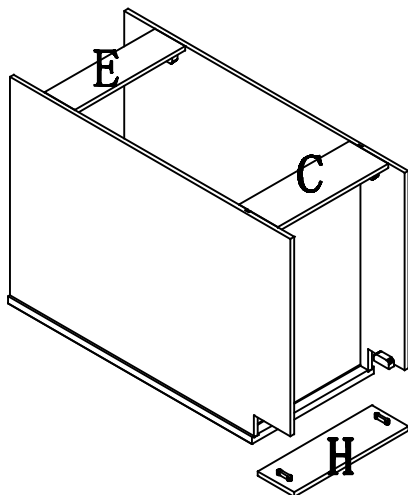
STEP2



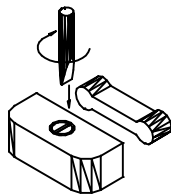
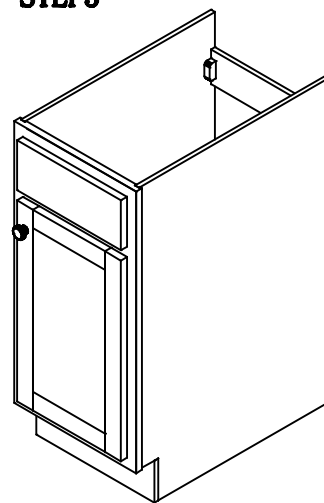
STEP3



STEP4



STEP5



Your cabinet is complete. For installation, consult a professional contractor or building supplier for the proper installation method or materials to be used for your existing wall condition (e.g., wood, concrete, tile, etc.).