

ASSEMBLY INSTRUCTIONS

VANITY DRAWER BASE CABINET (VDB1218,VDB1518,VDB1818) (VDB1221,VDB1521,VDB1821)

CABINET PARTS LIST

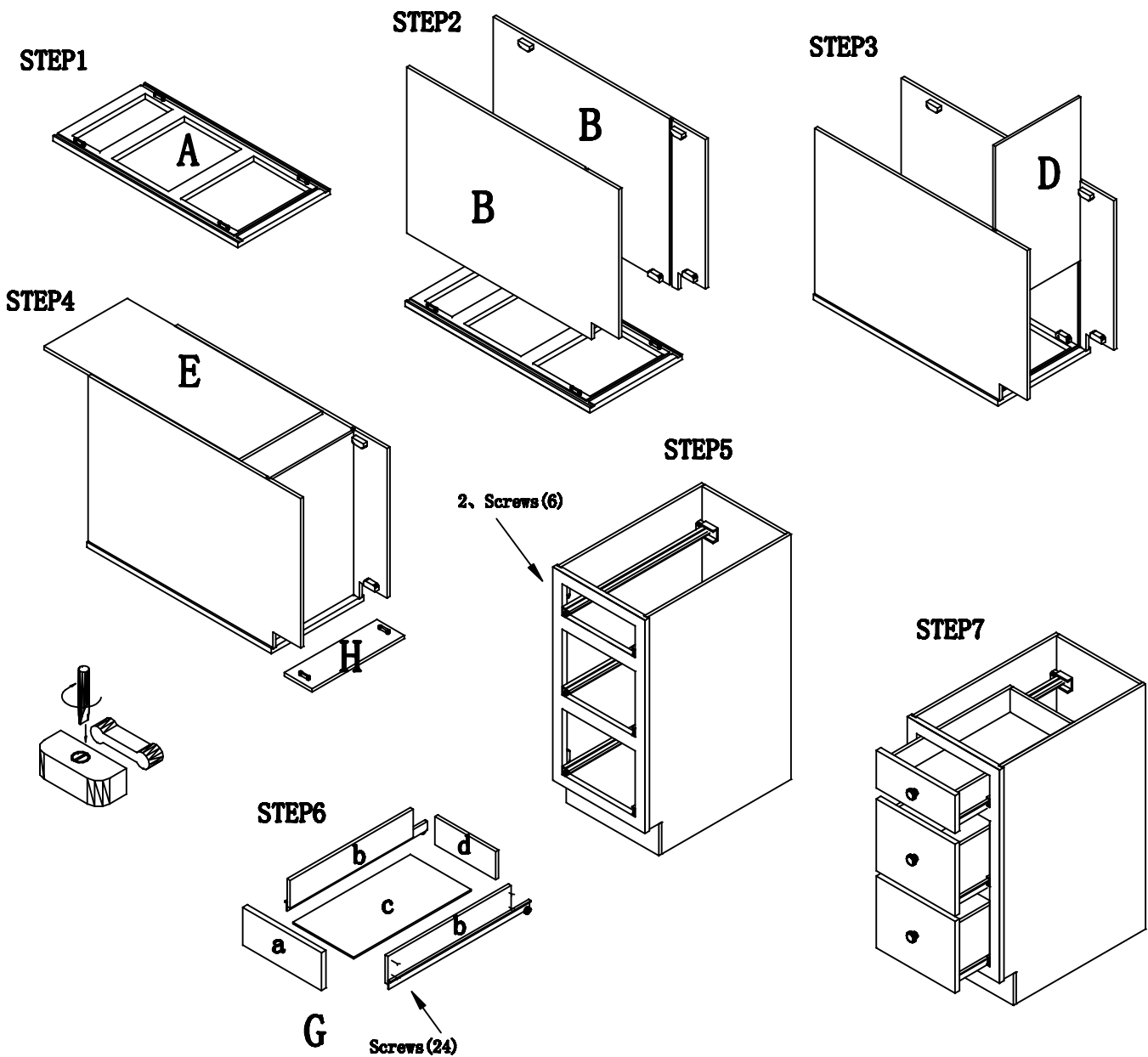
A- Face Frame B-End Panels(2) D-Bottom Panel E-Back Panel
H-Toe Kick G-Drawer Parts

DRAWER PARTS LIST

a-Front(3) b-Sides(6) c-Bottom(3) d-Back(3) e-Drawer Slides(3 pr) f-Screws(Ø3*30-24)

HARDWARE PARTS LIST

1. Knob(3) 2. Screws(Ø3*10-6)



Your cabinet is complete. For installation, consult a professional contractor or building supplier for the proper installation method or materials to be used for your existing wall condition (e.g., wood, concrete, tile, etc.).