

ASSEMBLY INSTRUCTIONS

BASE CABINET (FS B36)

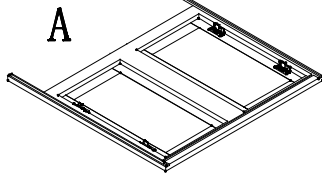
CABINET PARTS LIST

A-Doors & Face Frame B-End Panels(2) D-Bottom Panel E- Back Panel
F- Shelf H-Toe Kick J-Base Bottom Support

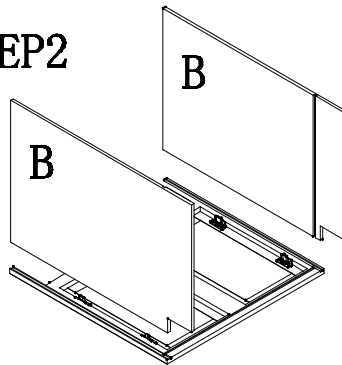
HARDWARE PARTS LIST

1. Corner Braces(4) 2. Screws($\text{\O}3.5*25-8$) 3. Screws($\text{\O}3*12-8$)

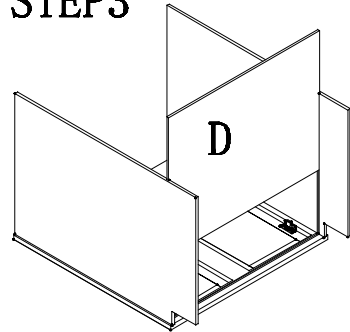
STEP1



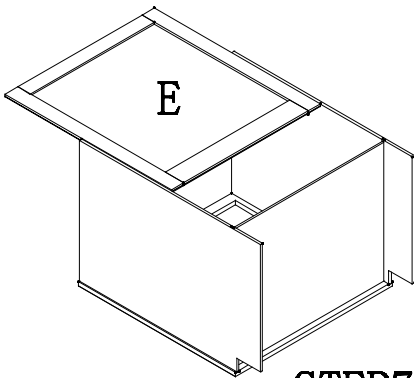
STEP2



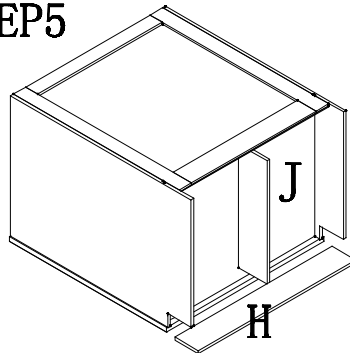
STEP3



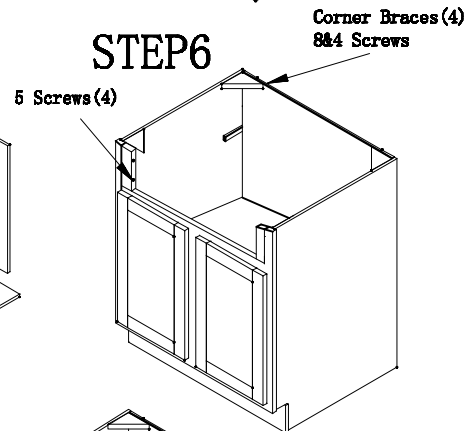
STEP4



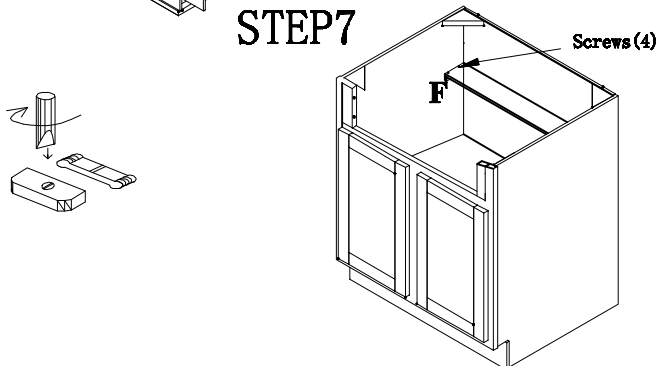
STEP5



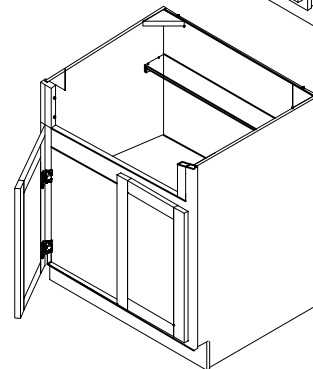
STEP6



STEP7



STEP8



Your cabinet is complete. For installation, consult a professional contractor or building supplier for the proper installation method or materials to be used for your existing wall condition (e.g., wood, concrete, tile, etc.).