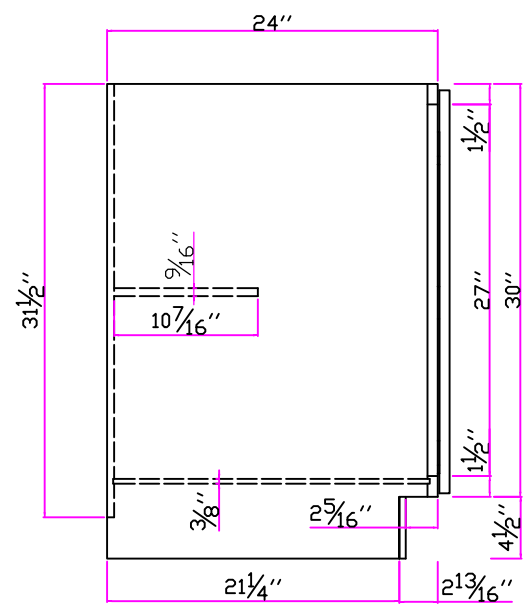
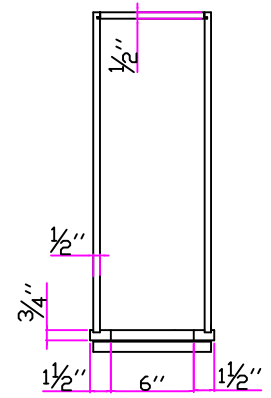
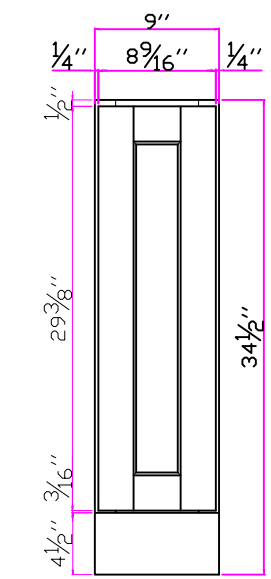


REVISIONS



DFG

B18-FH

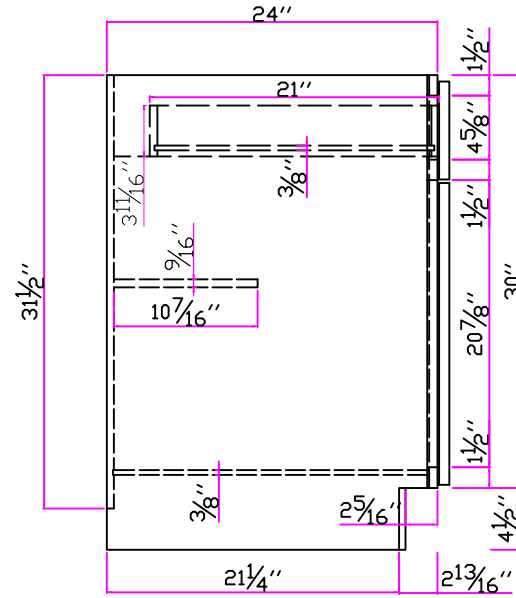
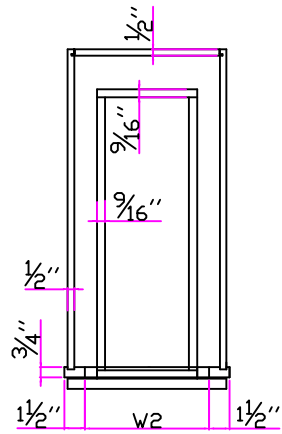
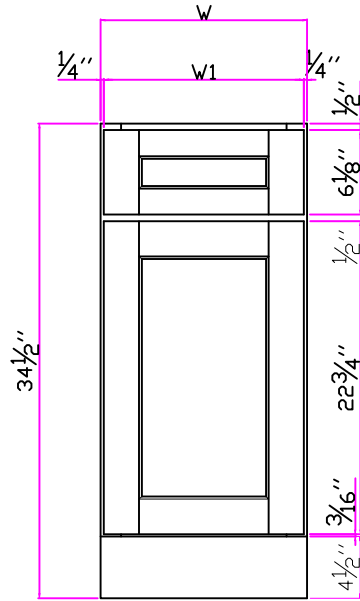


REVISIONS



DFG

B09-FH

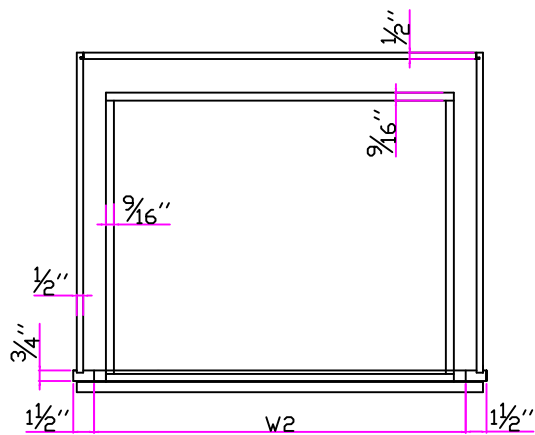
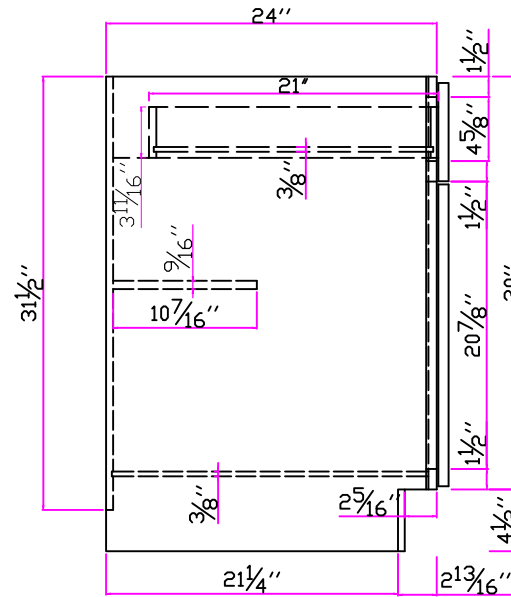
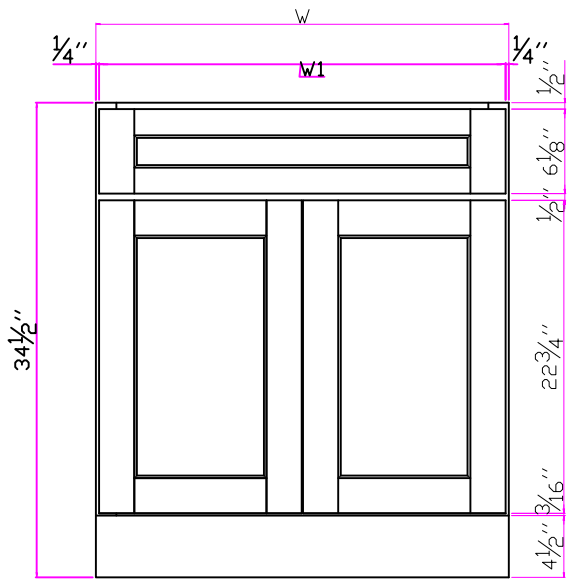


REVISIONS



DFG

B12-B21

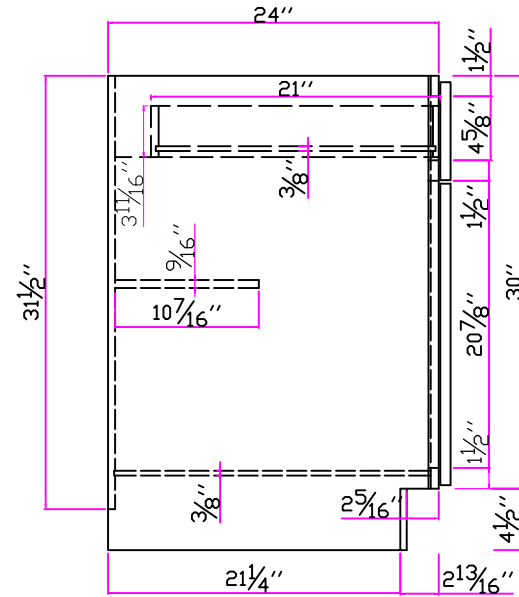
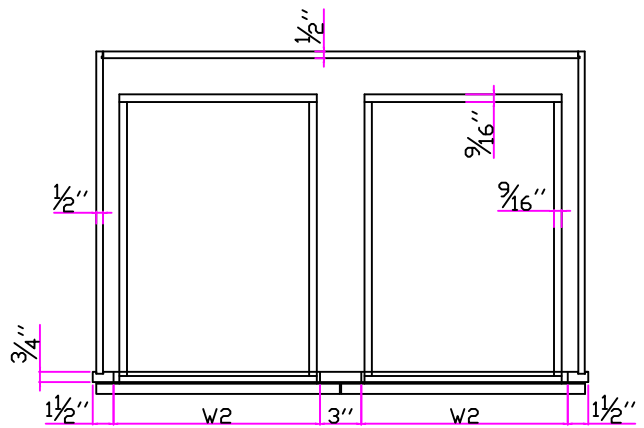
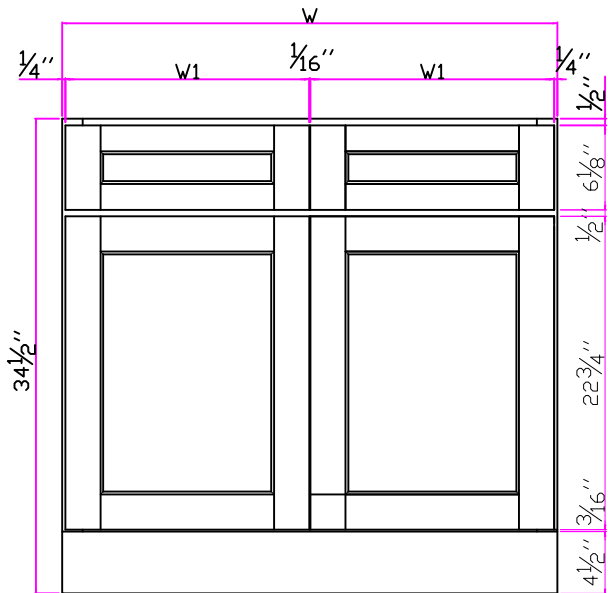


REVISIONS



DFG

B24-B30

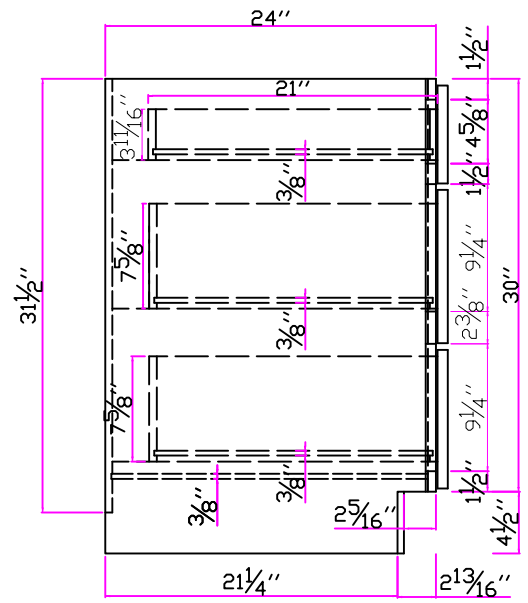
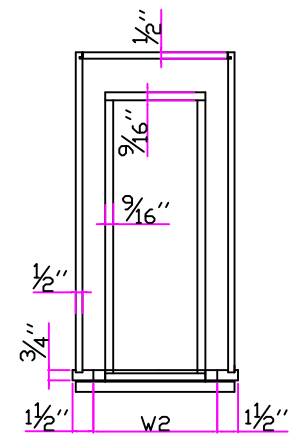
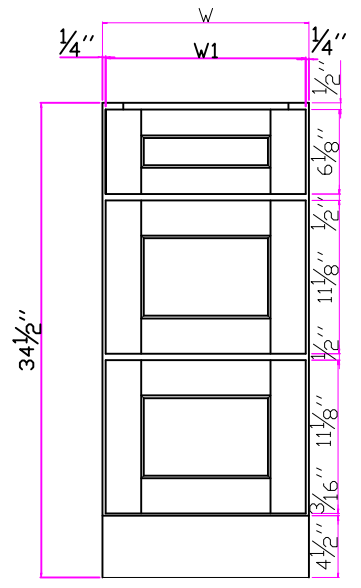


REVISIONS



DFG

B33-B36

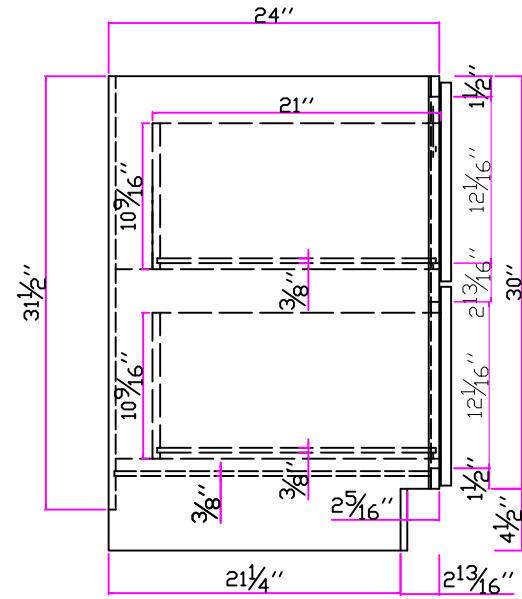
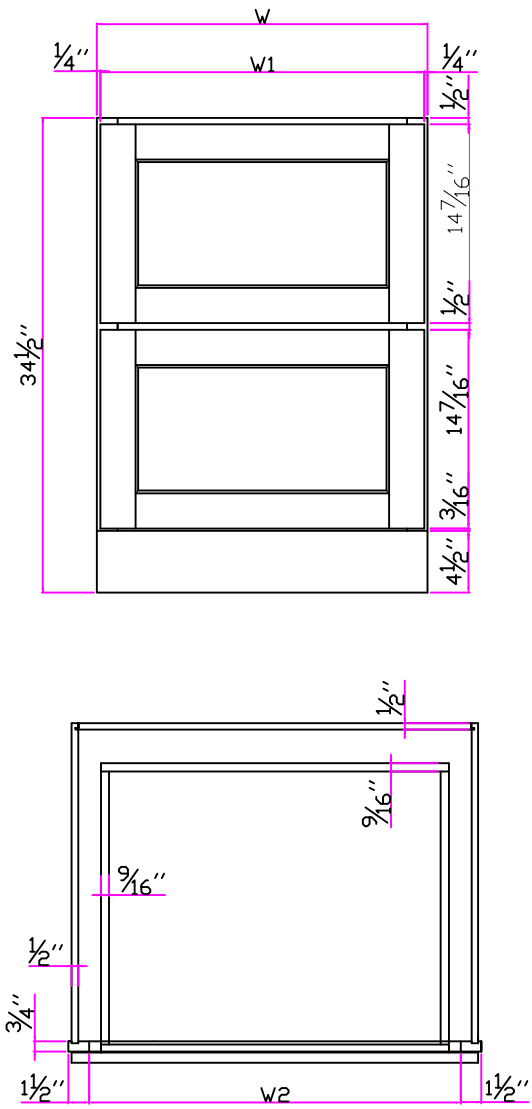


REVISIONS



DFG

DB15-DB30

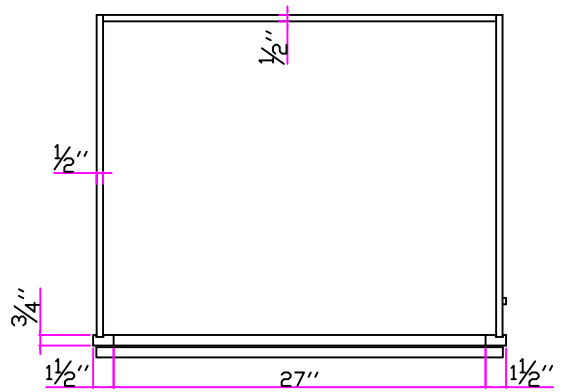
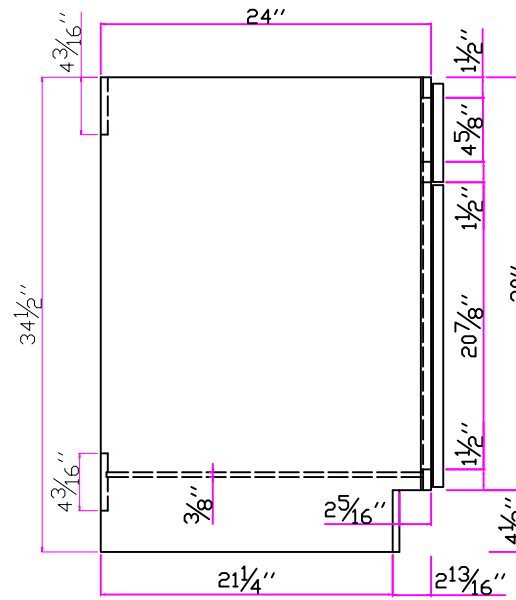
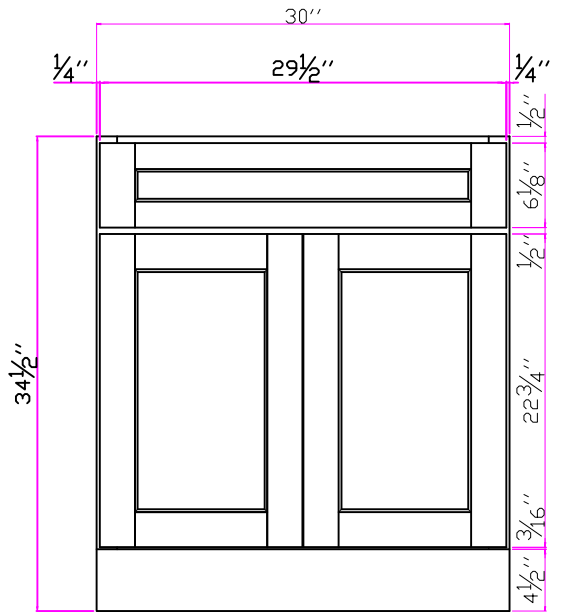


REVISIONS



DFG

DB24-2
DB30-2

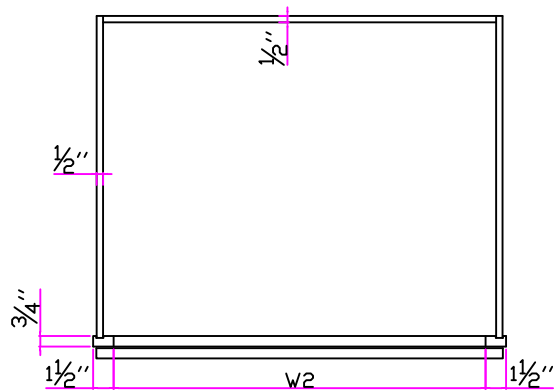
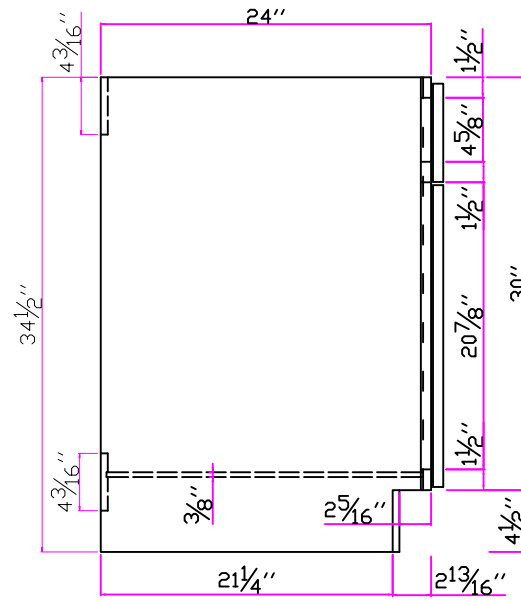
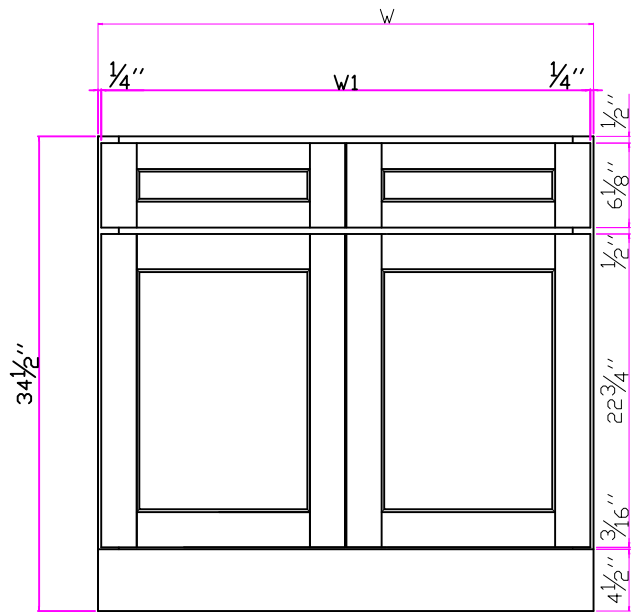


REVISIONS



DFG

SB30

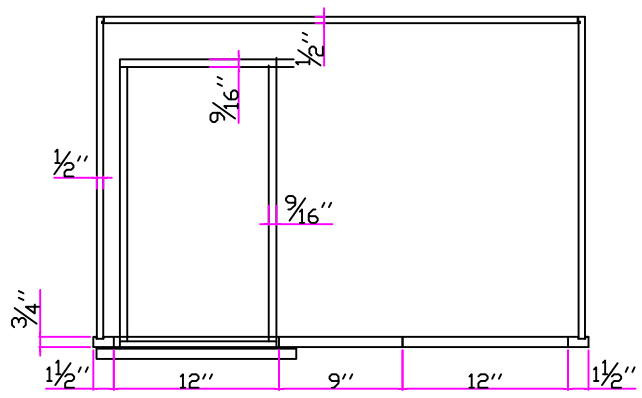
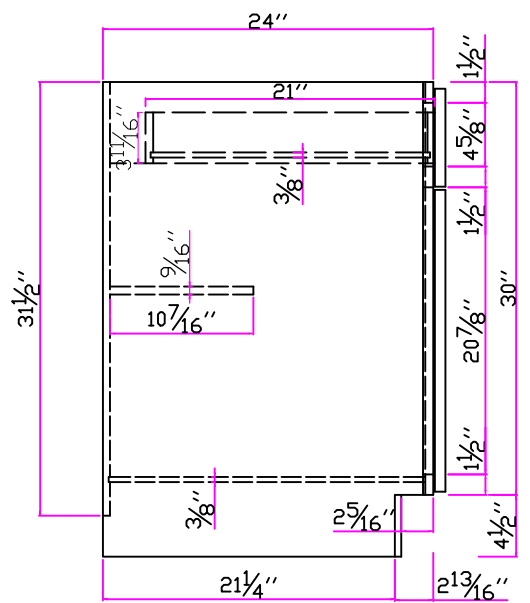
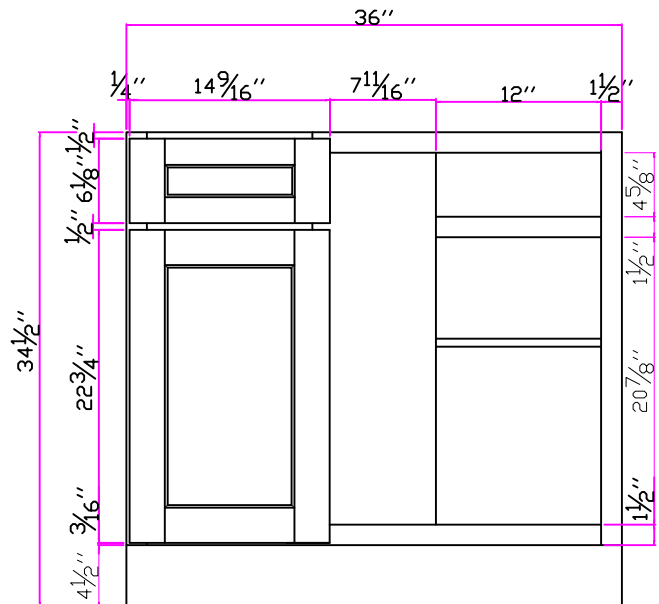


REVISIONS



DFG

SB33-SB42

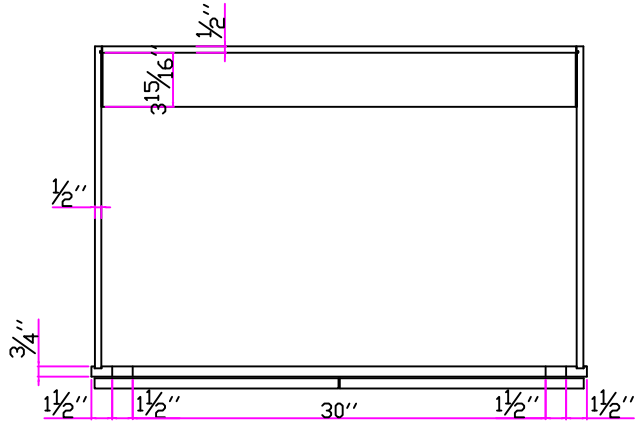
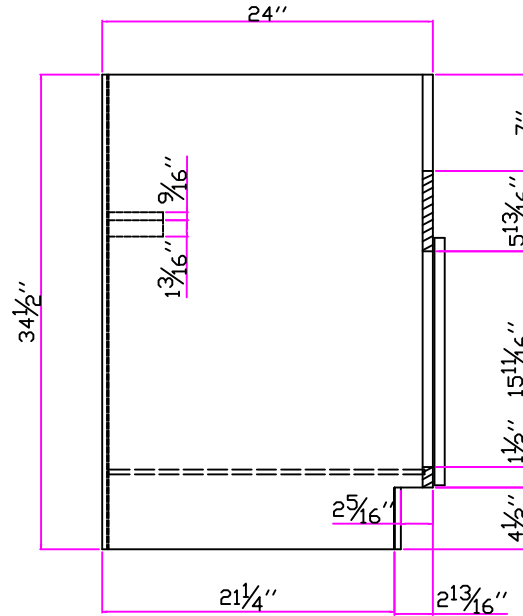
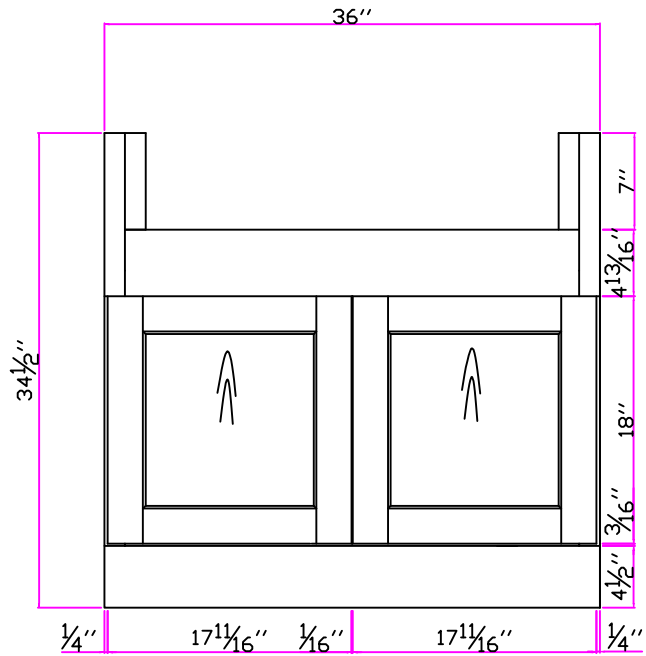


REVISIONS



DFG

BBC42-45

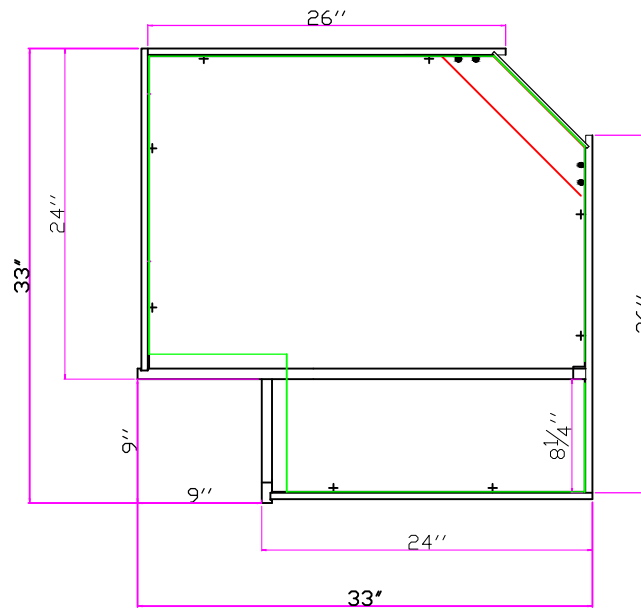
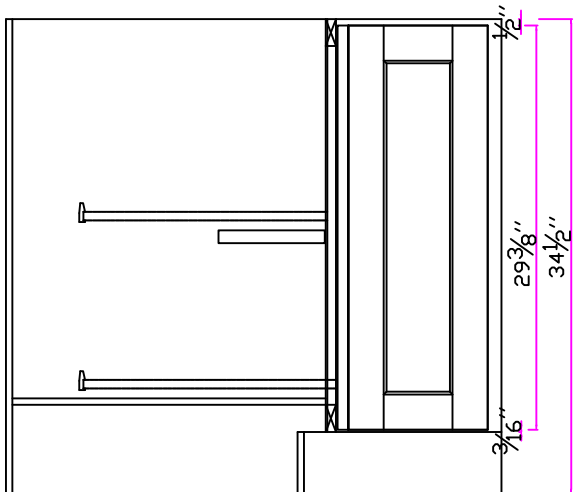


REVISIONS



DFG

FSB36

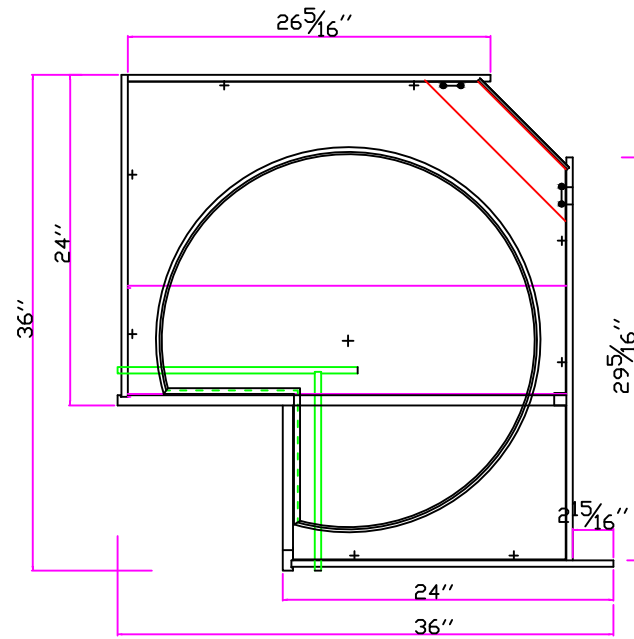
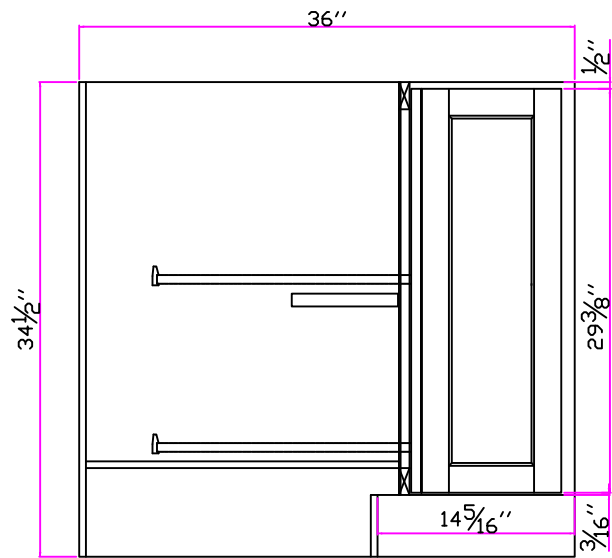


REVISIONS



DFG

ER3309

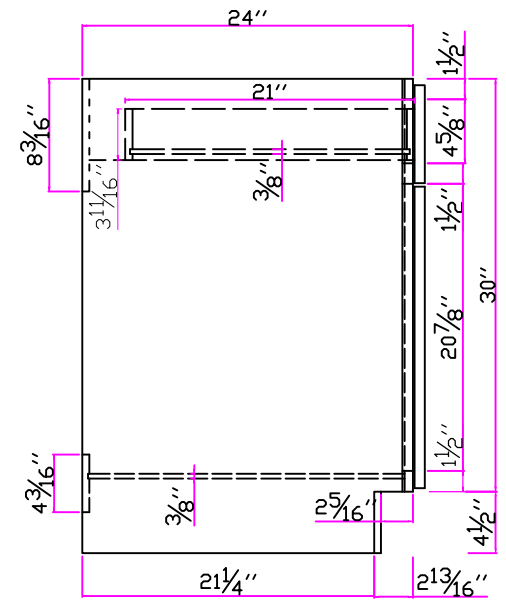
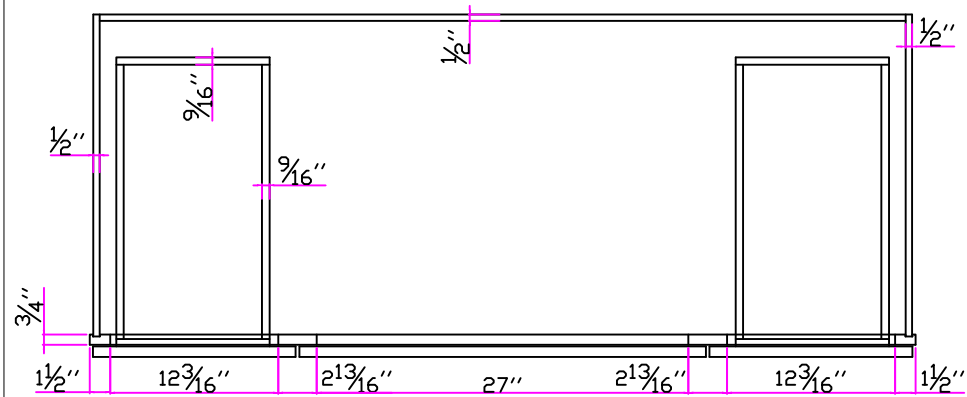
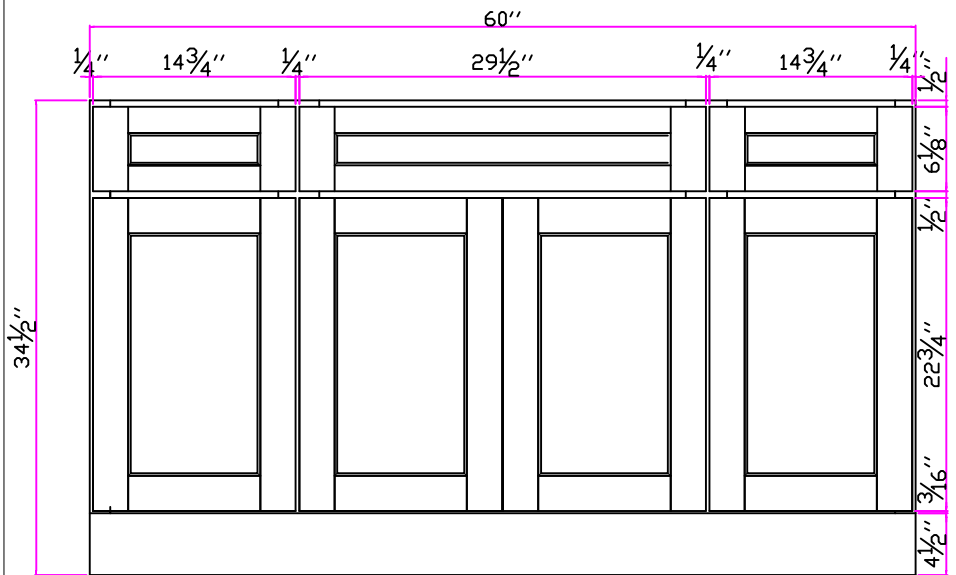


REVISIONS



DFG

DCB3612

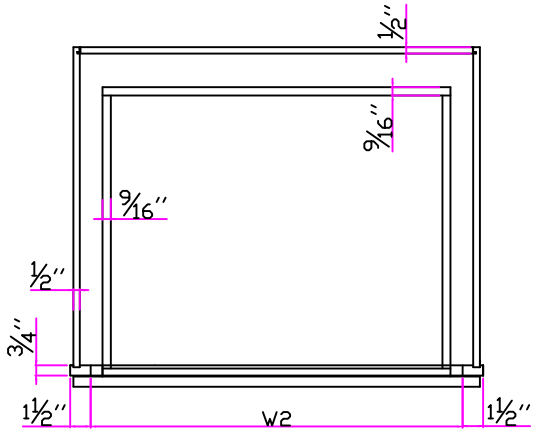
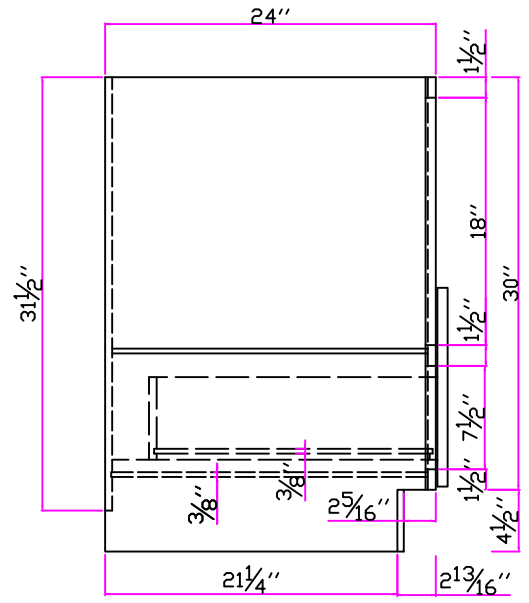
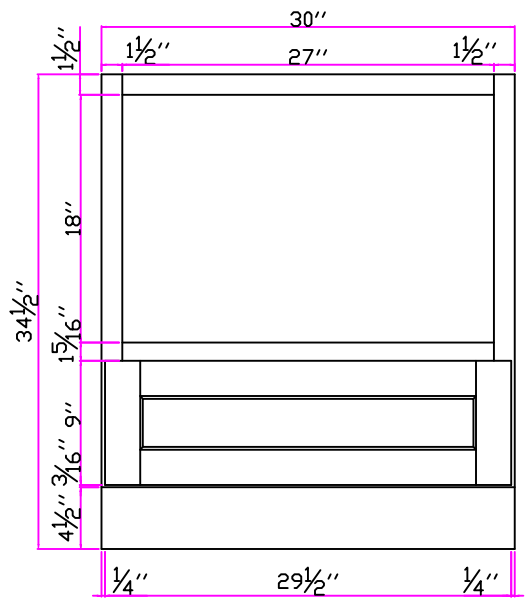


REVISIONS



DFG

SB60

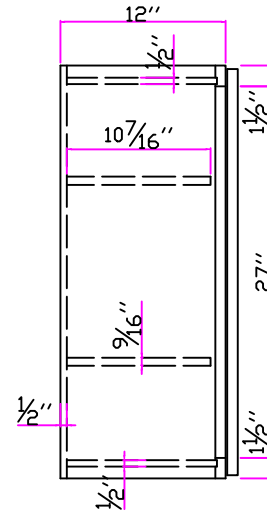
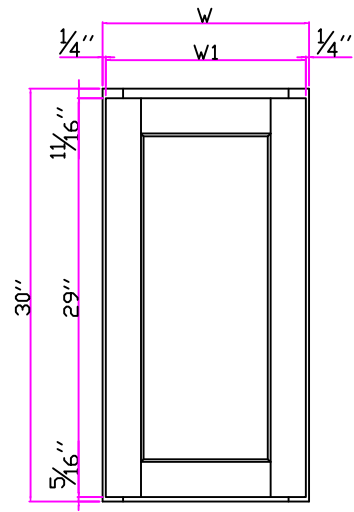


REVISIONS



DFG

MB30

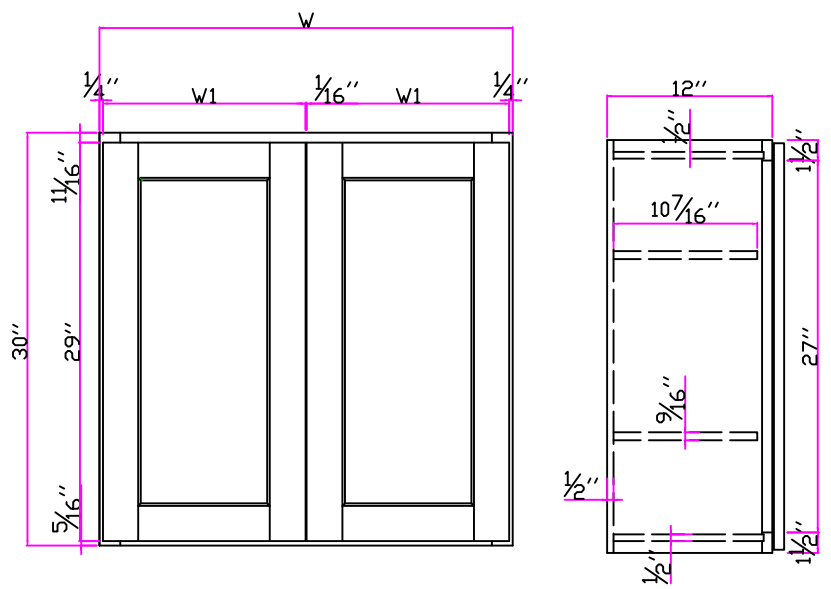


REVISIONS



DFG

W0930-W2130

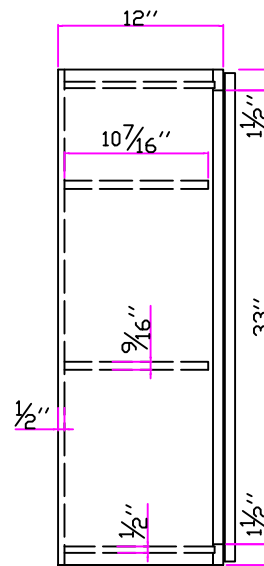
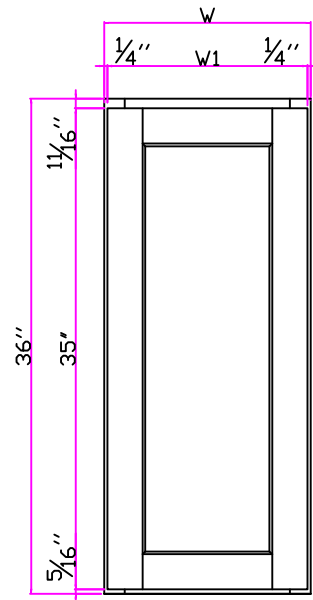


REVISIONS



DFG

W2430-W3630

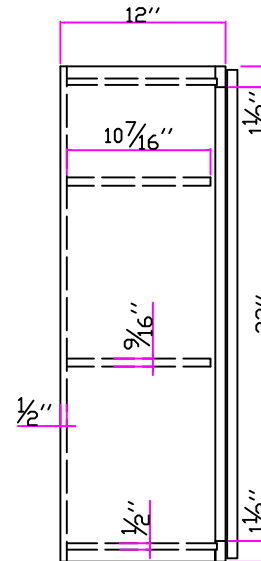
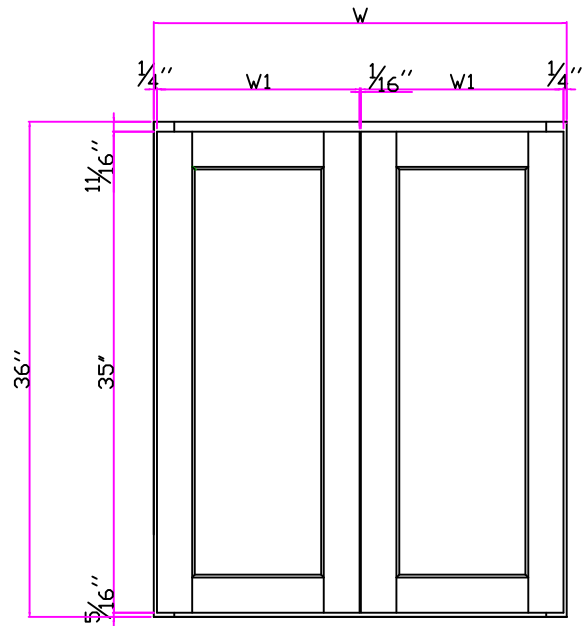


REVISIONS



DFG

W0936-2136

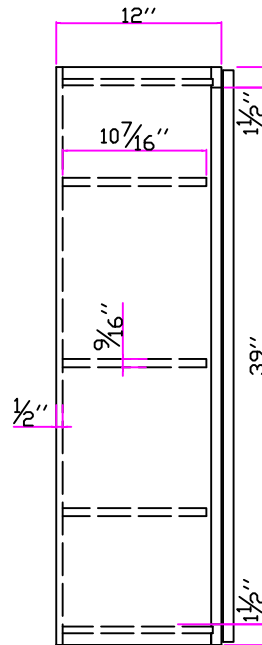
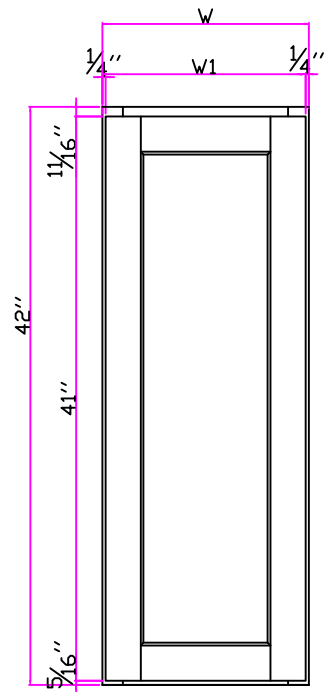


REVISIONS



DFG

W2436-W3636

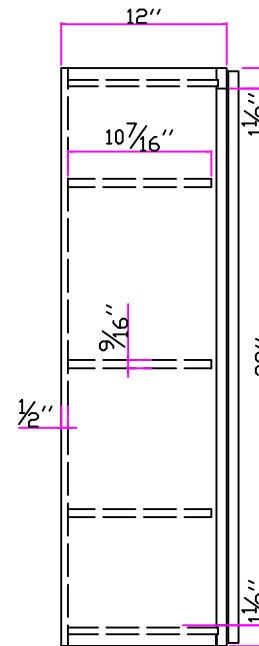
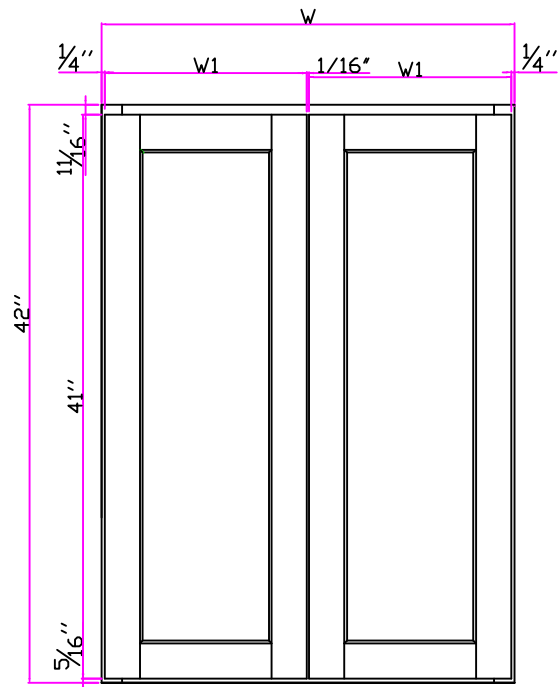


REVISIONS



DFG

W0942-W2142

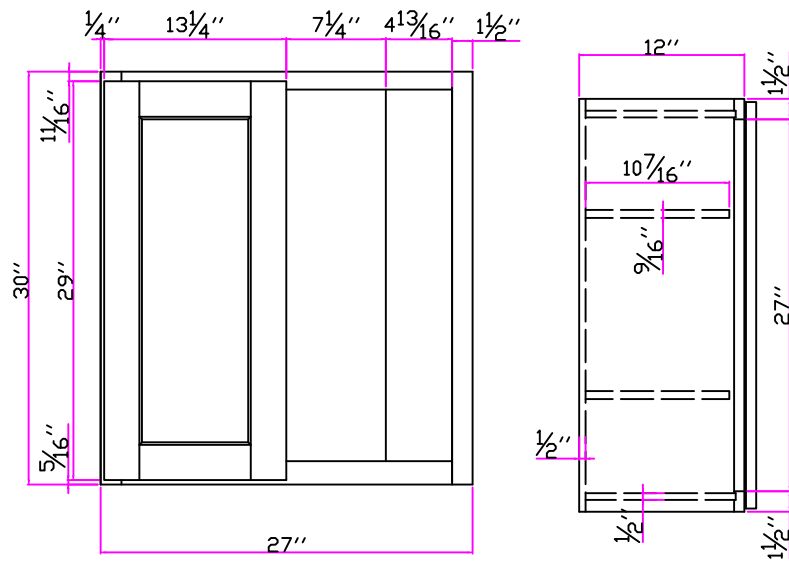


REVISIONS



DFG

W2442-W3642

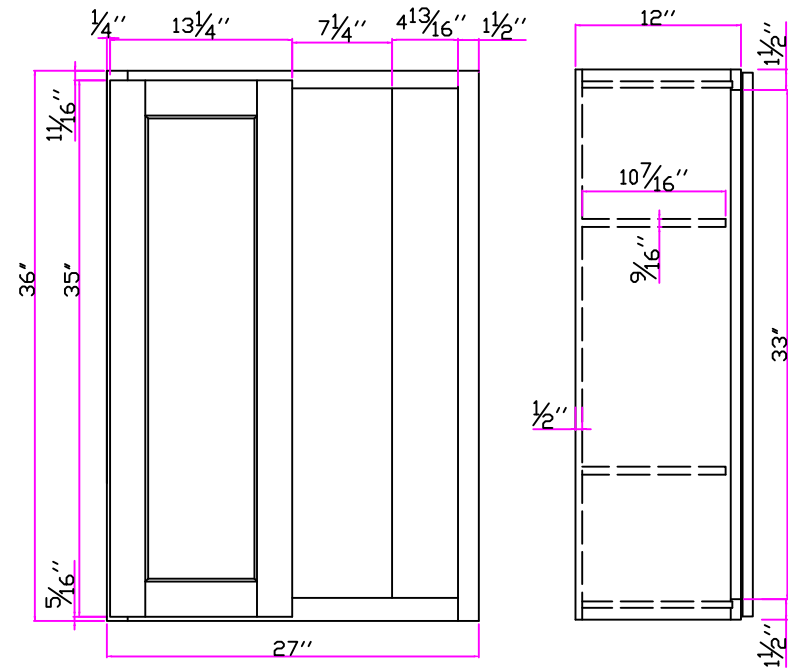


REVISIONS



DFG

WBC2730

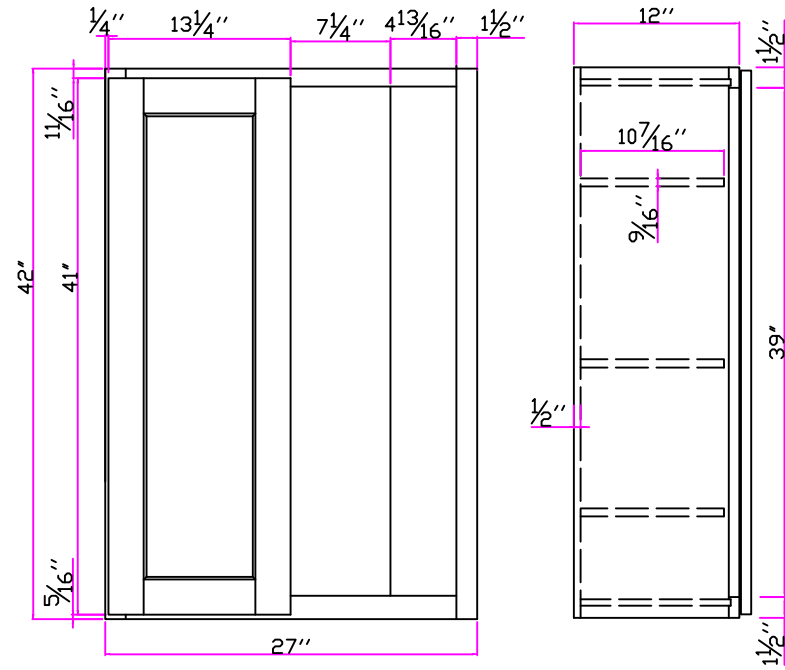


REVISIONS



DFG

WBC2736

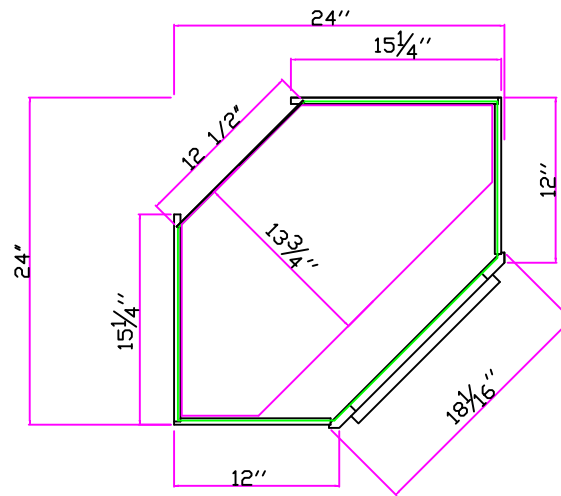
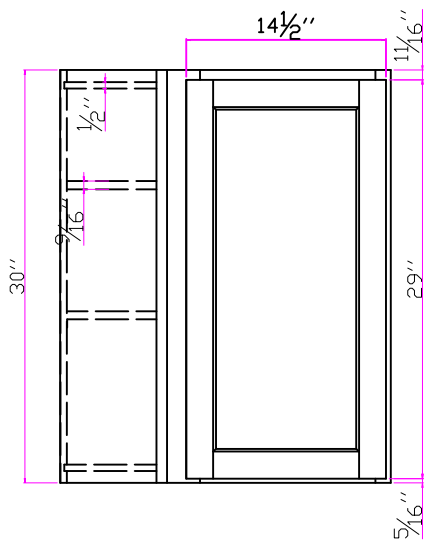


REVISIONS



DFG

WBC2742

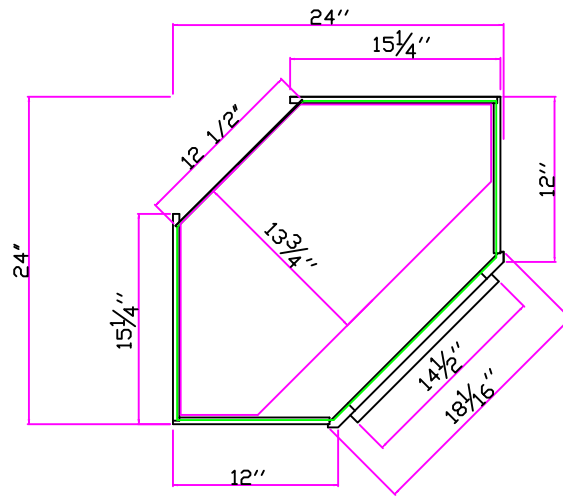
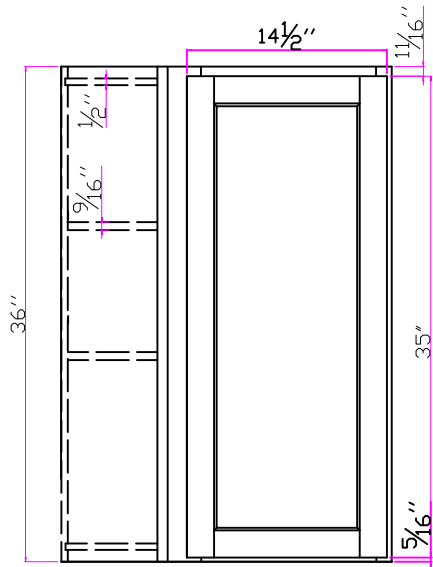


REVISIONS



DFG

WDC2430

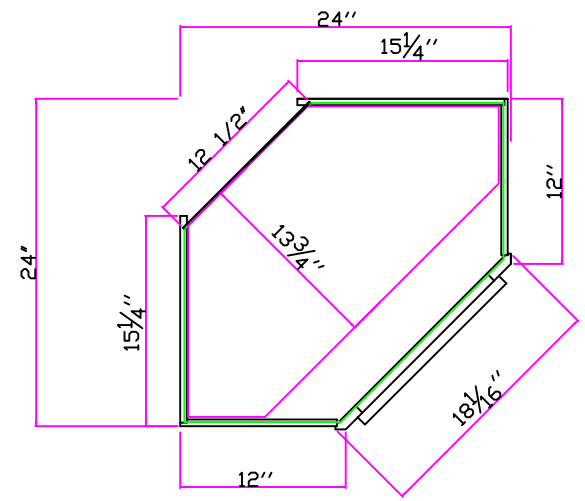
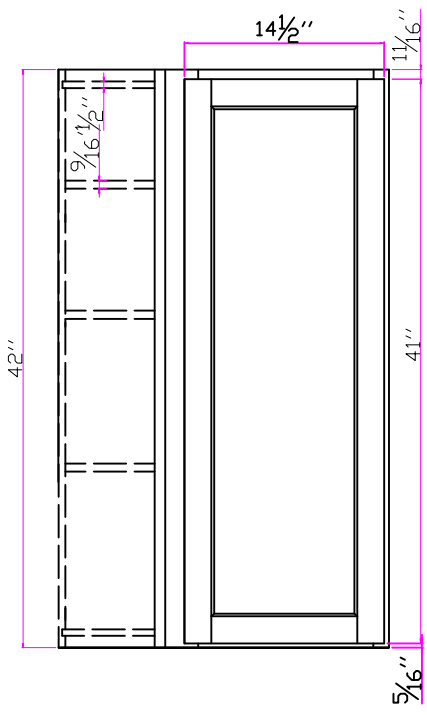


REVISIONS



DFG

WDC2436

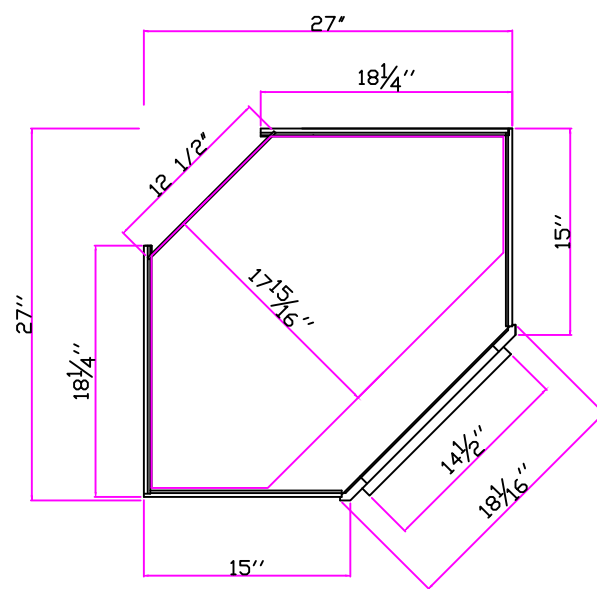
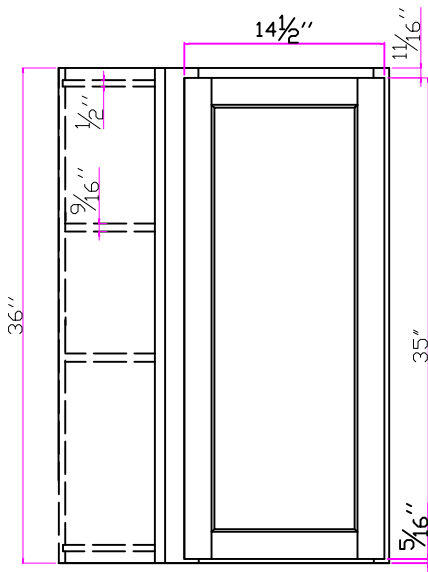


REVISIONS



DFG

WDC2442

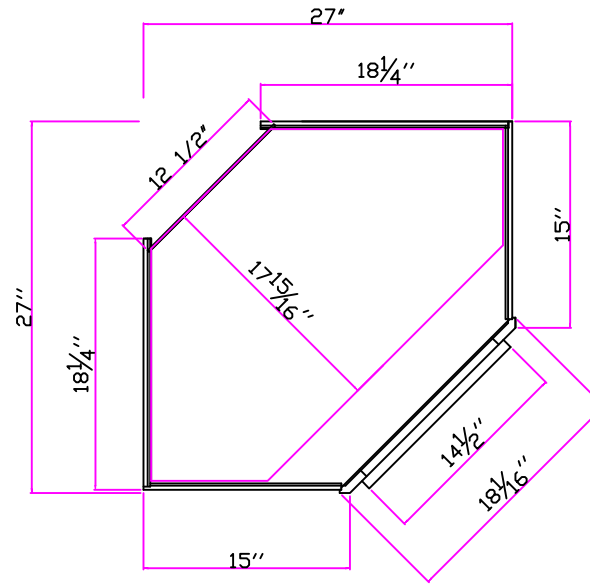
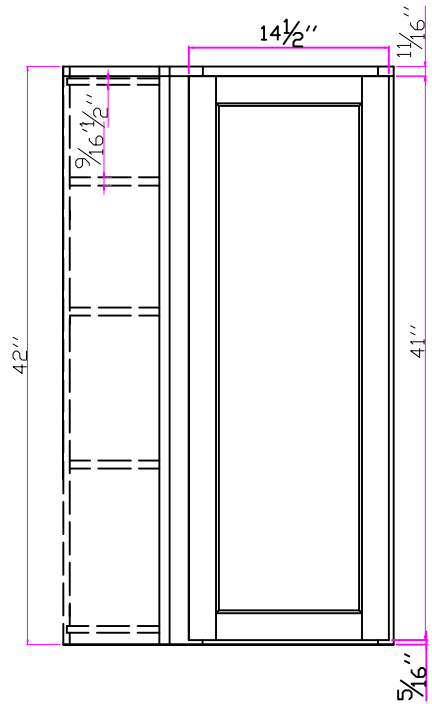


REVISIONS



DFG

WDC2736

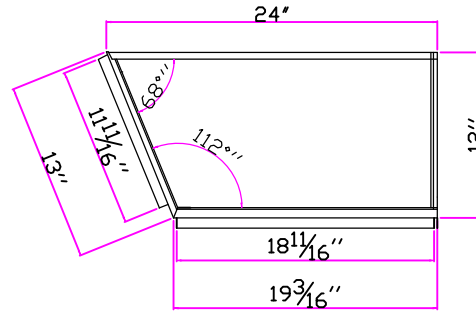
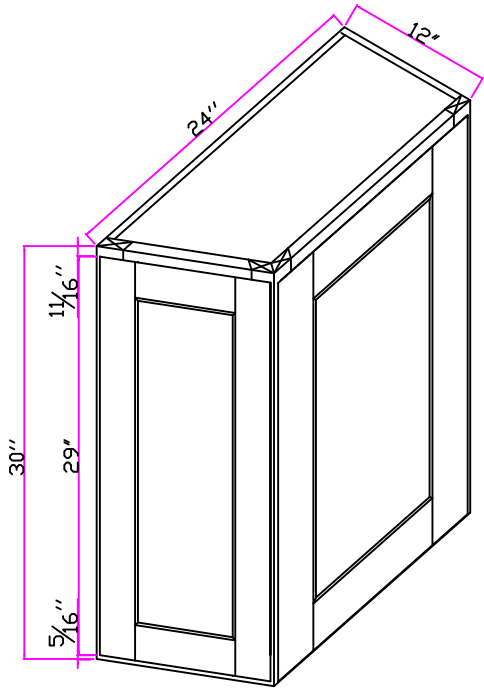


REVISIONS



DFG

WDC2742

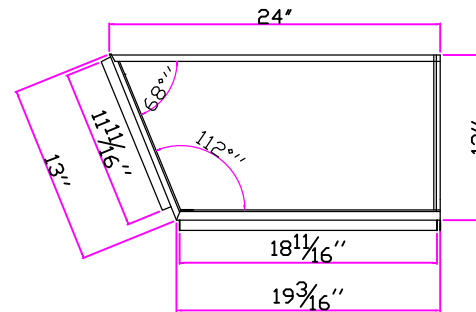
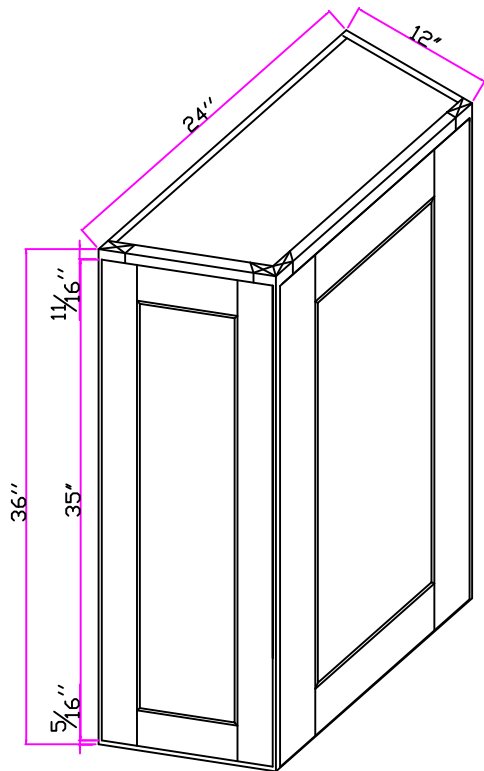


REVISIONS



DFG

WAC2430

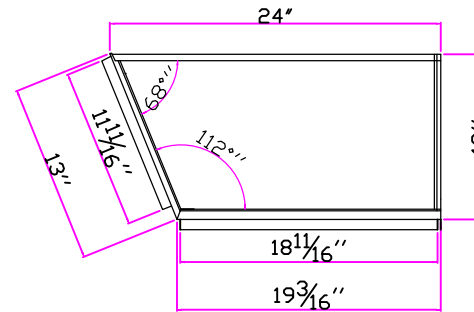
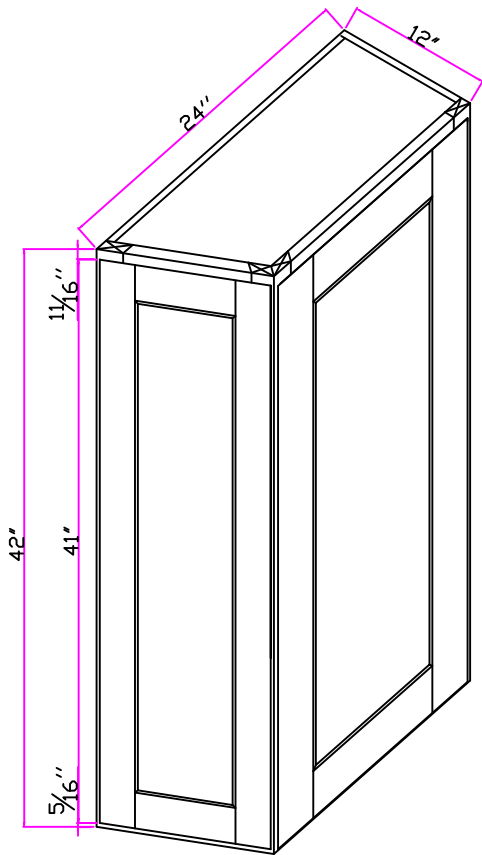


REVISIONS



DFG

WAC2436

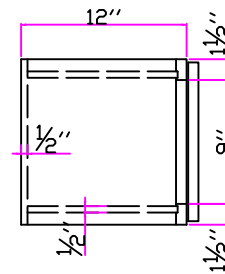
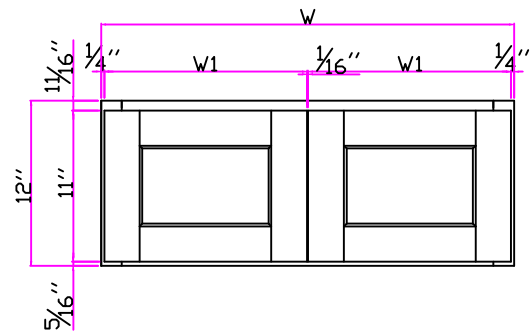


REVISIONS



DFG

WAC2442

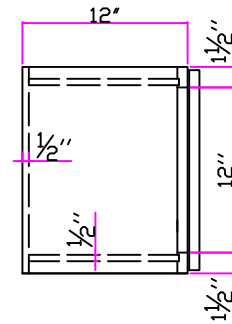
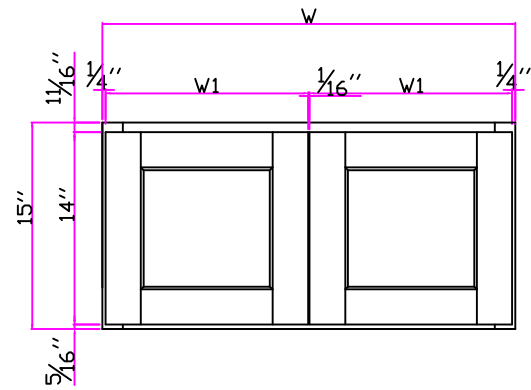


REVISIONS



DFG

W3012-W3612

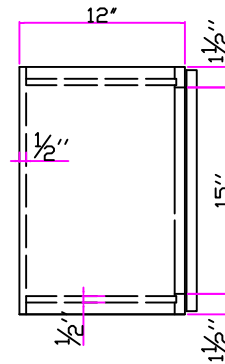
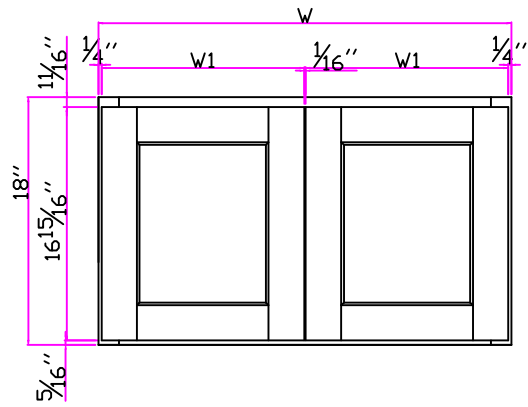


REVISIONS



DFG

W2415-W3615

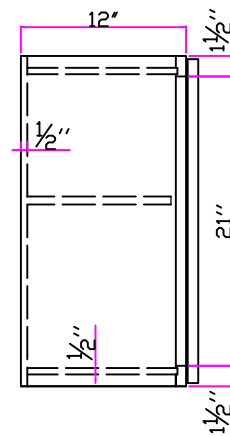
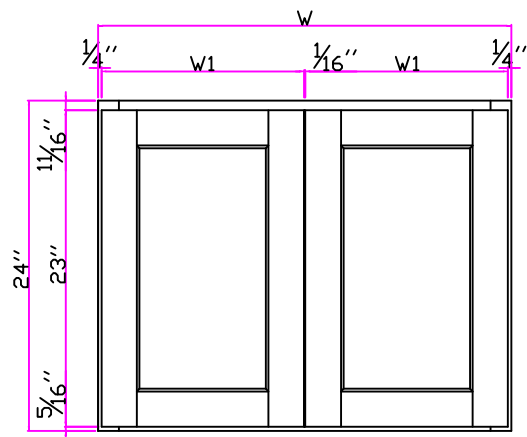


REVISIONS



DFG

W3018-W3618

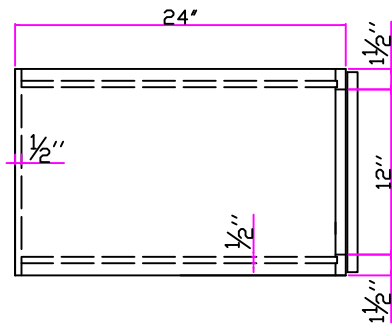
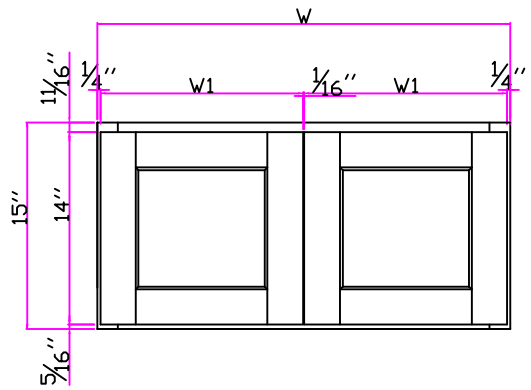


REVISIONS



DFG

W3024-W3624

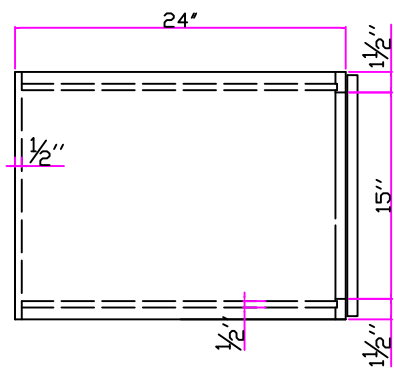
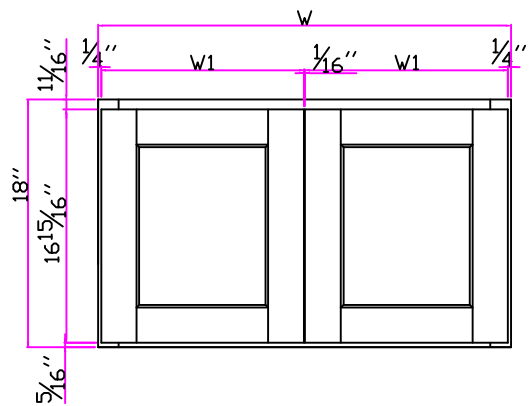


REVISIONS



DFG

W331524
W361524

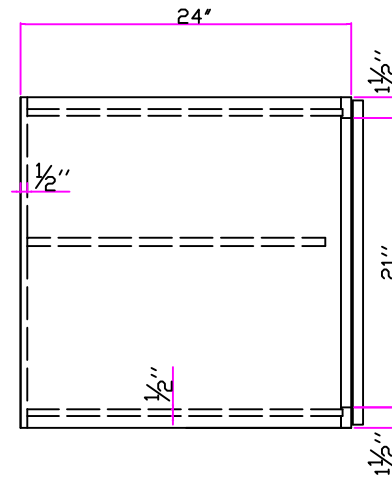
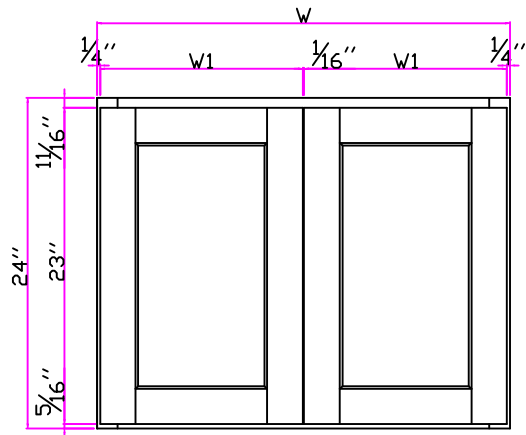


REVISIONS



DFG

W331824
W361824

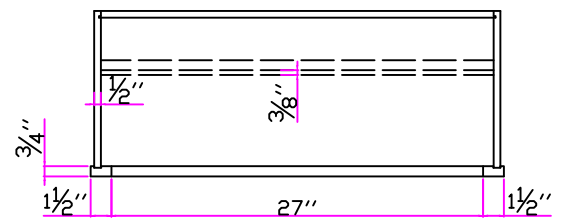
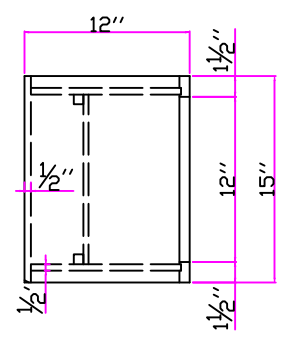
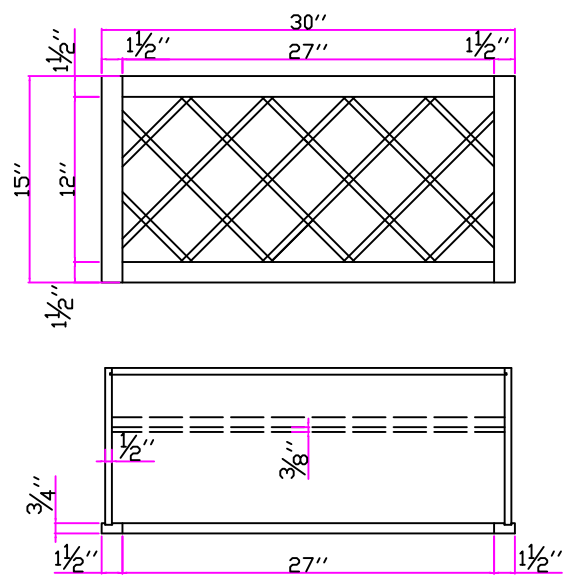


REVISIONS



DFG

W332424
W362424

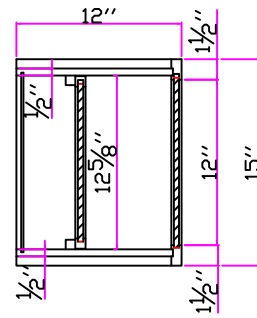
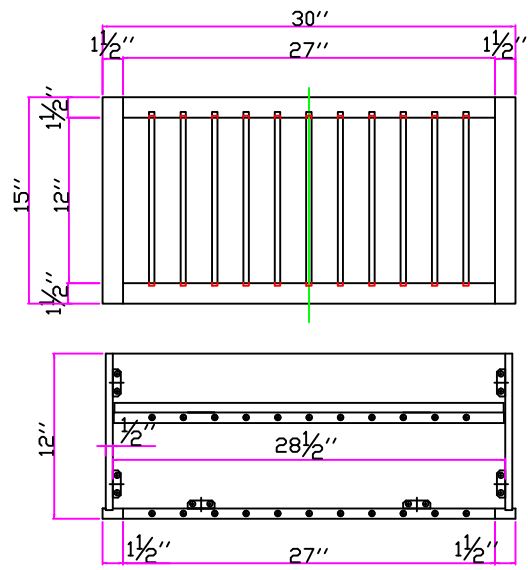


REVISIONS



DFG

WR3015



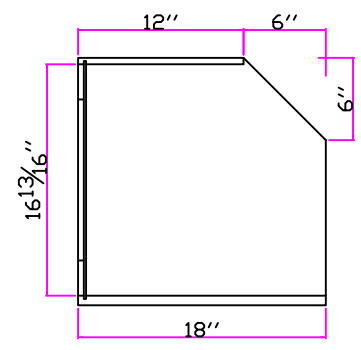
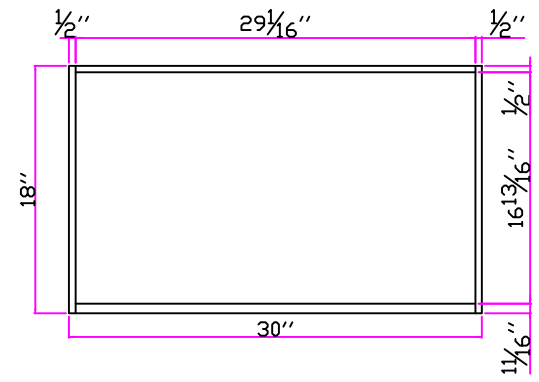
REVISIONS



DFG

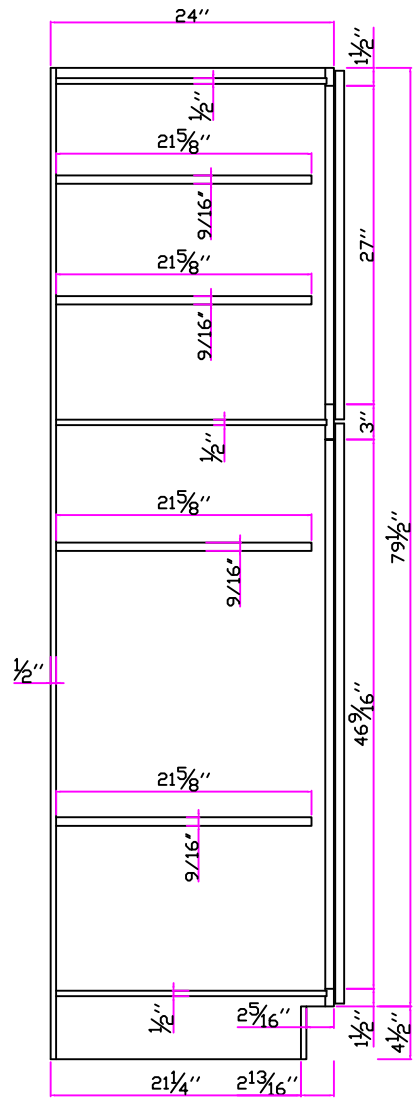
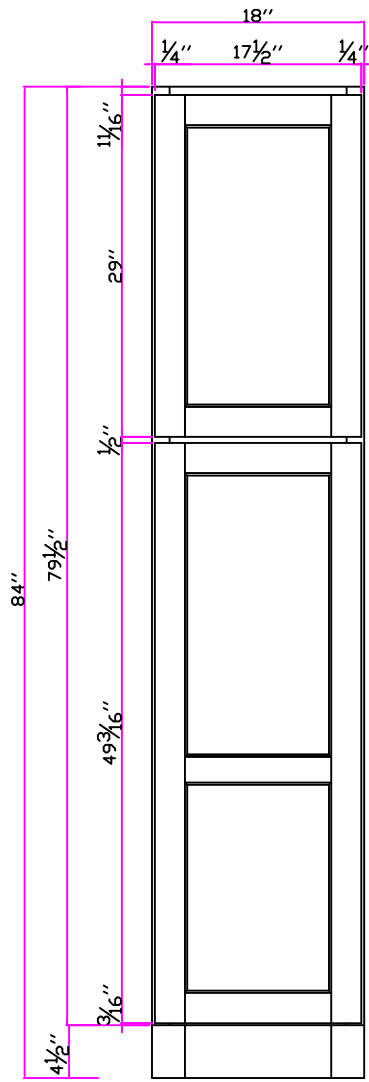
PR3015

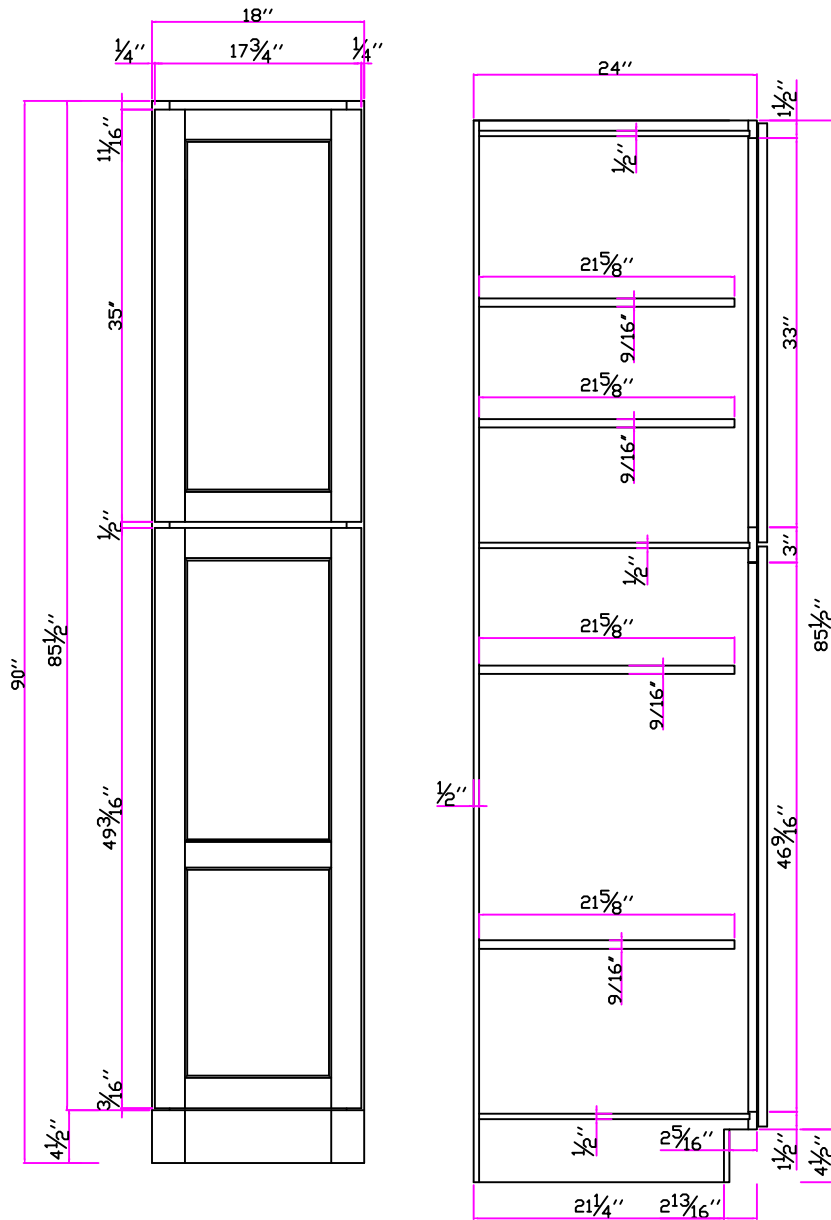
REVISIONS



DFG

MC3018

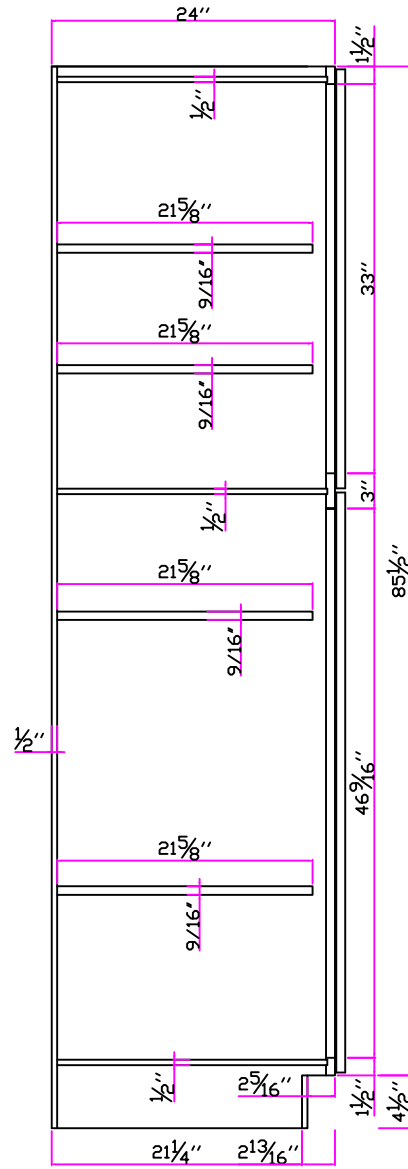
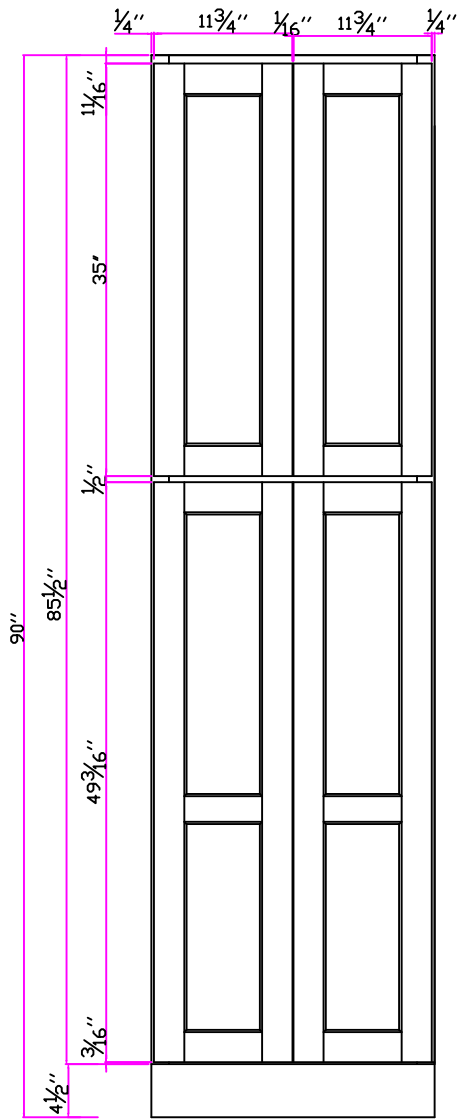




NORTHTIMBER
CABINETRY

DFG

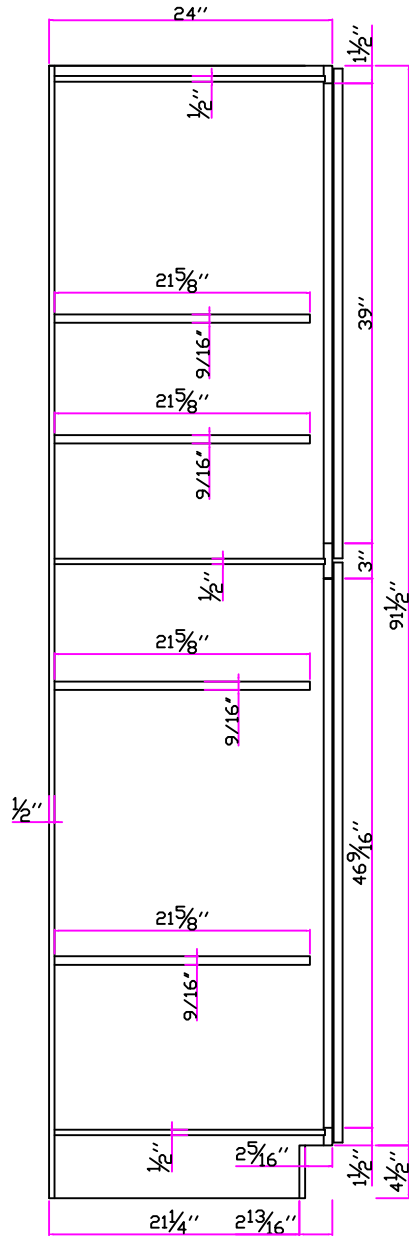
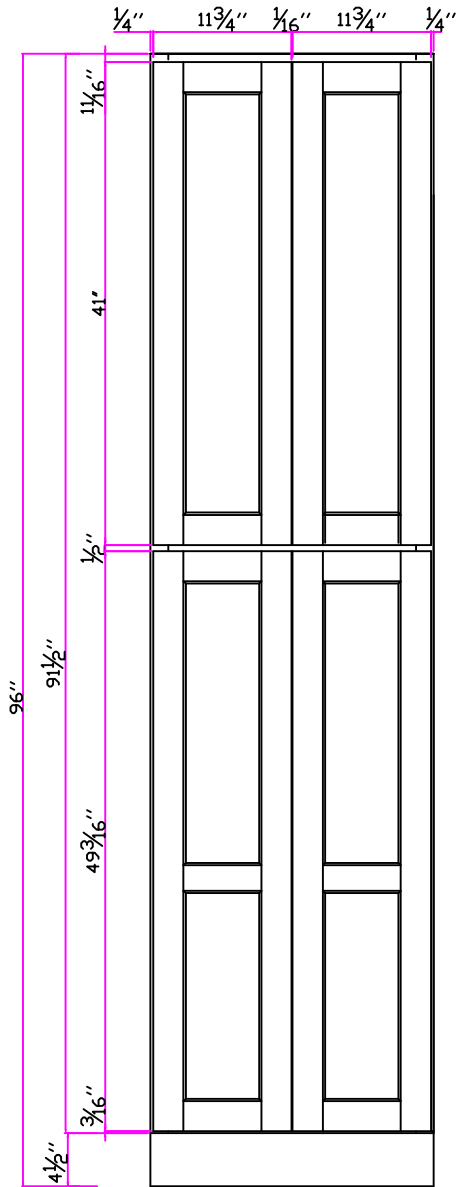
WP1890



NORTHTIMBER
CABINETS

DFG

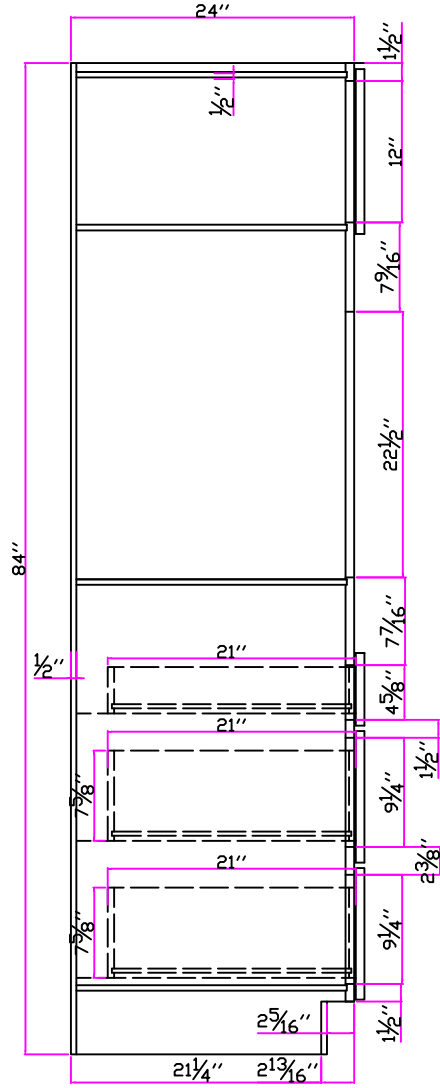
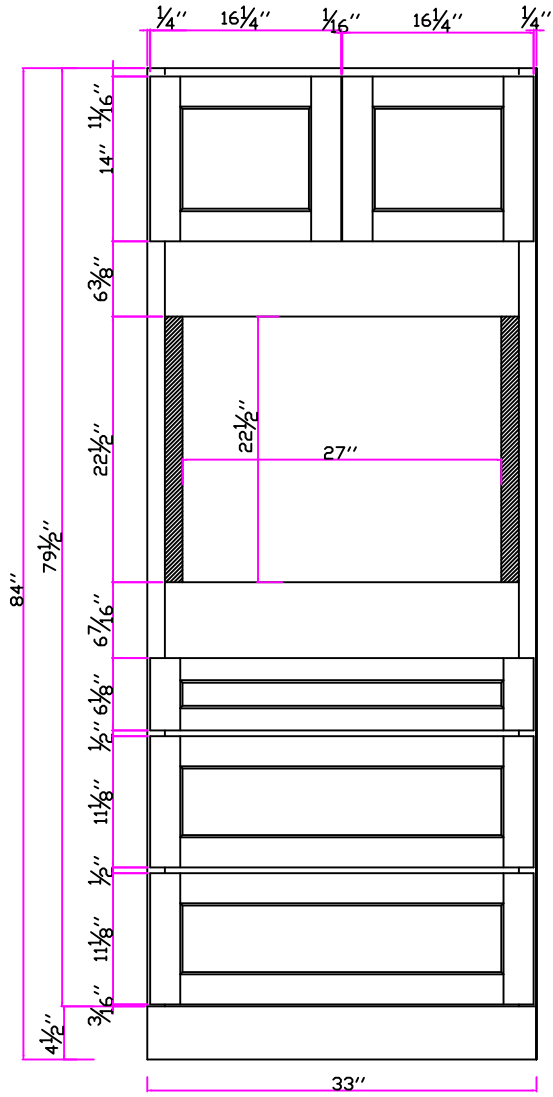
WP2490

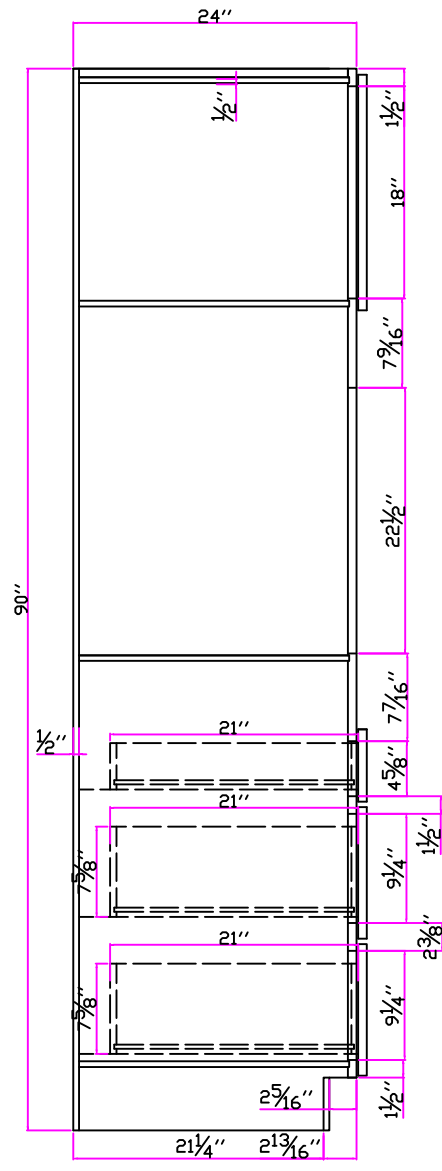
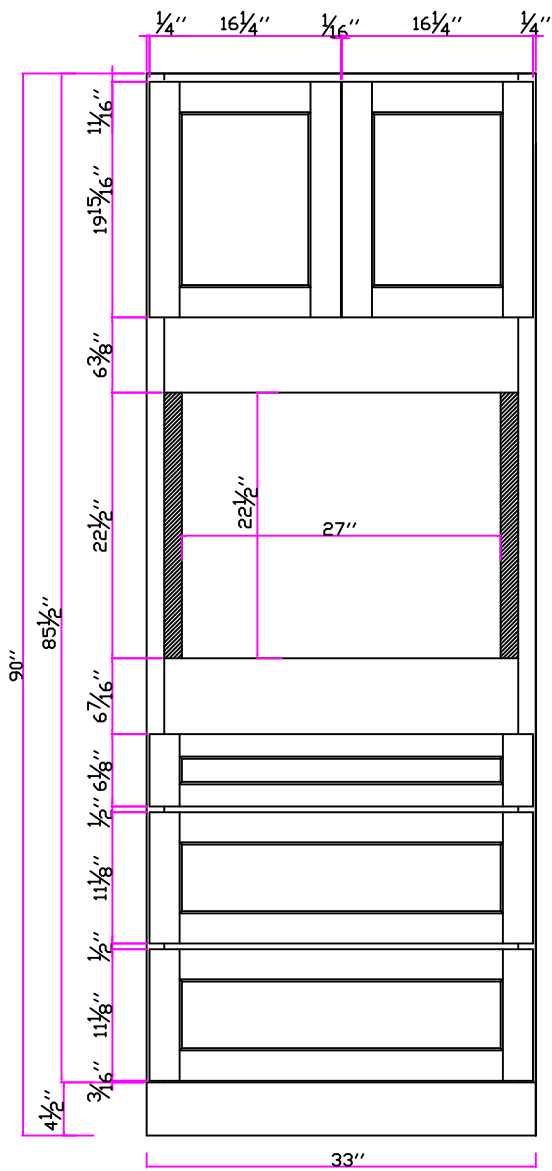


NORTHTIMBER
CABINETS

DFG

WP2496





DFG

OU332490