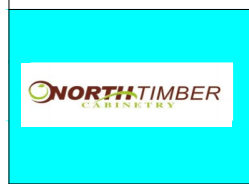
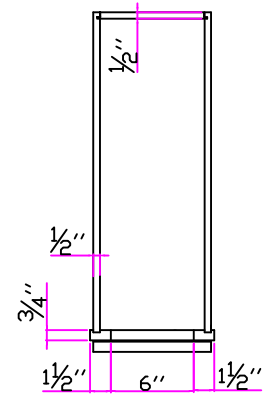
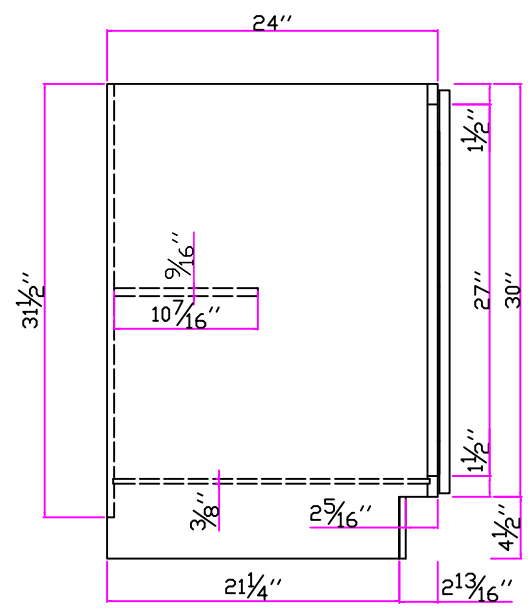
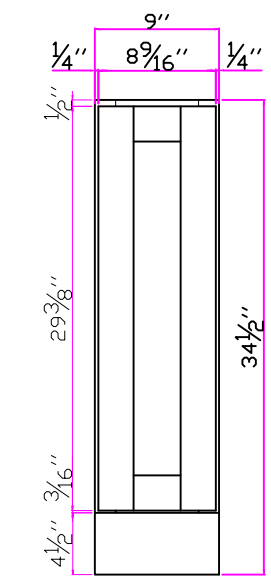


REVISIONS



NPH
NPE
NPM

B18-FH

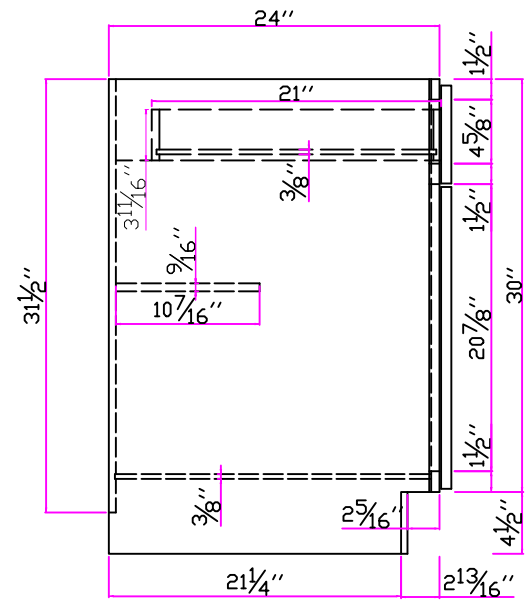
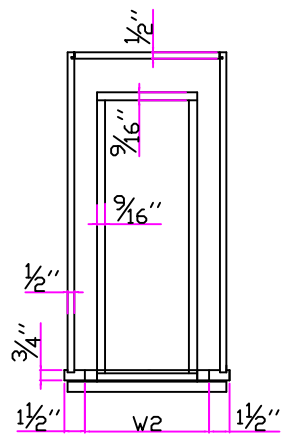
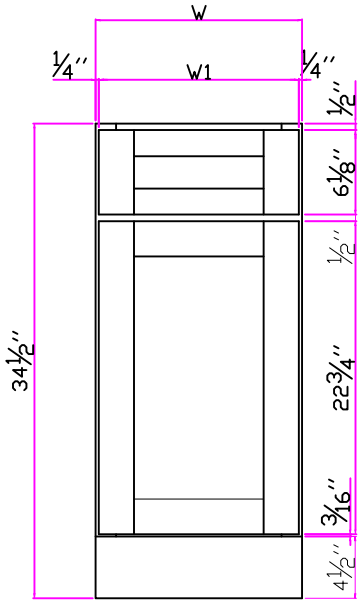


REVISIONS



NPH
NPE
NPM

B09-FH

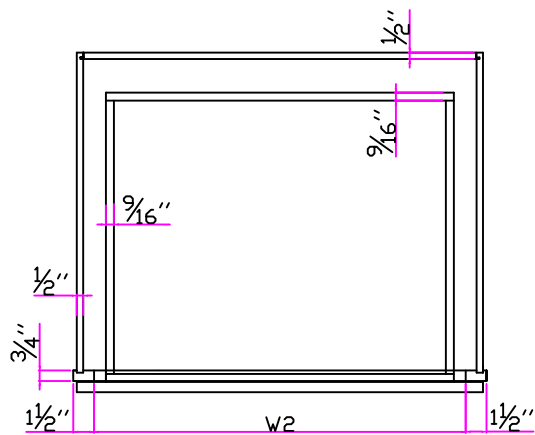
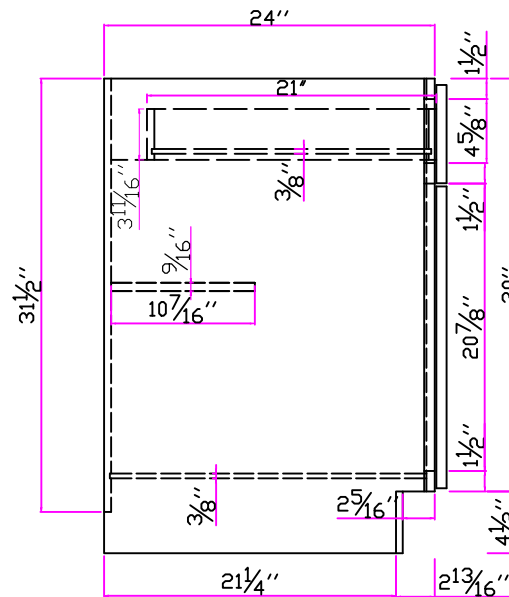
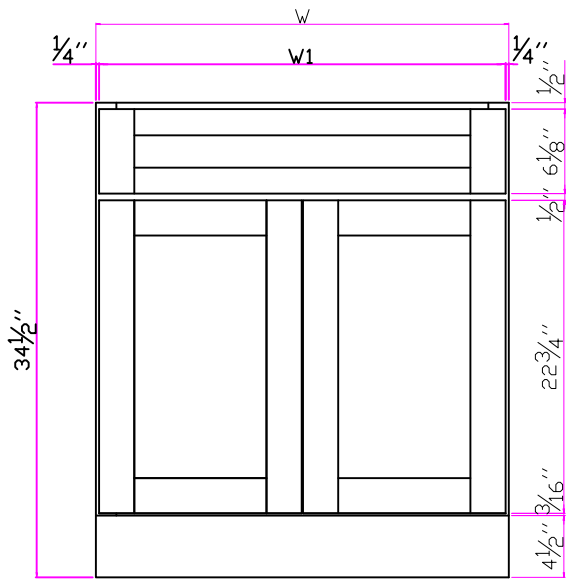


REVISIONS



NPH
NPE
NPM

B12-B21

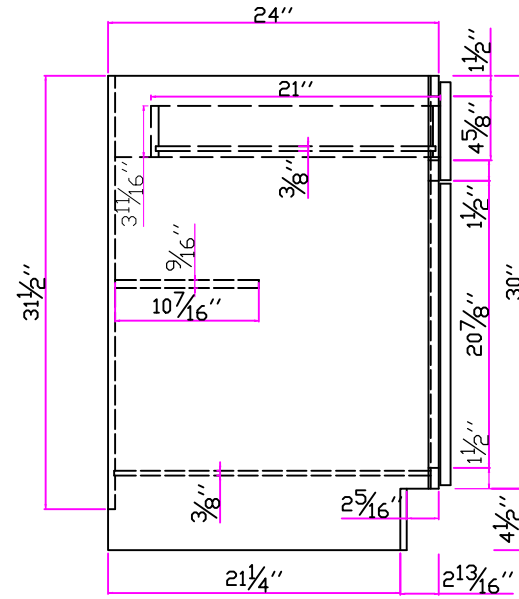
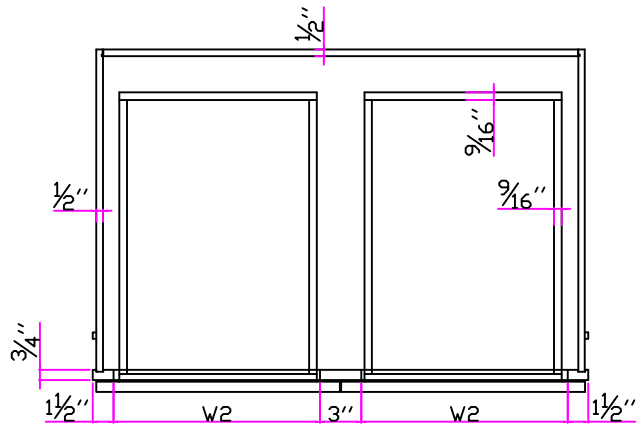
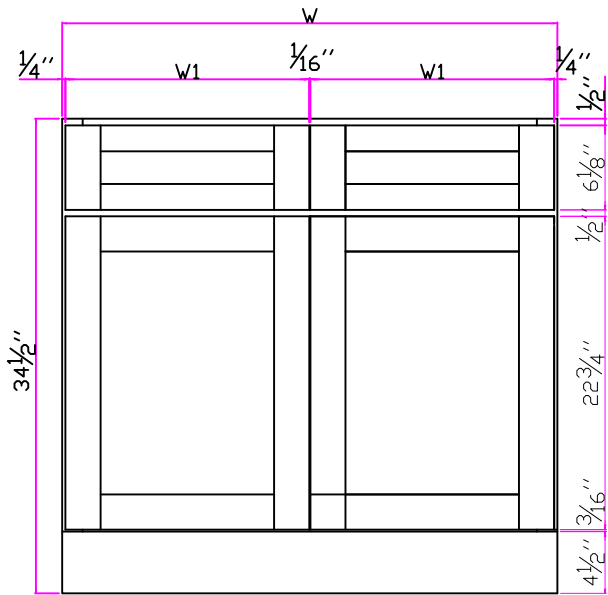


REVISIONS



**NPH
NPE
NPM**

B24-B30

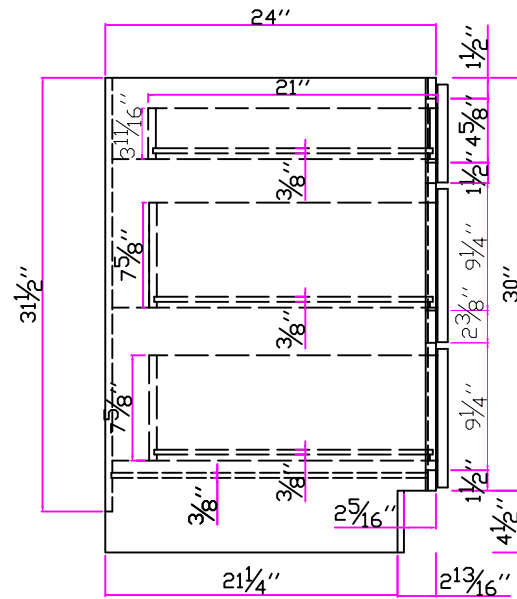
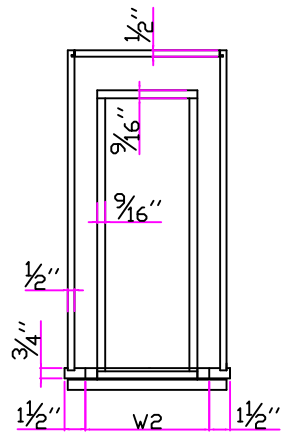
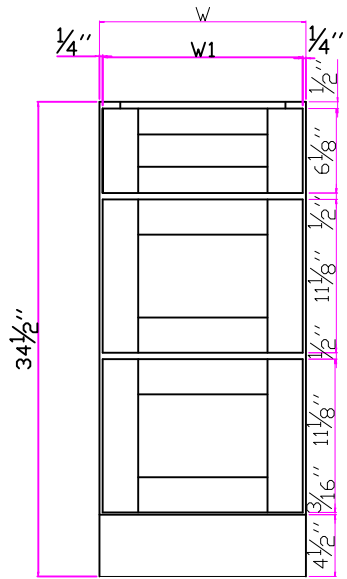


REVISIONS



**NPH
NPE
NPM**

B33-B36

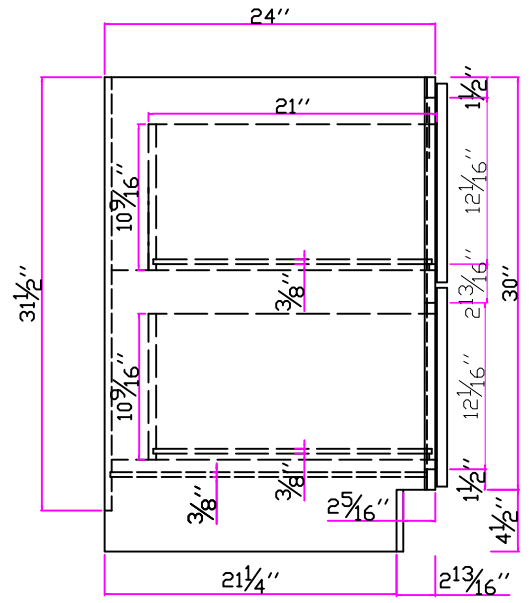
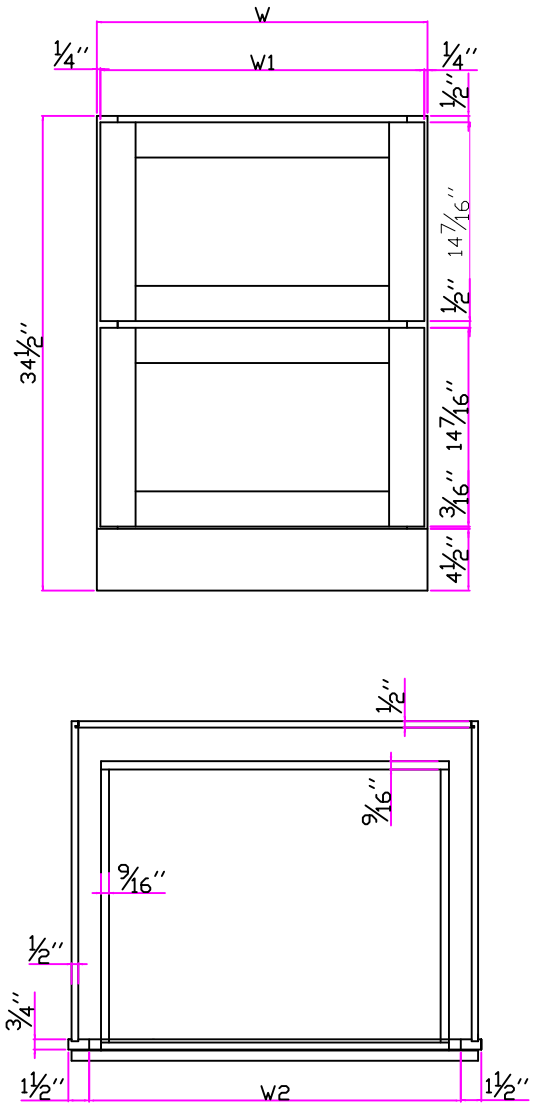


REVISIONS



**NPH
NPE
NPM**

DB15-DB30

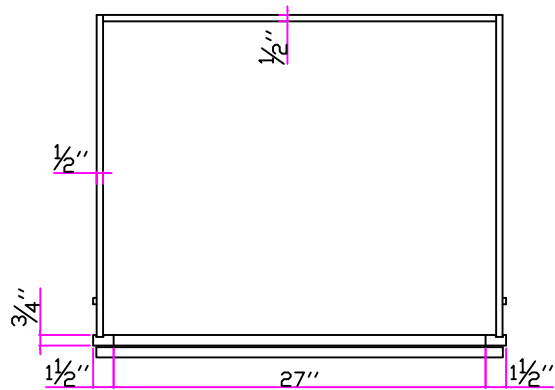
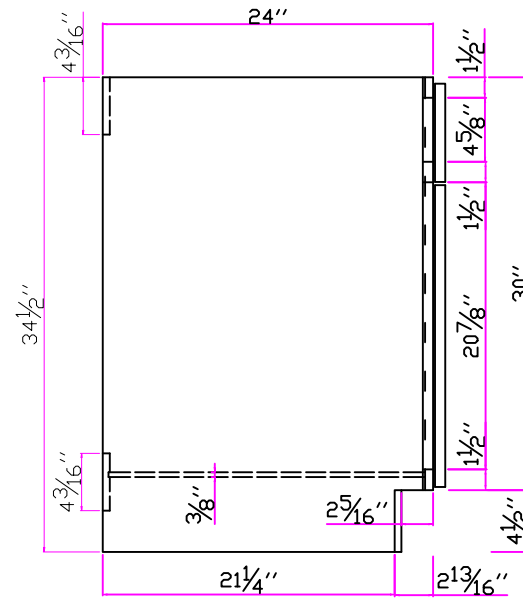
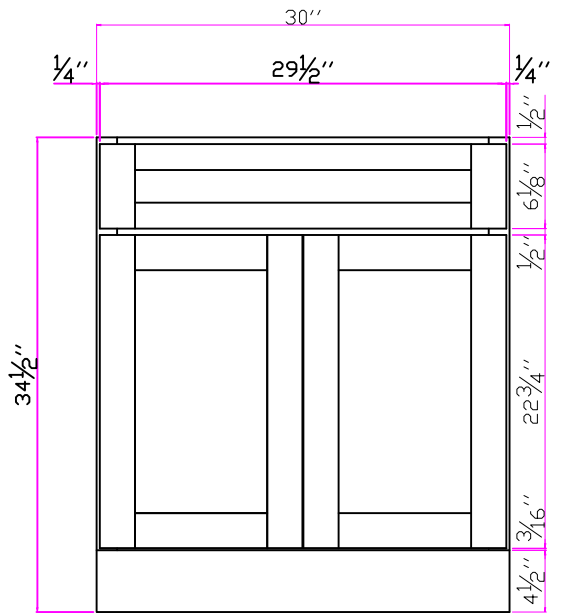


REVISIONS



NPH
NPE
NPM

DB24-2
DB30-2

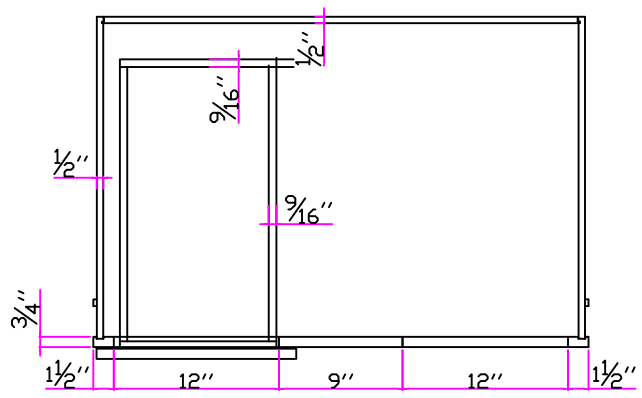
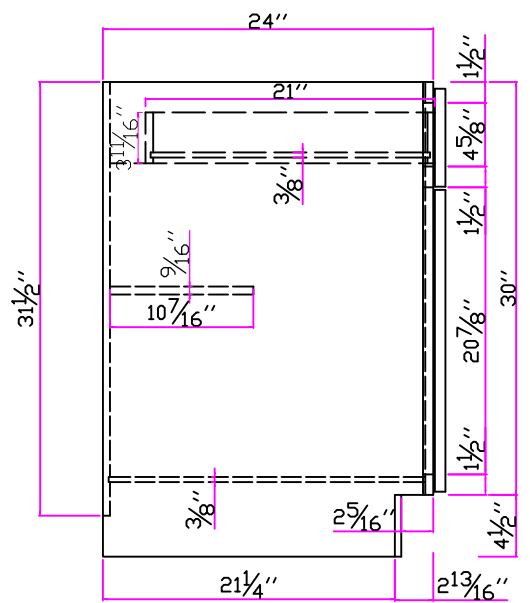
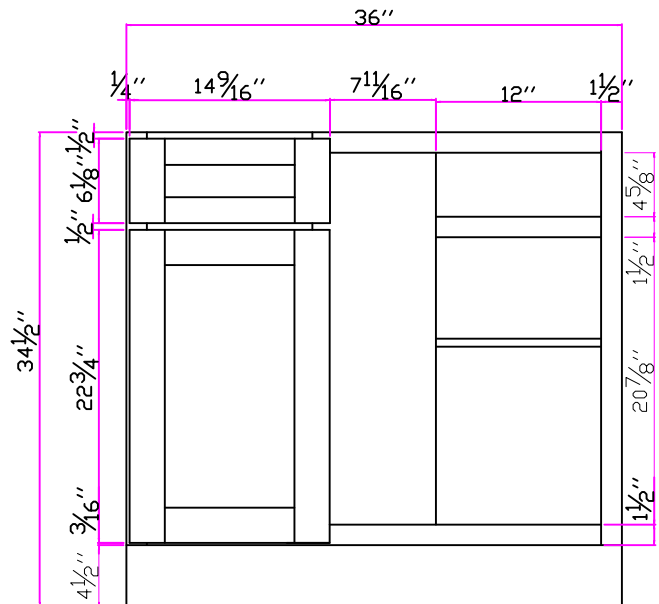


REVISIONS



NPH
NPE
NPM

SB30

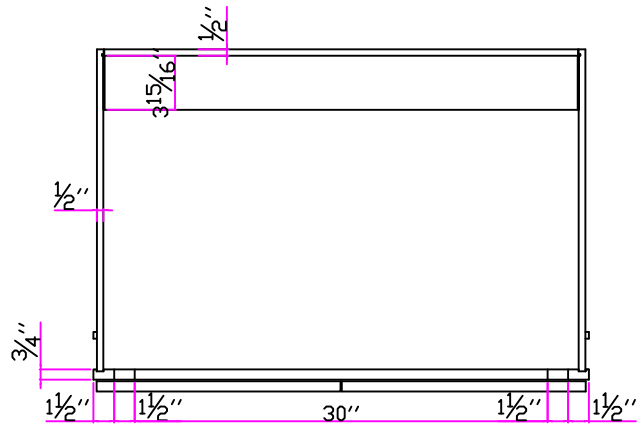
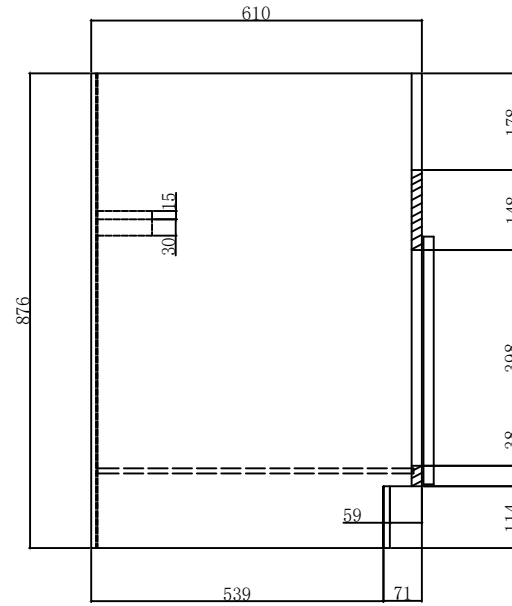
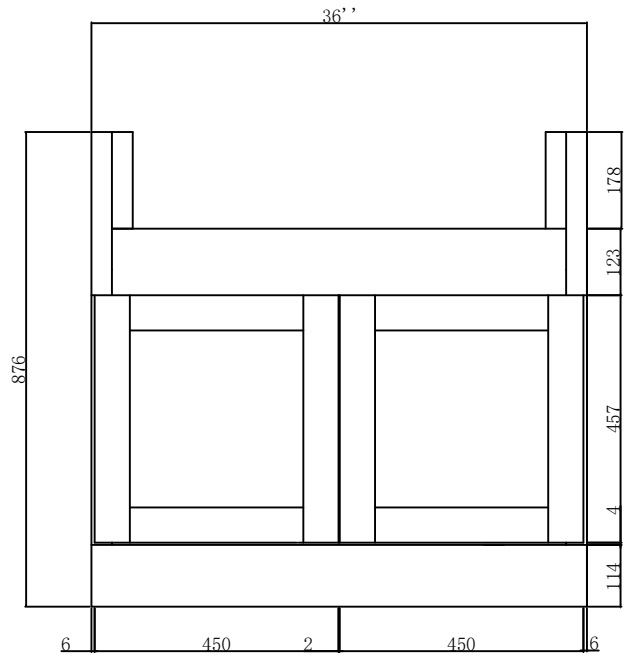


REVISIONS



NPH
NPE
NPM

BBC42-45

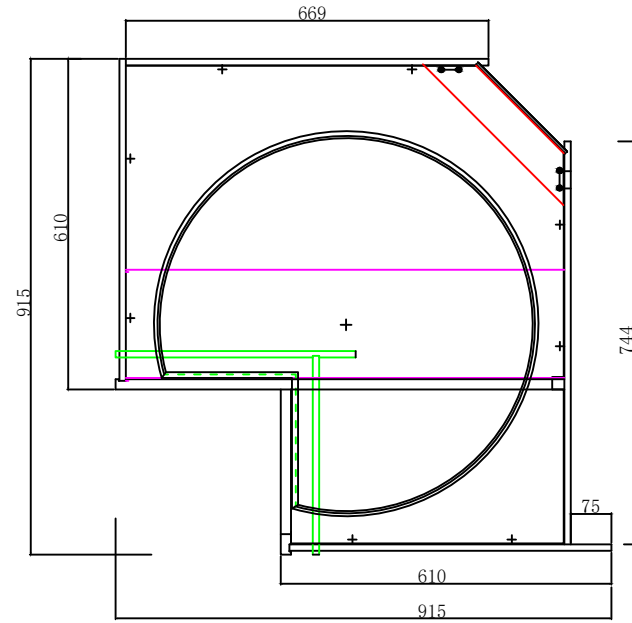
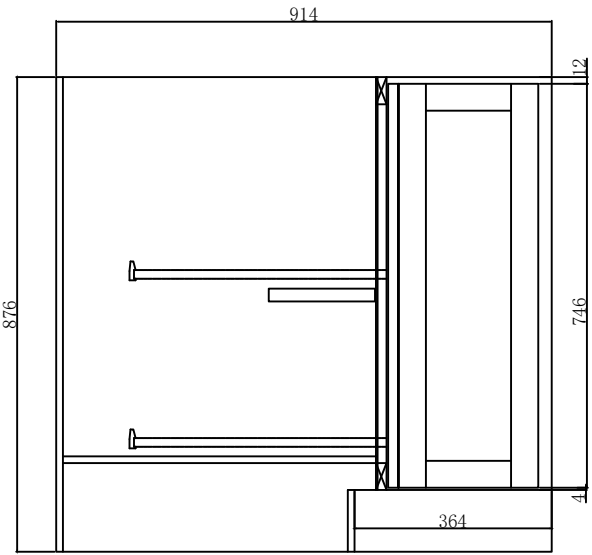


REVISIONS



NPH
NPE
NPM

FSB36

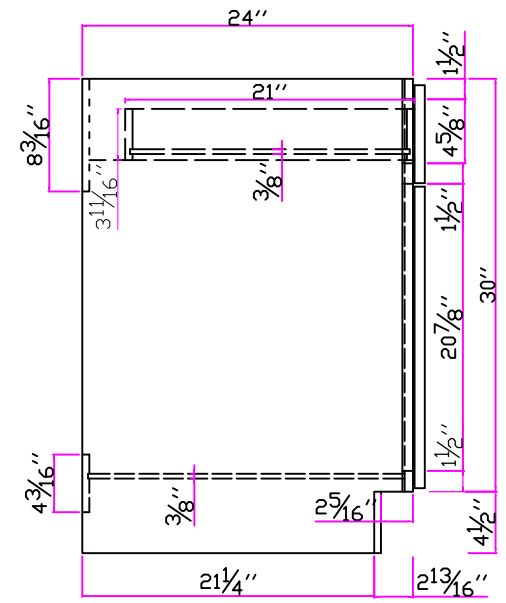
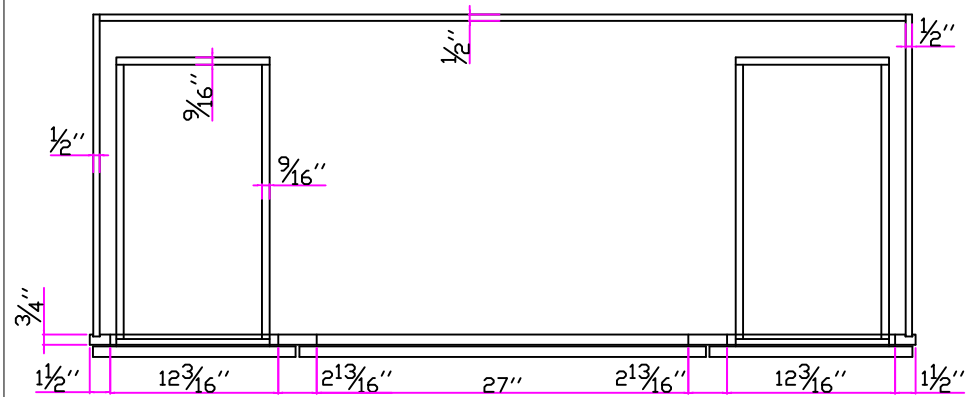
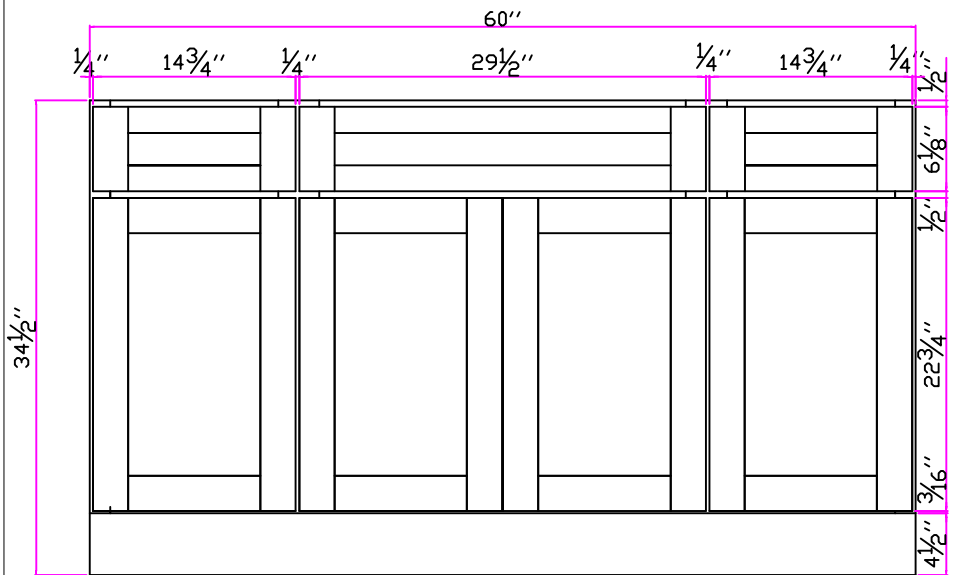


REVISIONS



NPH
NPE
NPM

DCB3612

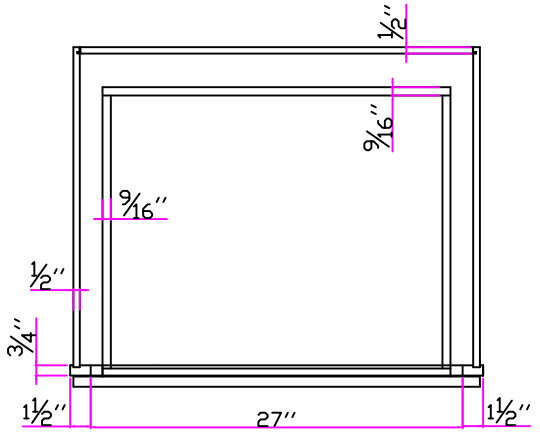
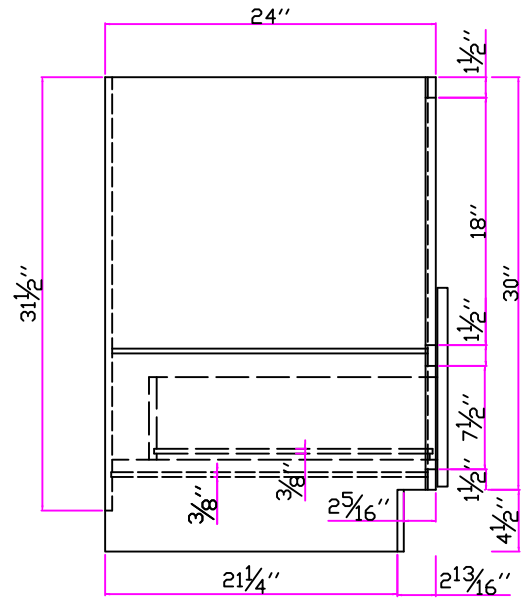
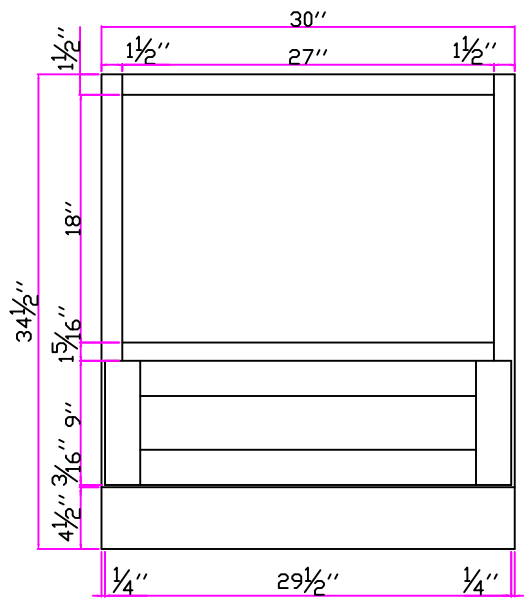


REVISIONS



NPH
NPE
NPM

SB60

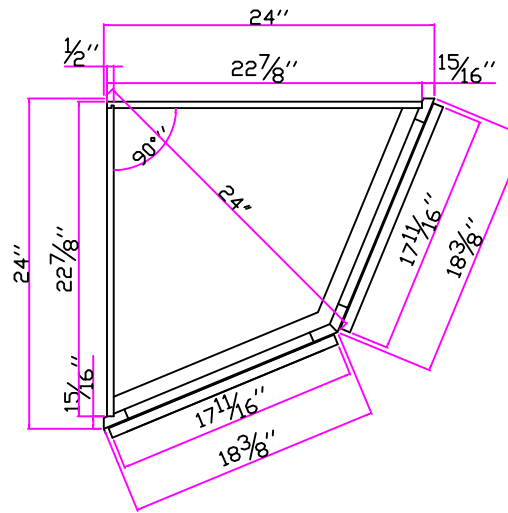
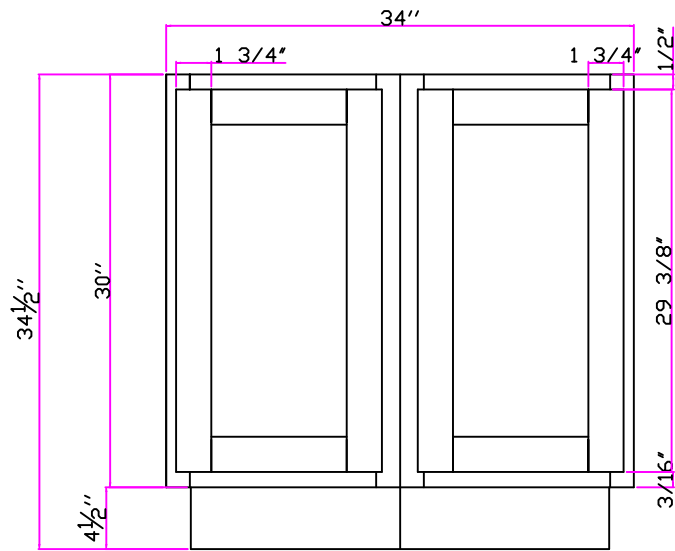


REVISIONS



NPH
NPE
NPM

MB30

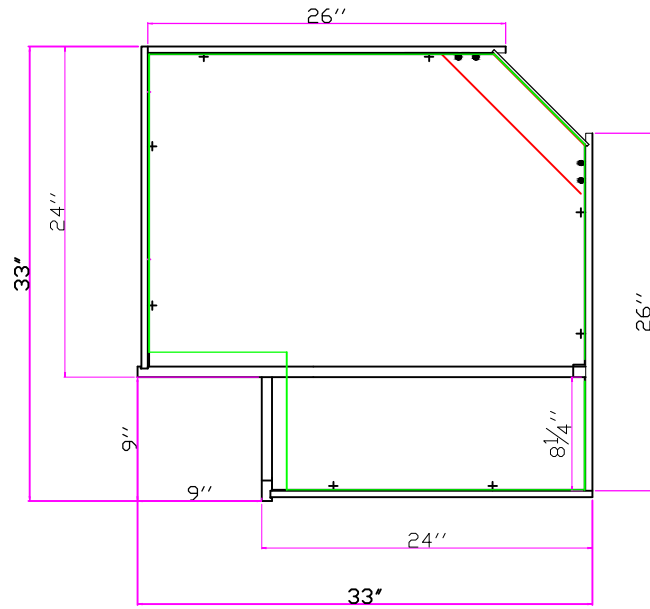
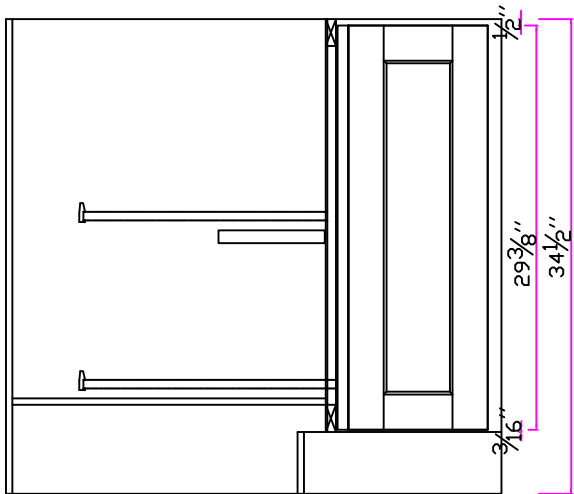


REVISIONS



NPH
NPE
NPM

BC24

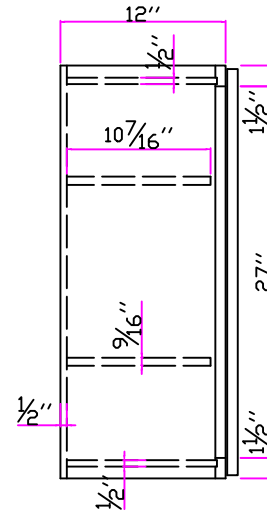
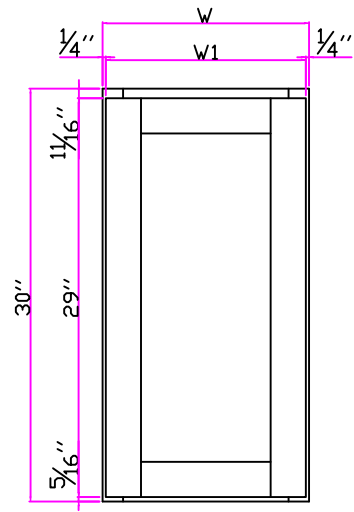


REVISIONS



NPH
NPE
NPM

ER3309

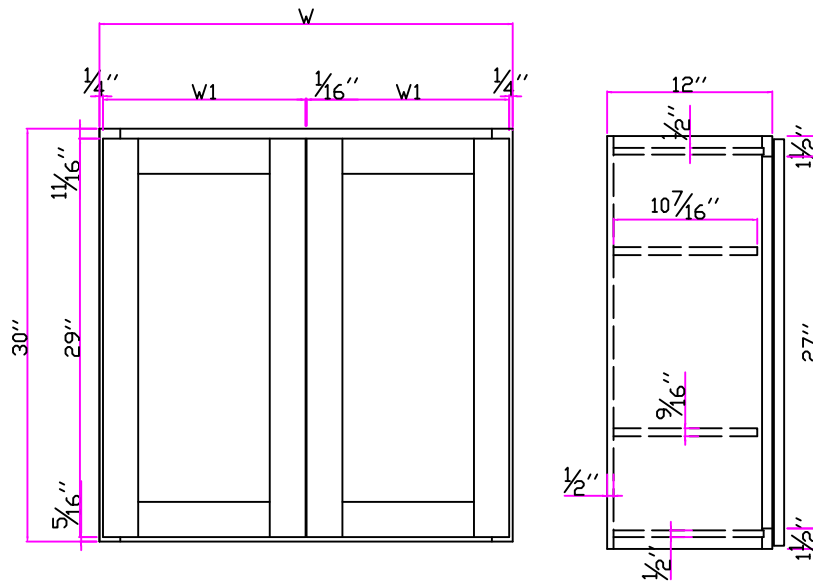


REVISIONS



NPH
NPE
NPM

W0930-W2130

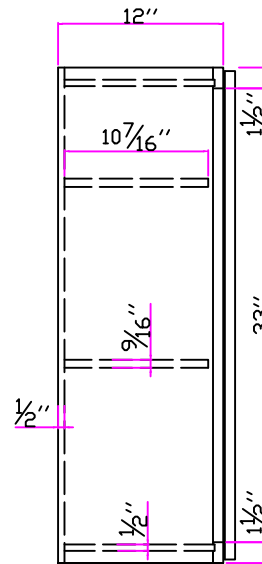
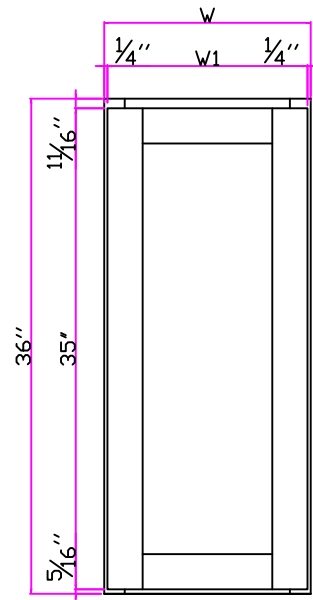


REVISIONS



NPH
NPE
NPM

W2430-W3630

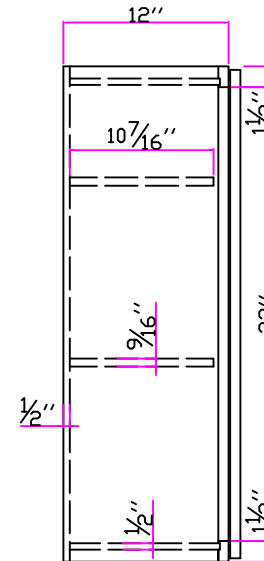
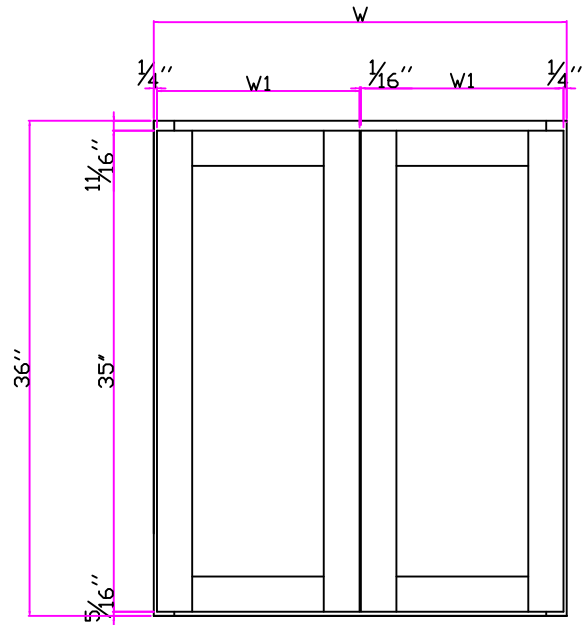


REVISIONS



NPH
NPE
NPM

W0936-2136

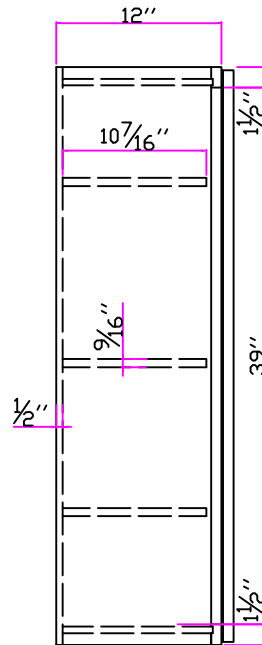
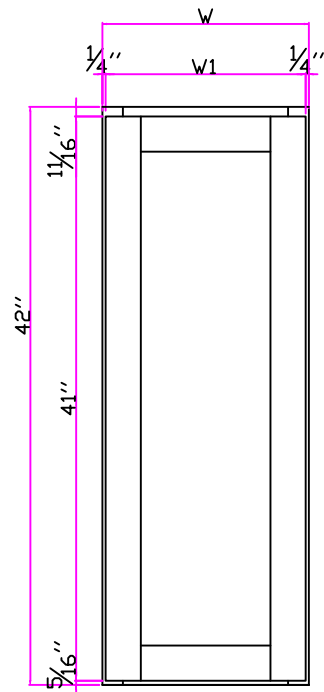


REVISIONS



NPH
NPE
NPM

W2436-W3636

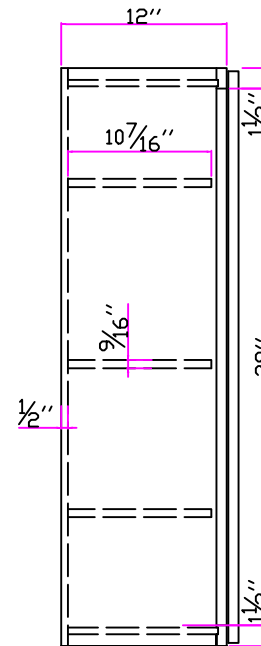
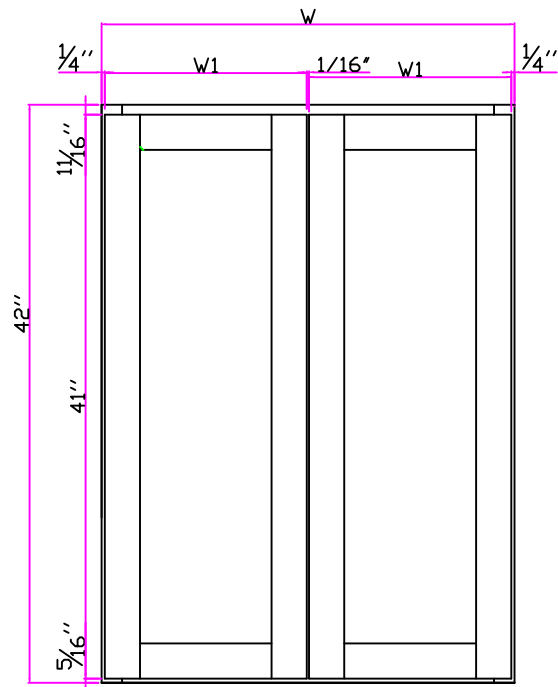


REVISIONS



NPH
NPE
NPM

W0942-W2142

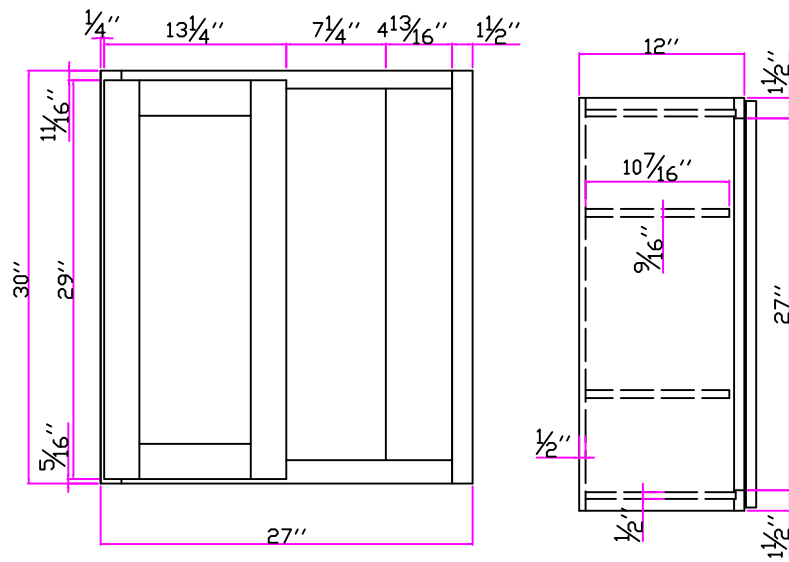


REVISIONS



NPH
NPE
NPM

W2442-W3642

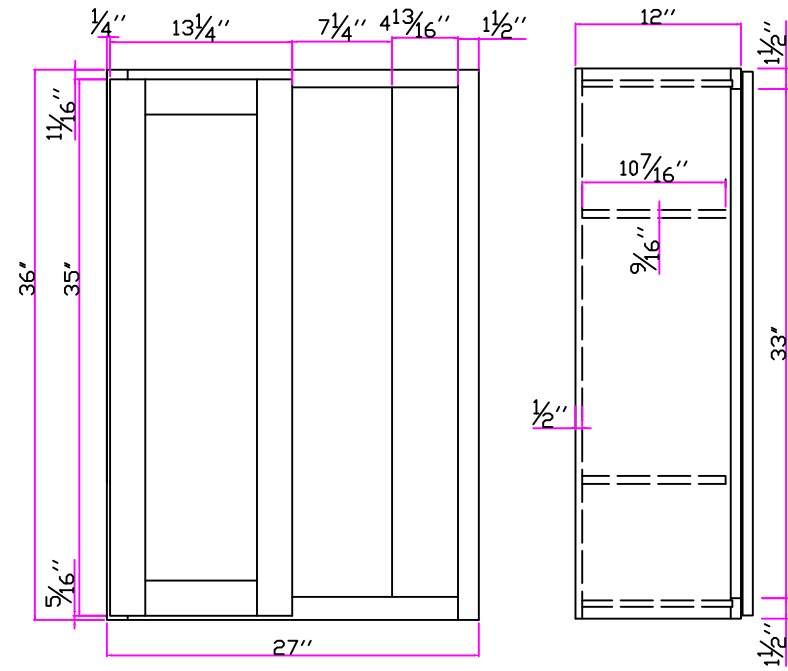


REVISIONS



NPH
NPE
NPM

WBC2730

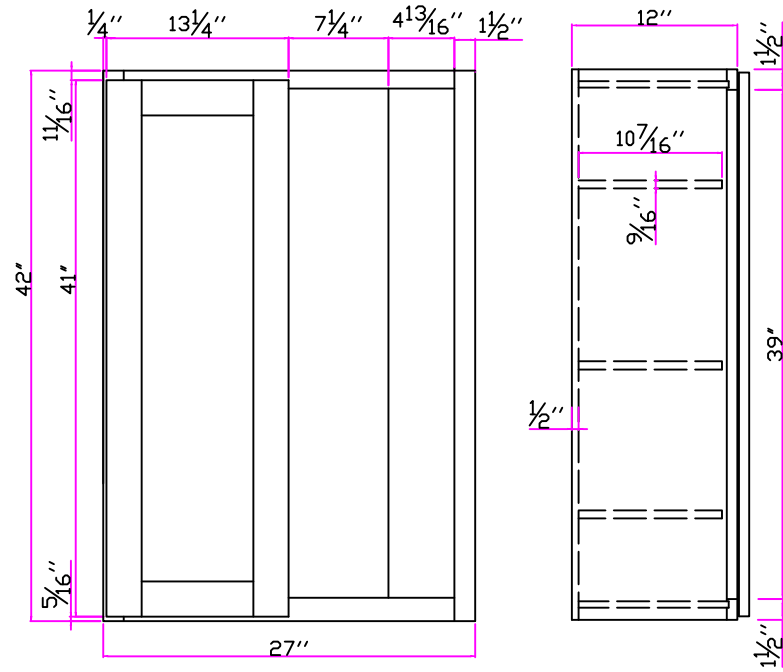


REVISIONS



**NPH
NPE
NPM**

WBC2736

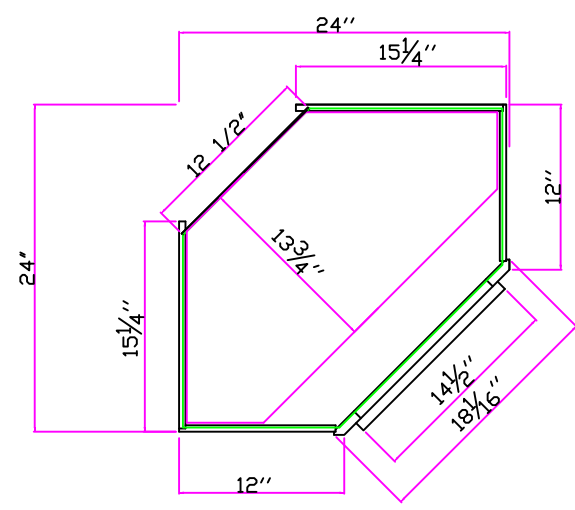
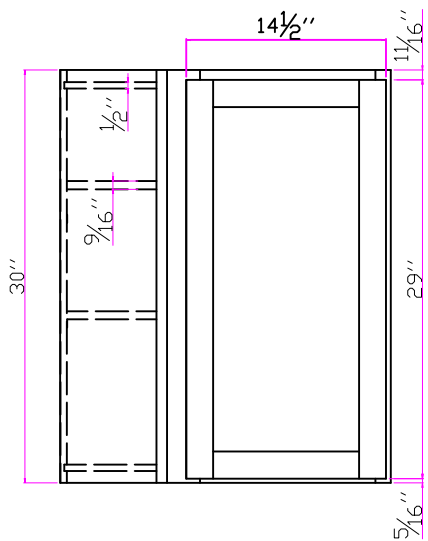


REVISIONS



NPH
NPE
NPM

WBC2742

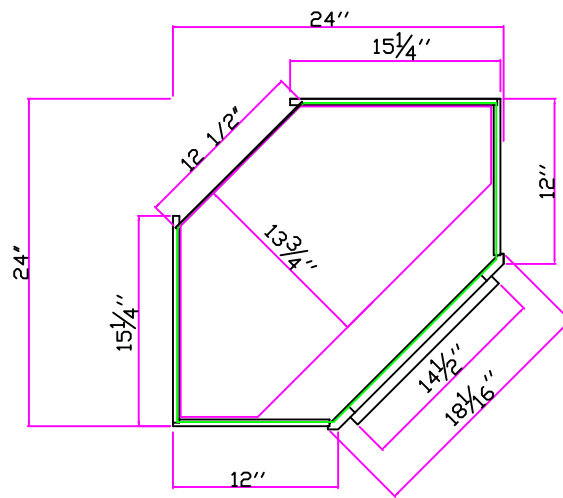
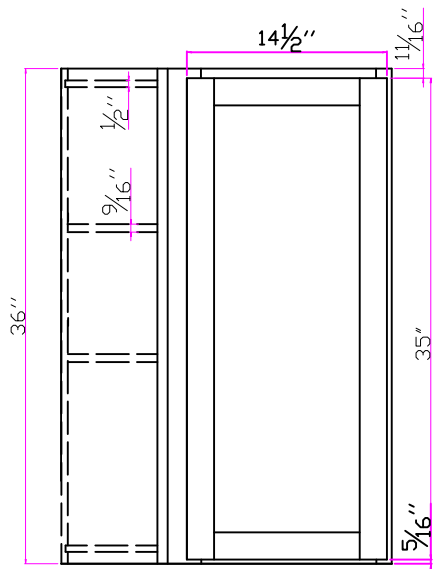


REVISIONS



NPH
NPE
NPM

WDC2430

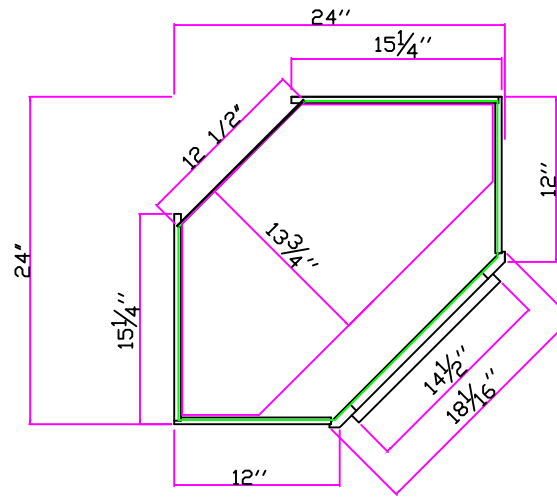
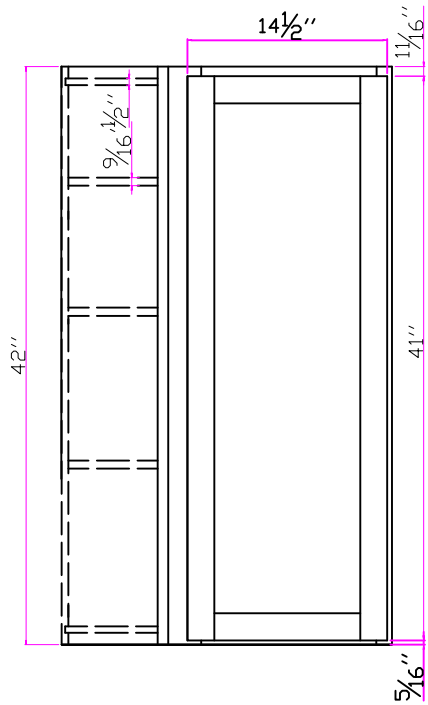


REVISIONS



NPH
NPE
NPM

WDC2436

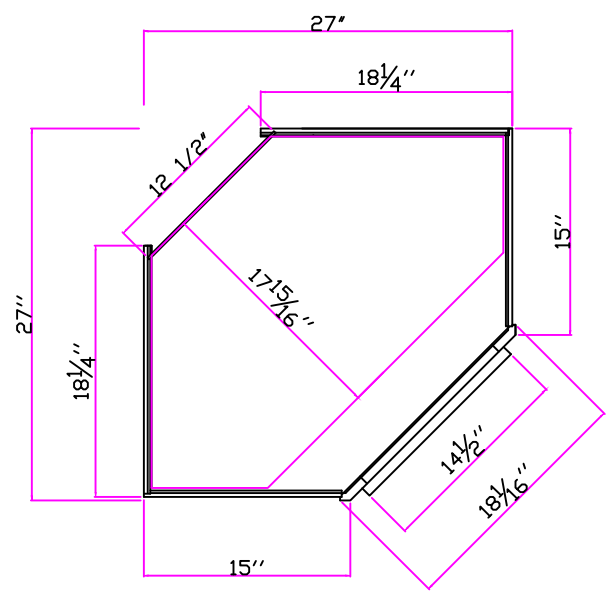
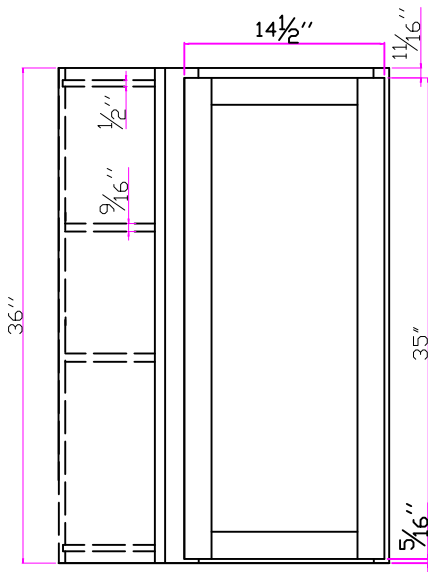


REVISIONS



NPH
NPE
NPM

WDC2442

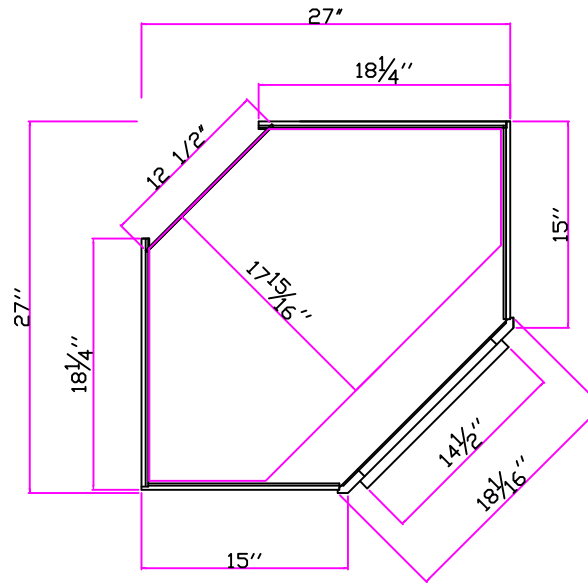
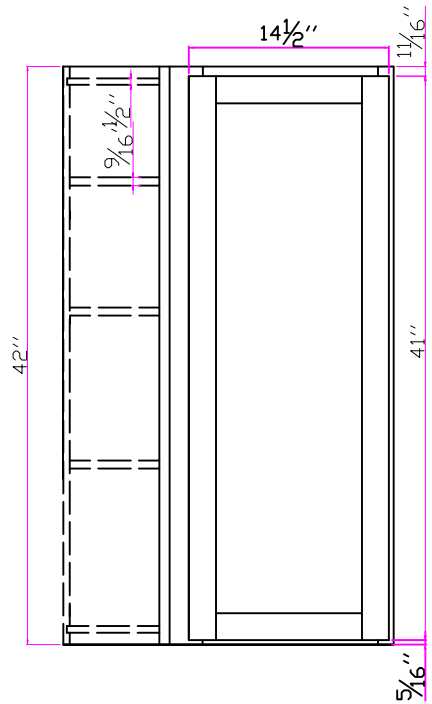


REVISIONS



NPH
NPE
NPM

WDC2736

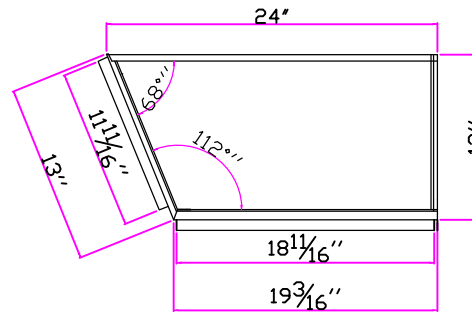
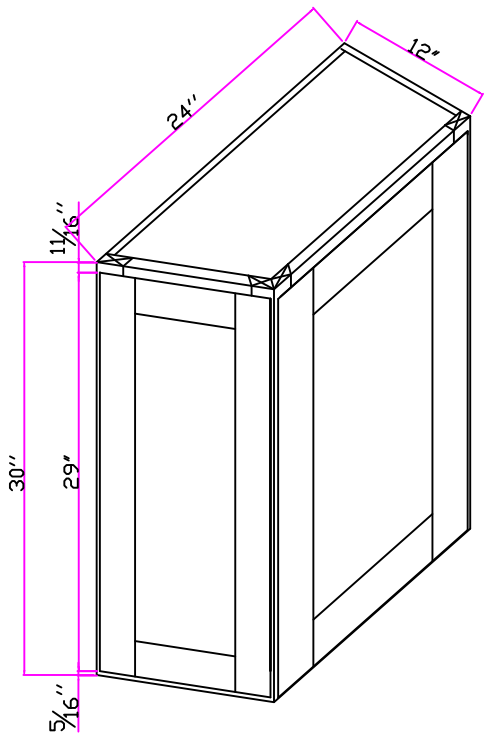


REVISIONS



NPH
NPE
NPM

WDC2742

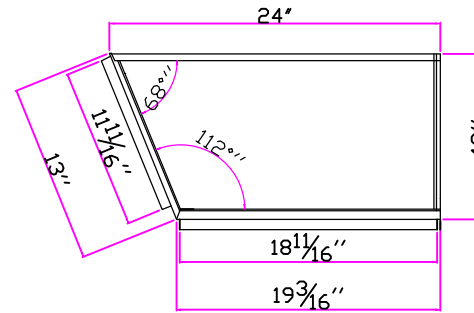
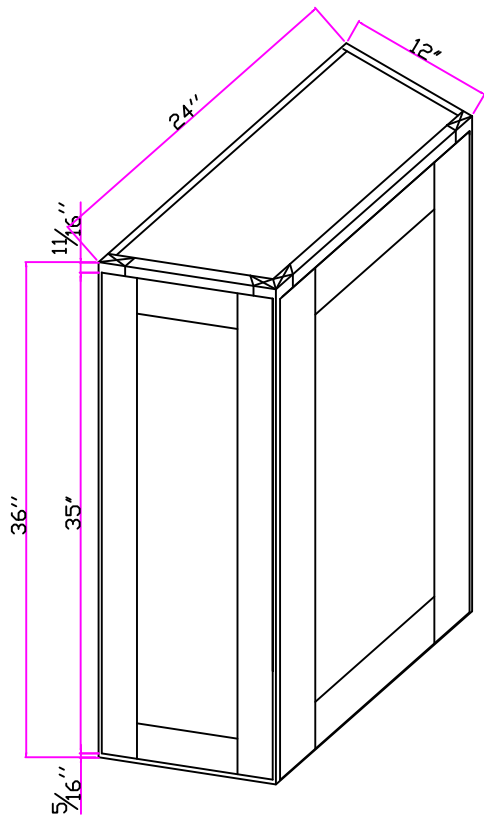


REVISIONS



NPH
NPE
NPM

WAC2430

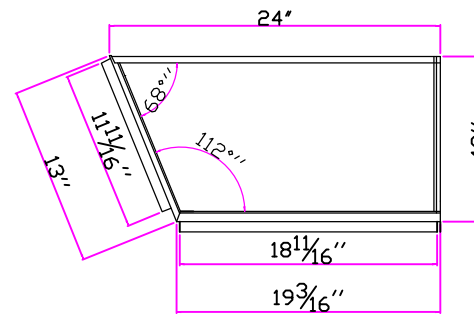
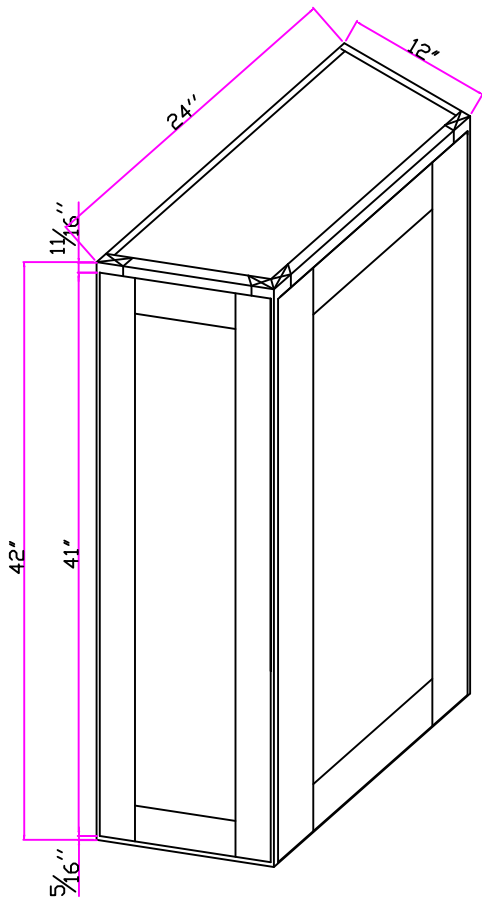


REVISIONS



NPH
NPE
NPM

WAC2436

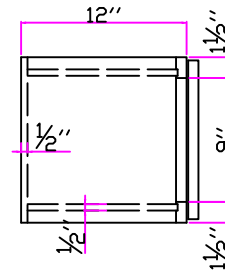
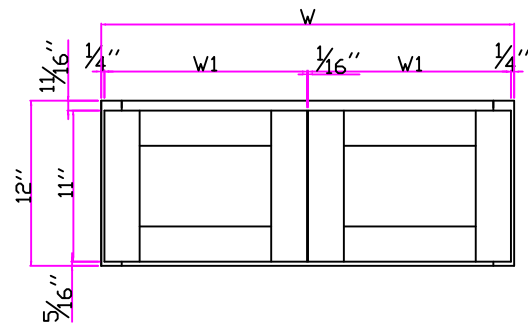


REVISIONS



NPH
NPE
NPM

WAC2442

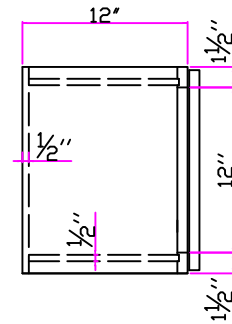
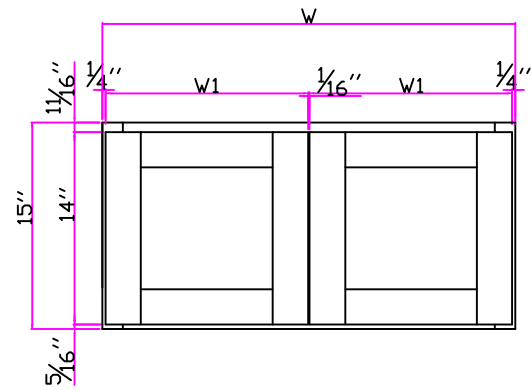


REVISIONS



NPH
NPE
NPM

W3012-W3612

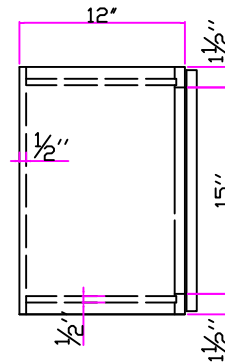
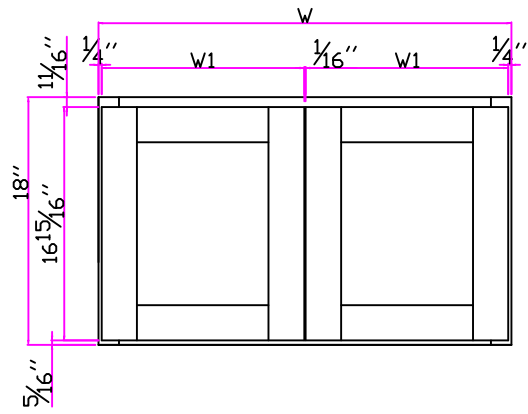


REVISIONS



NPH
NPE
NPM

W2415-W3615

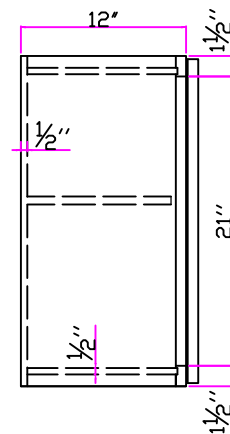
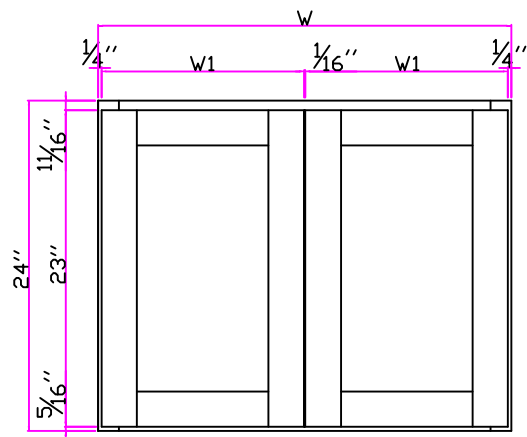


REVISIONS



NPH
NPE
NPM

W3018-W3618

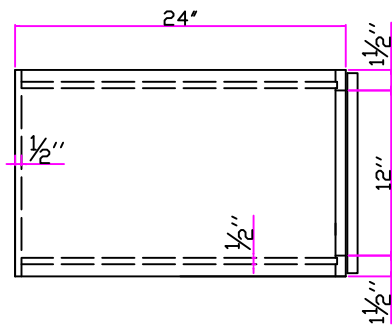
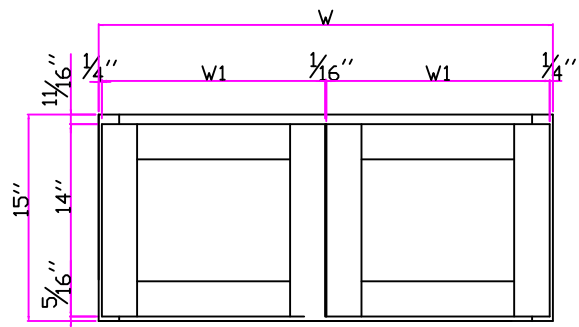


REVISIONS

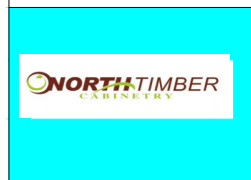


NPH
NPE
NPM

W3024-W3624



REVISIONS



NPH
NPE
NPM

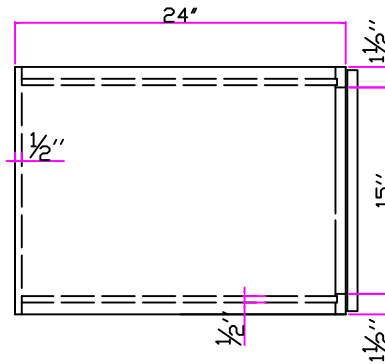
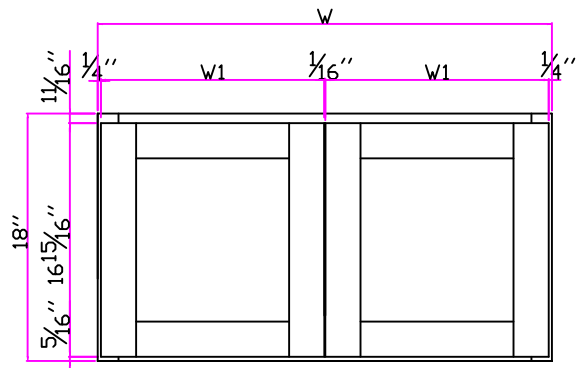
W331524
W361524

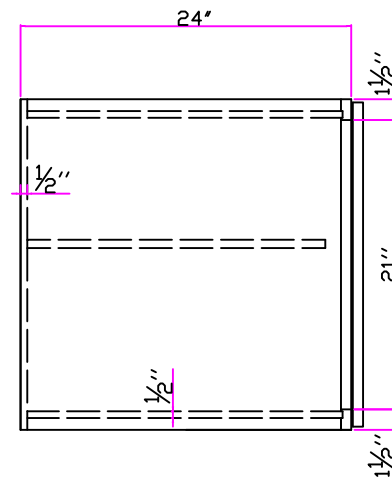
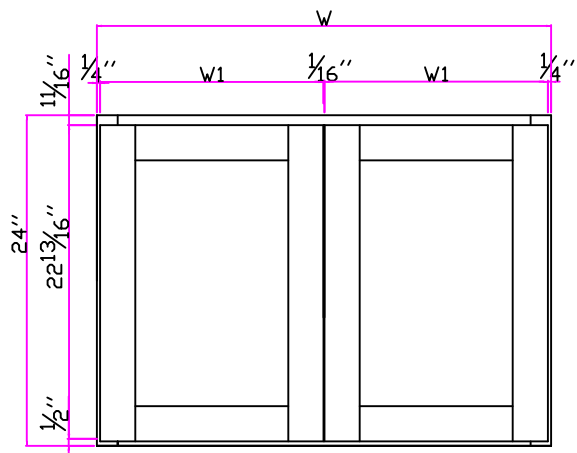
REVISIONS



NPH
NPE
NPM

W331824
W361824



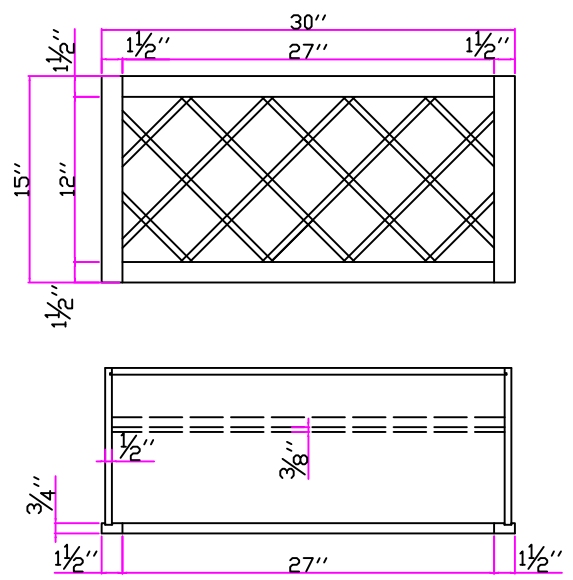


REVISIONS



NPH
NPE
NPM

W332424
W362424

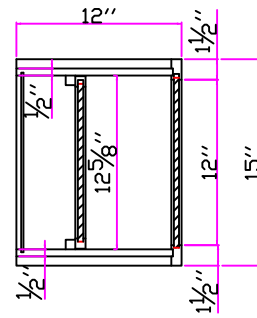
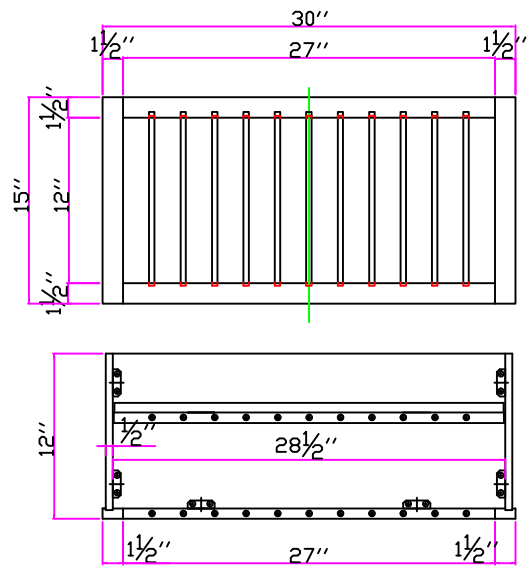


REVISIONS



**NPH
NPE
NPM**

WR3015



REVISIONS



**NPH
NPE
NPM**

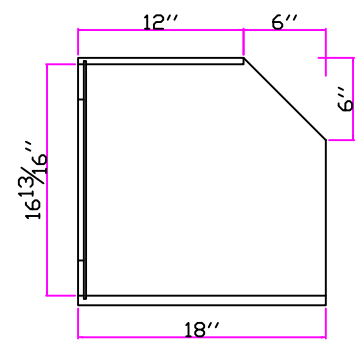
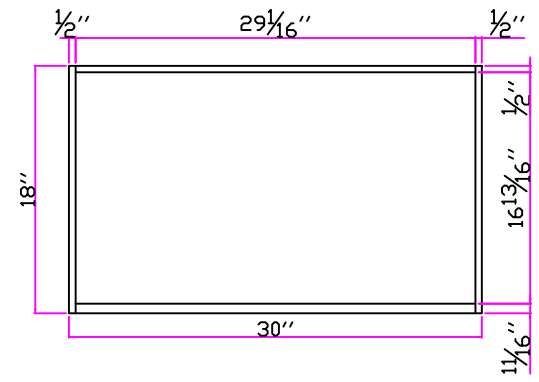
PR3015

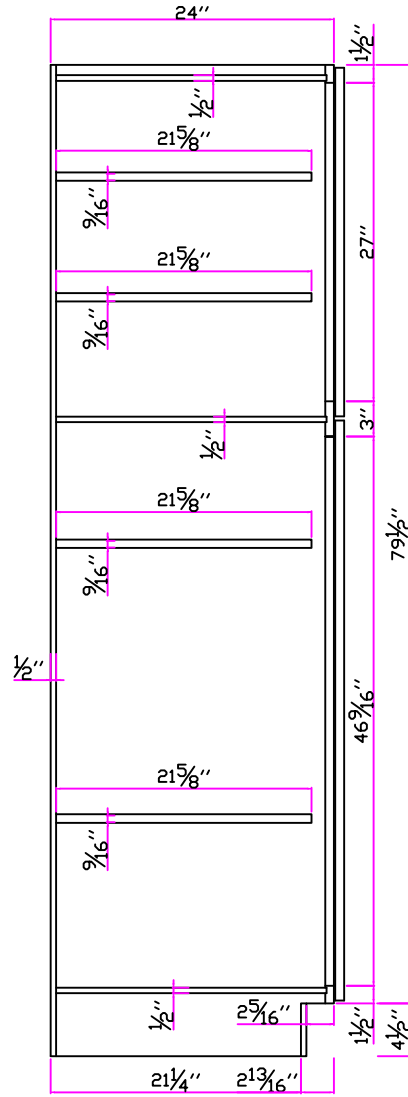
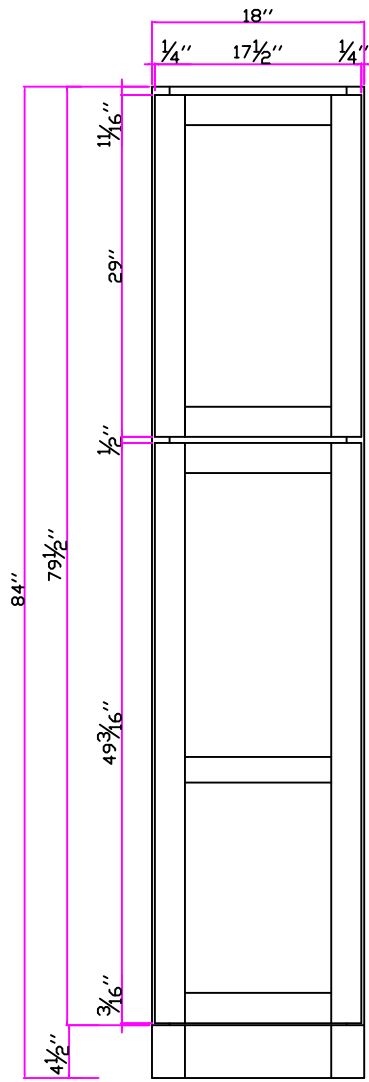
REVISIONS



NPH
NPE
NPM

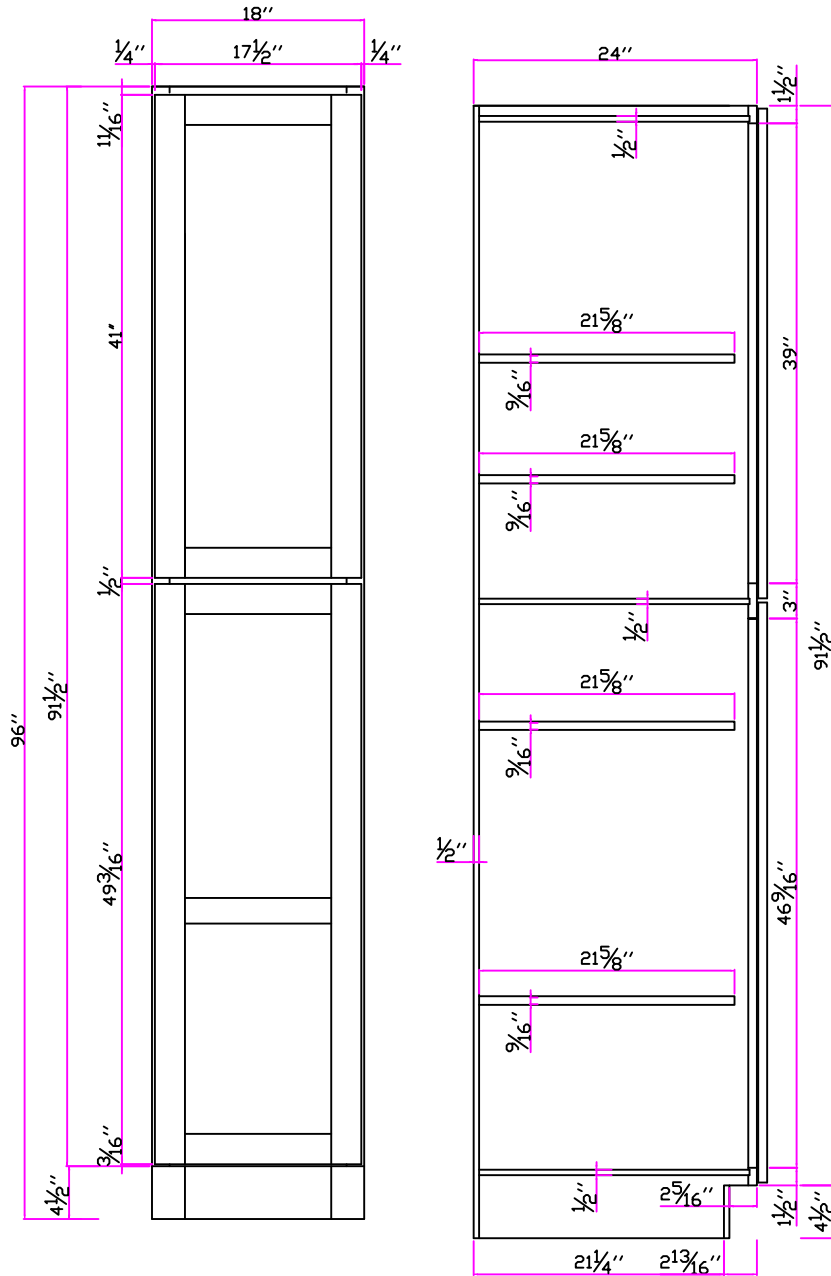
MC3018





NPH
NPE
NPM

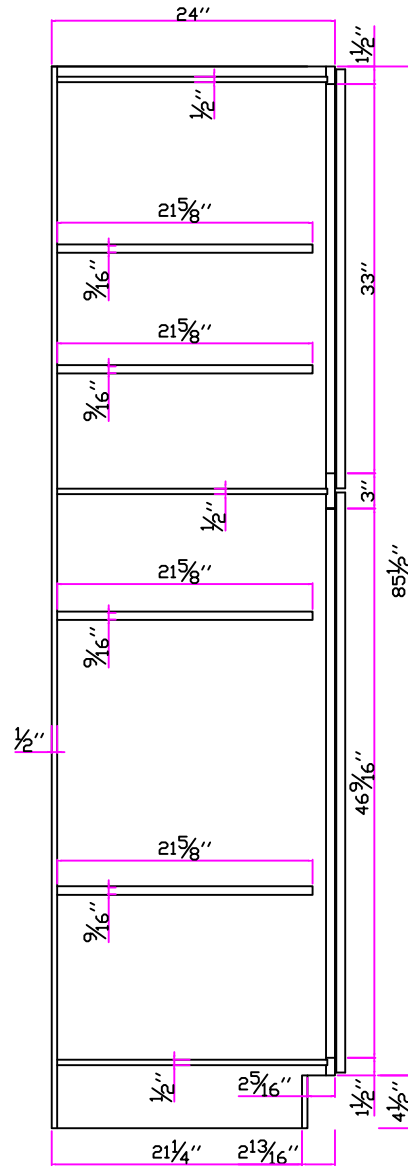
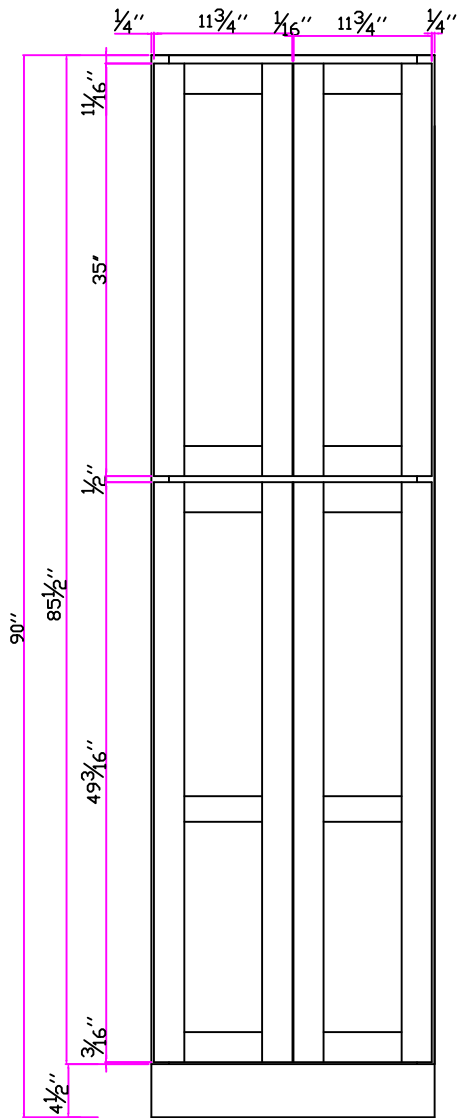
WP1884



NORTHTIMBER
CABINETS

NPH
NPE
NPM

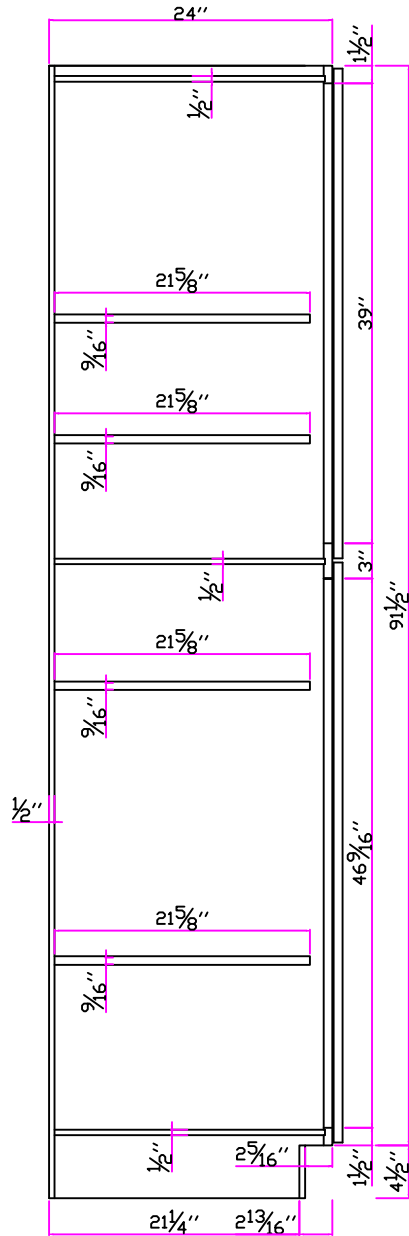
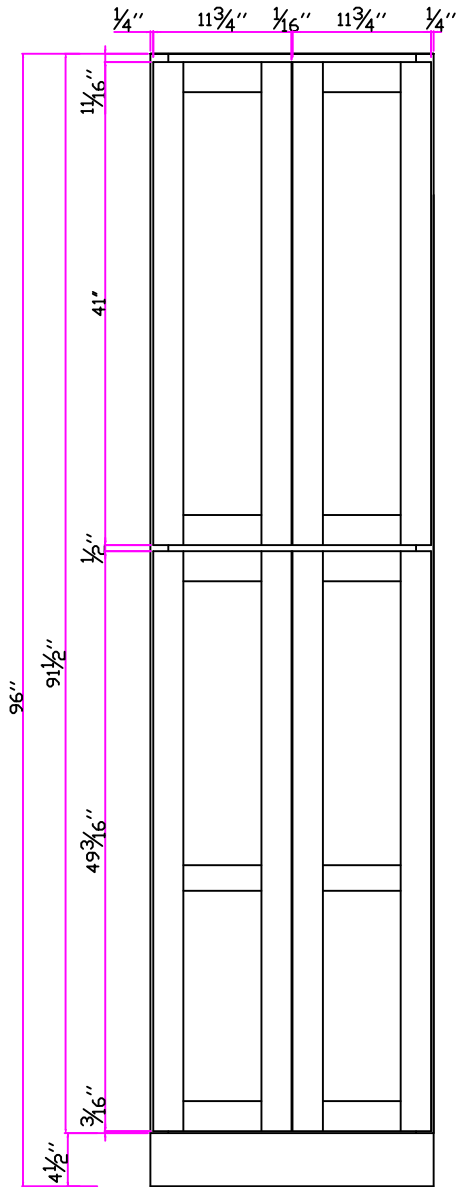
WP1896

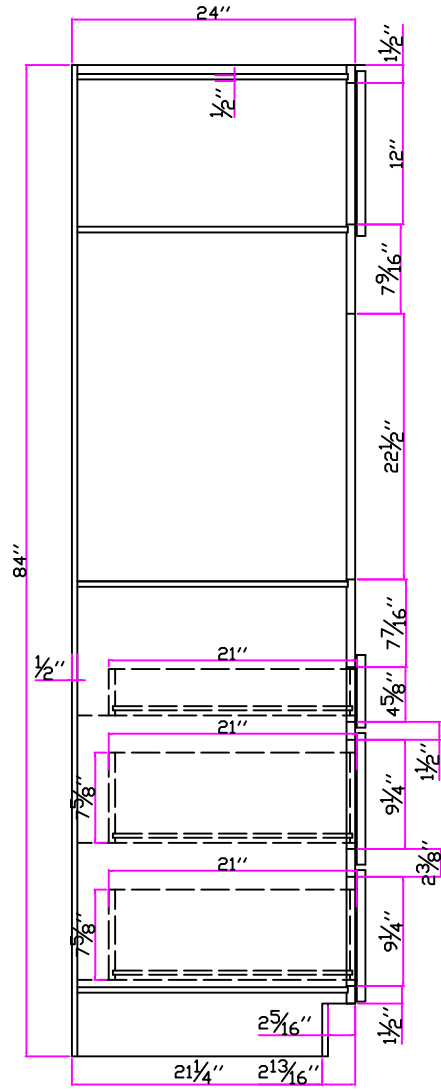
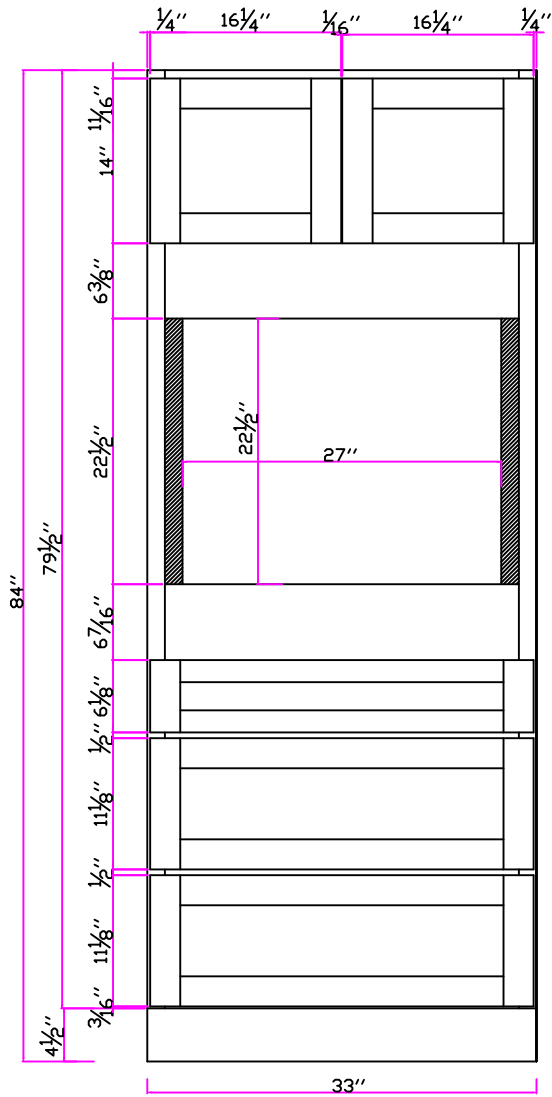


NORTHTIMBER
CABINETS

NPH
NPE
NPM

WP2490





NORTHTIMBER
CABINETS

NPH
NPE
NPM

OU332484

