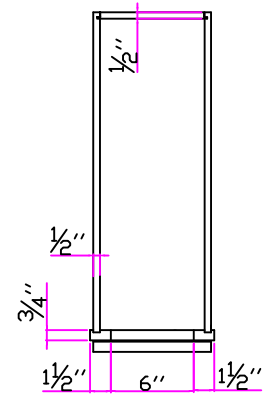
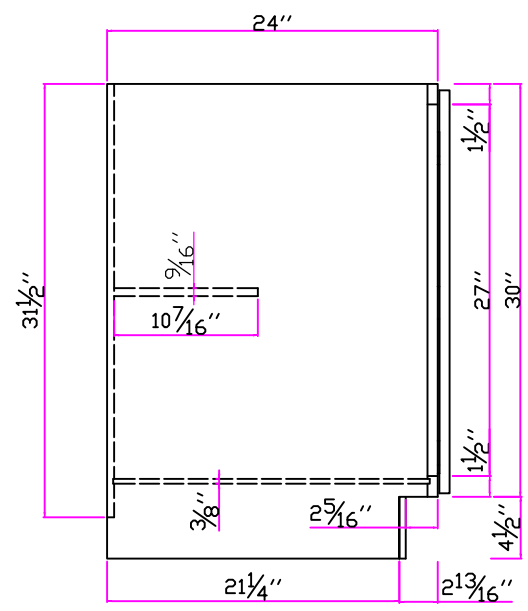
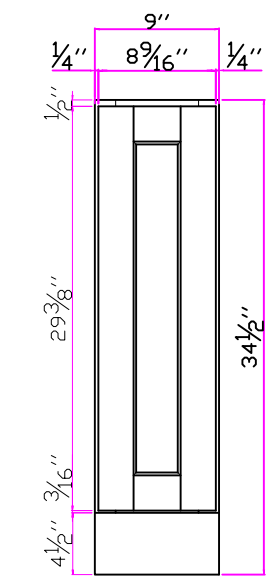


REVISIONS



SLW

B18-FH

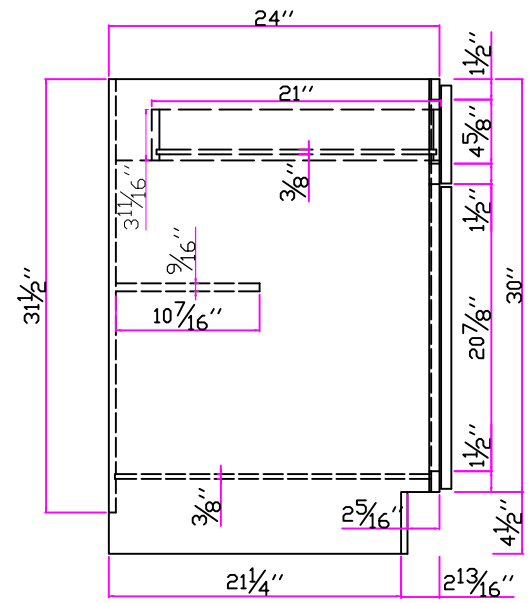
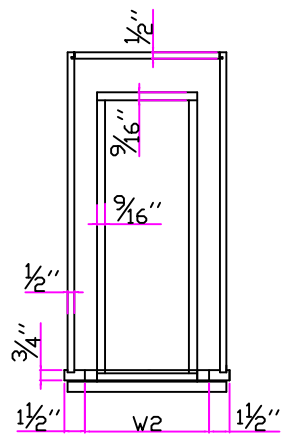
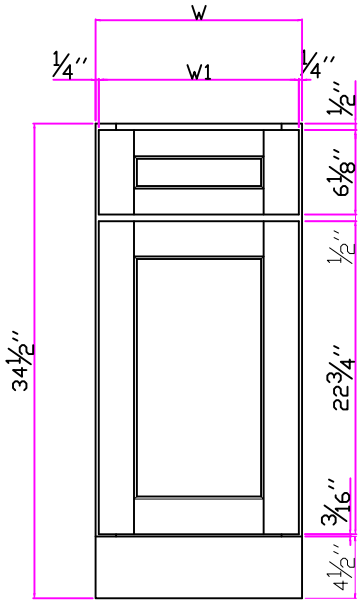


REVISIONS



SLW

B09-FH

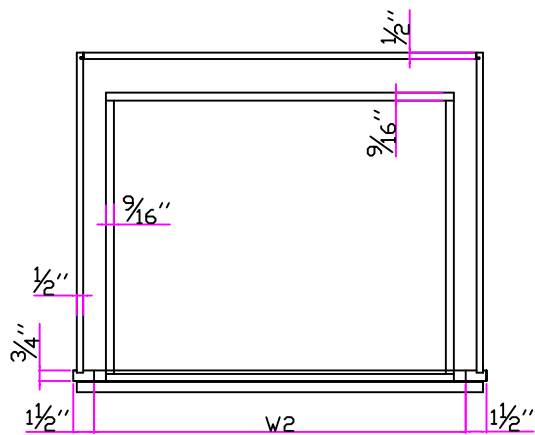
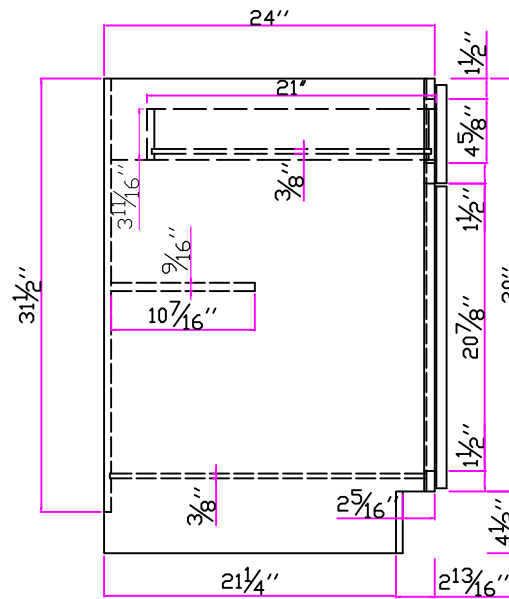
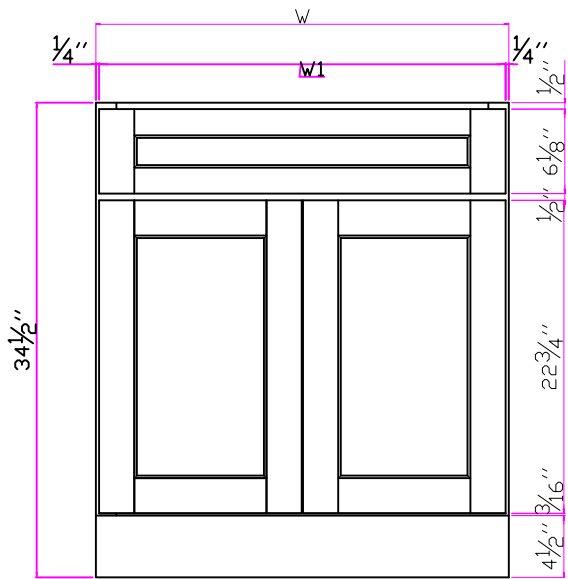


REVISIONS



SLW

B12-B21

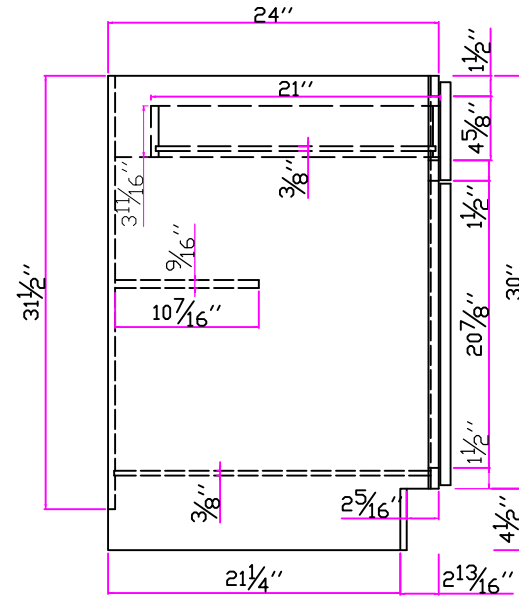
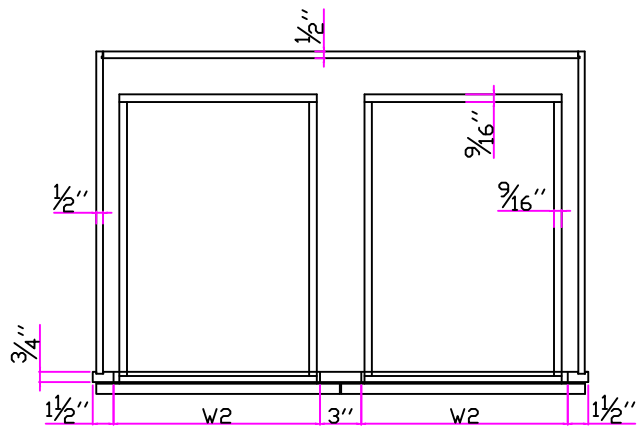
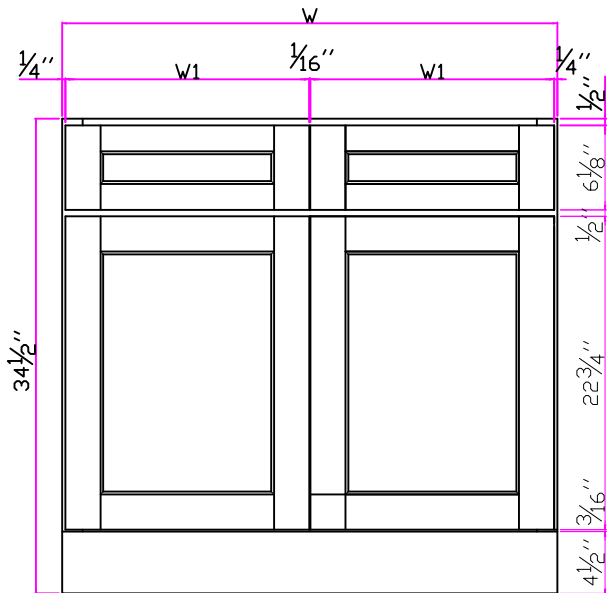


REVISIONS



SLW

B24-B30

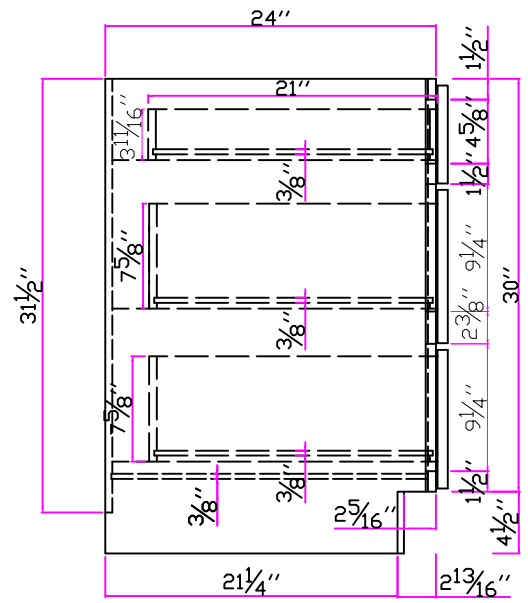
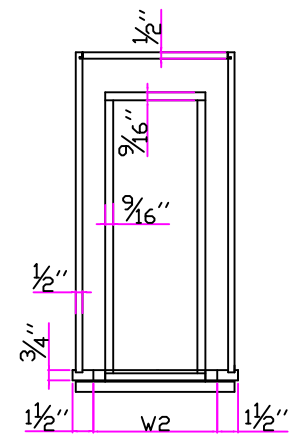
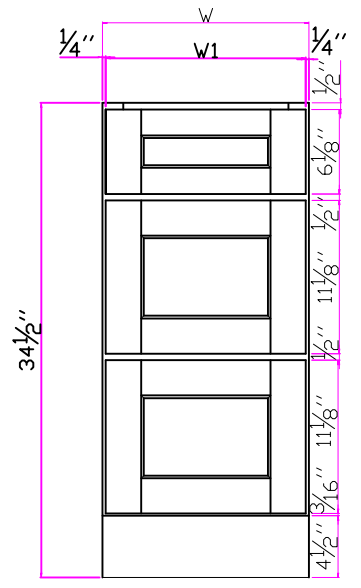


REVISIONS



SLW

B33-B36

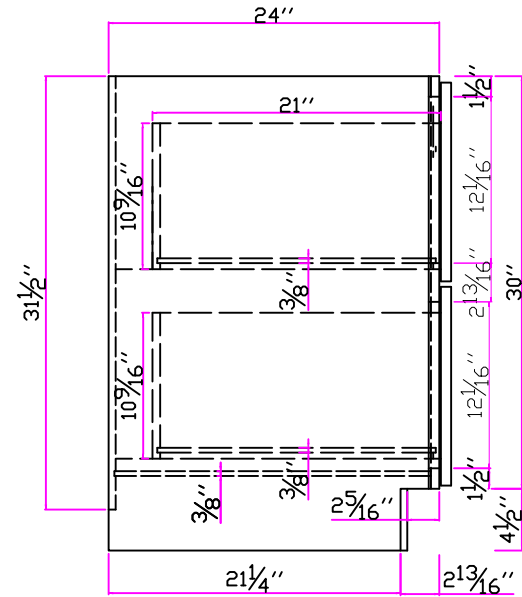
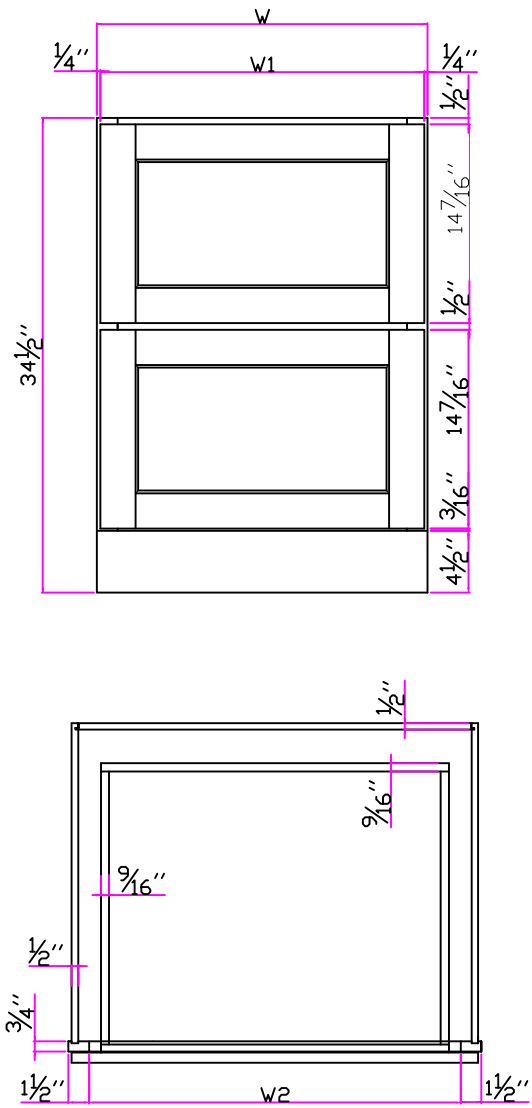


REVISIONS



SLW

DB15-DB30

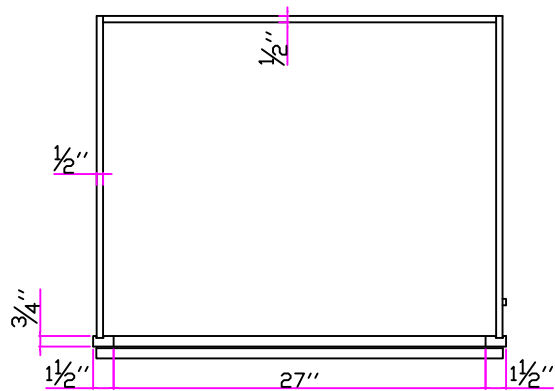
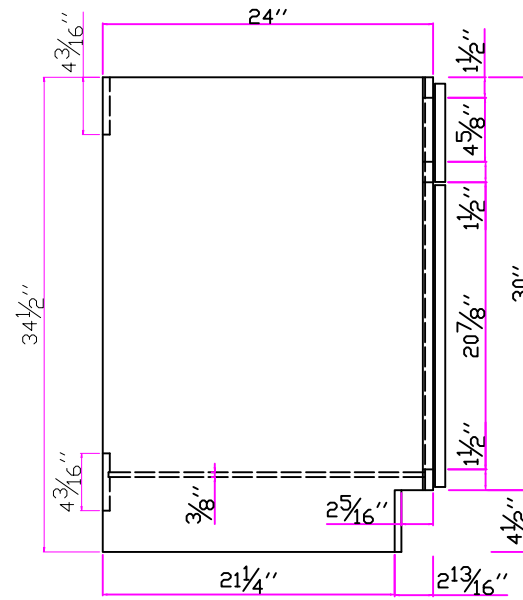
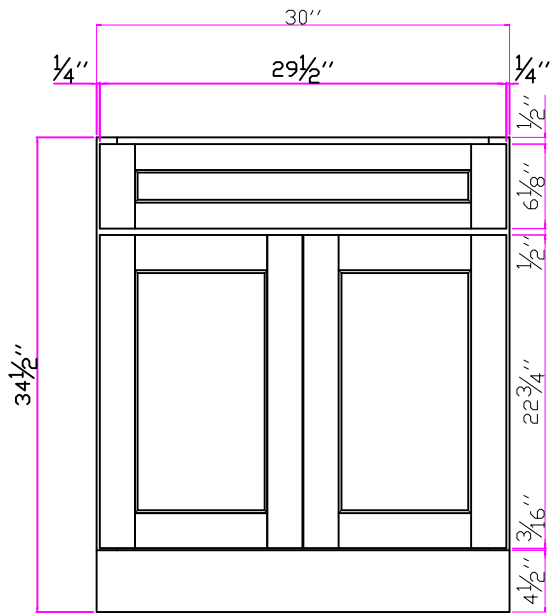


REVISIONS



SLW

DB24-2
DB30-2

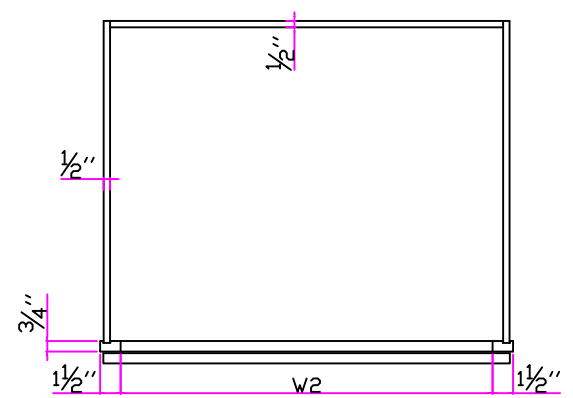
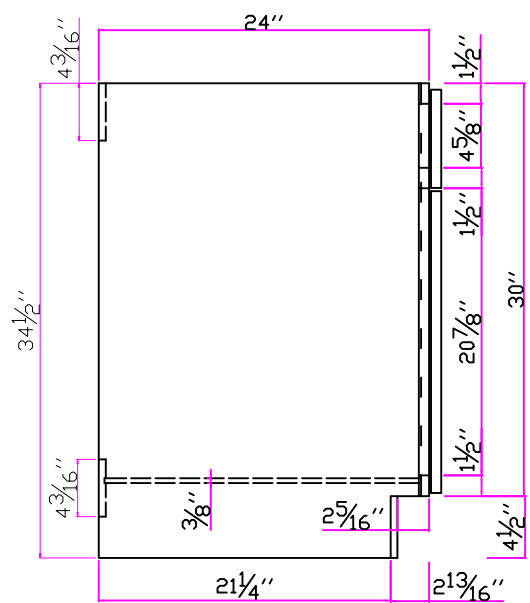
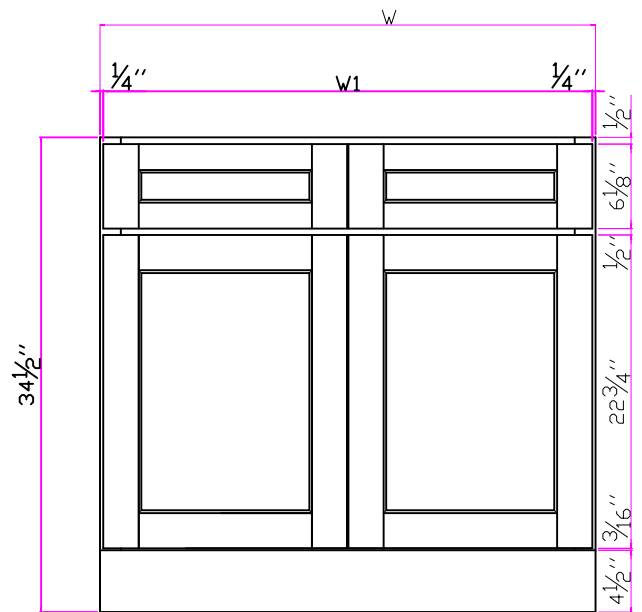


REVISIONS



SLW

SB30

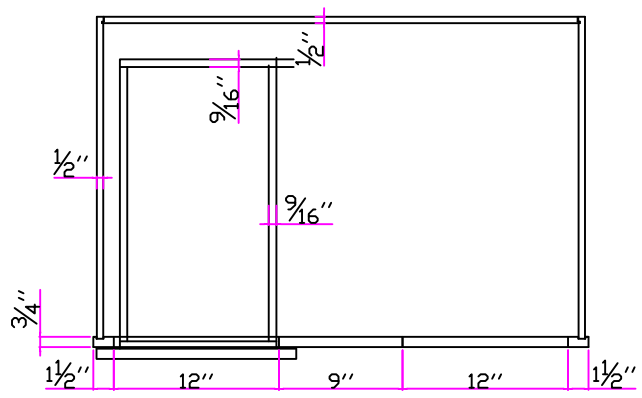
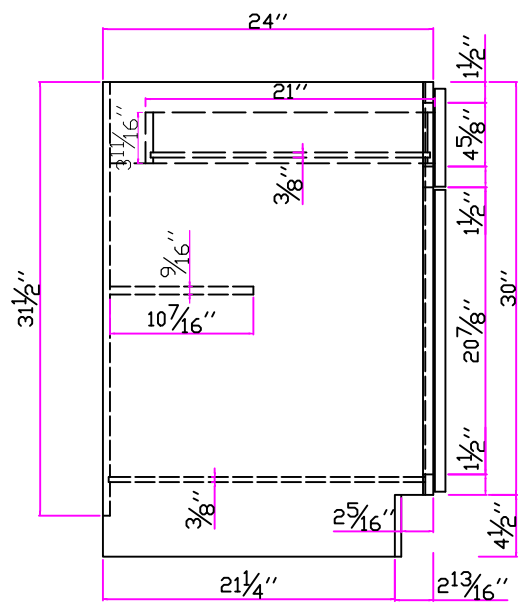
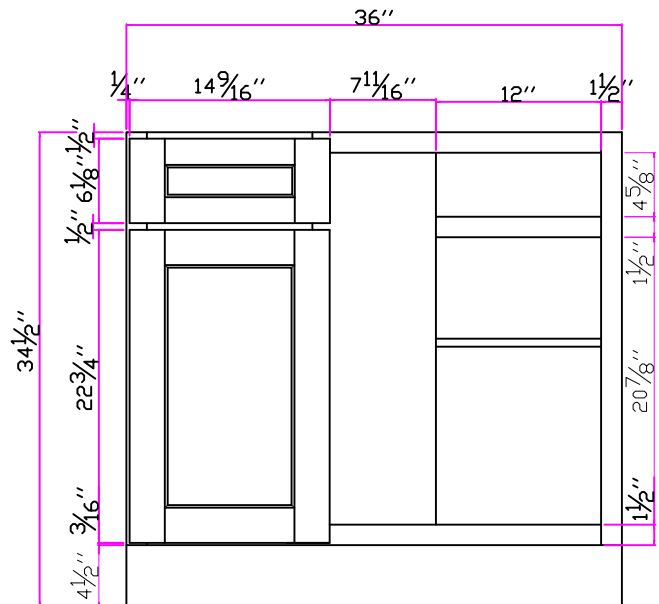


REVISIONS



SLW

SB33-SB42

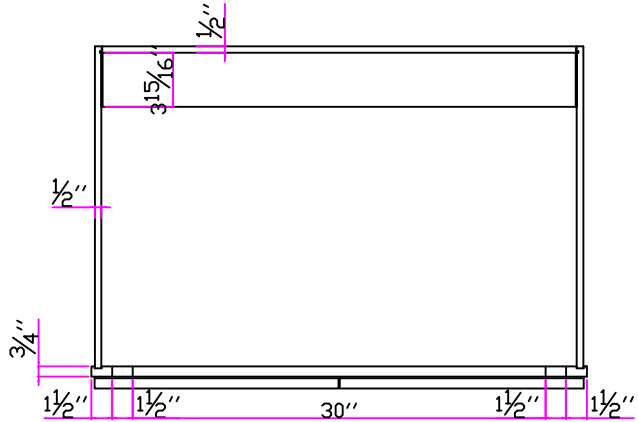
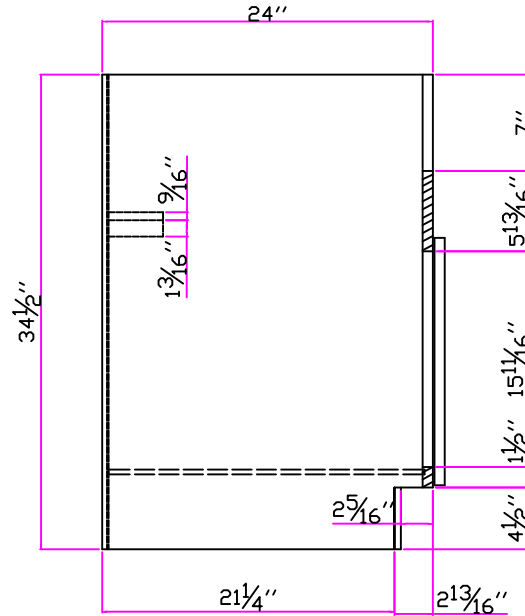
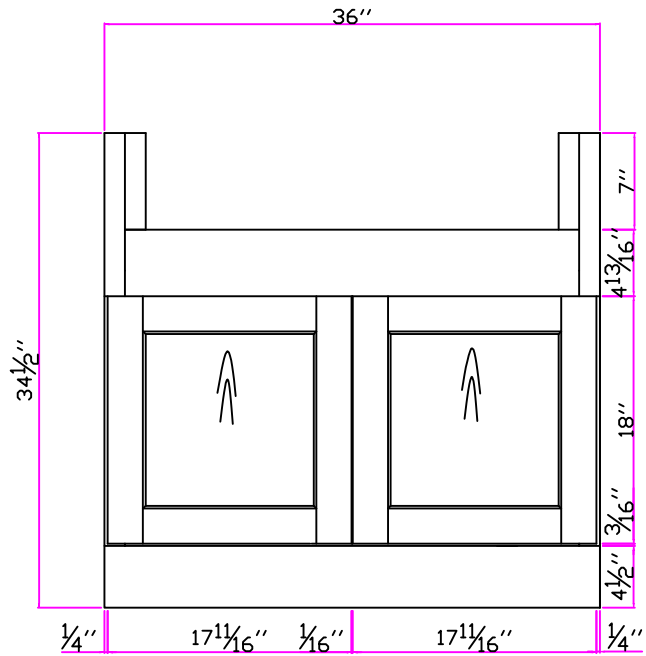


REVISIONS



SLW

BBC42-45

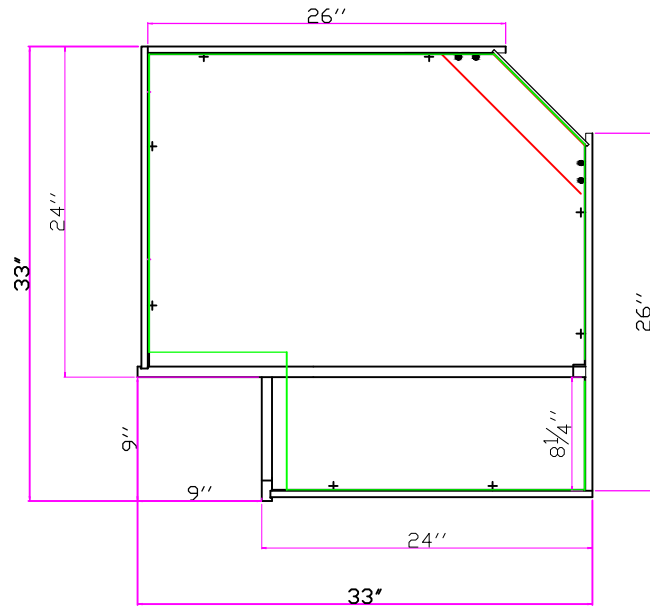
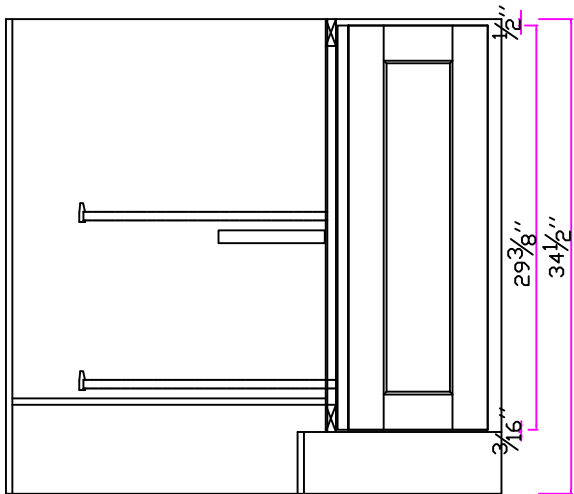


REVISIONS



SLW

FSB36

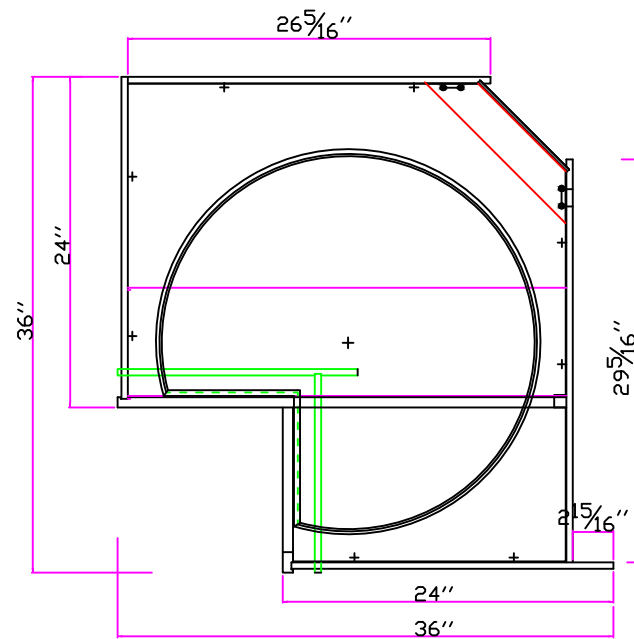
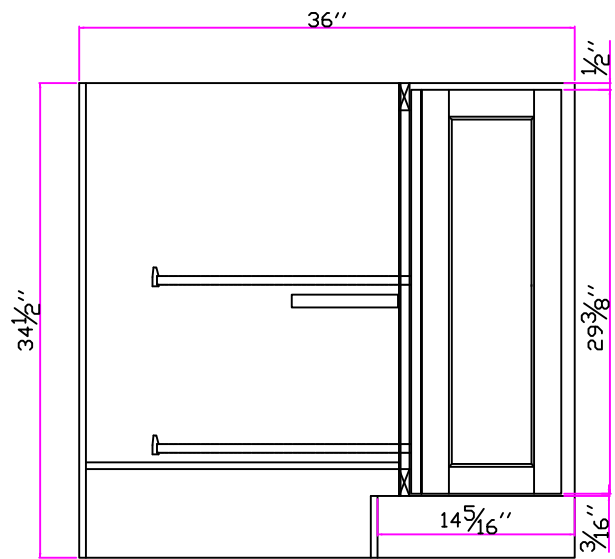


REVISIONS



SLW

ER3309

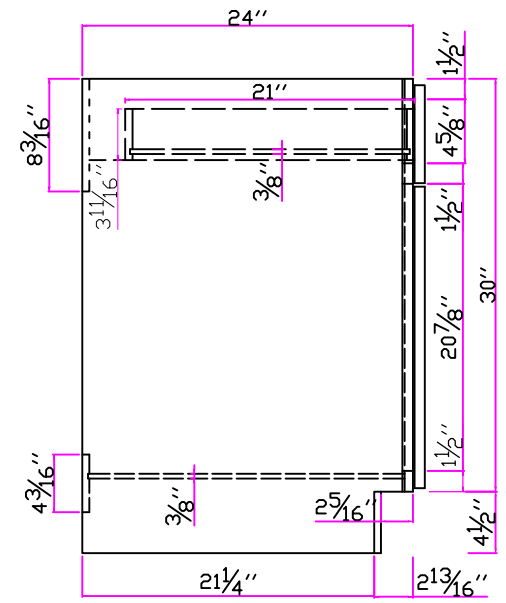
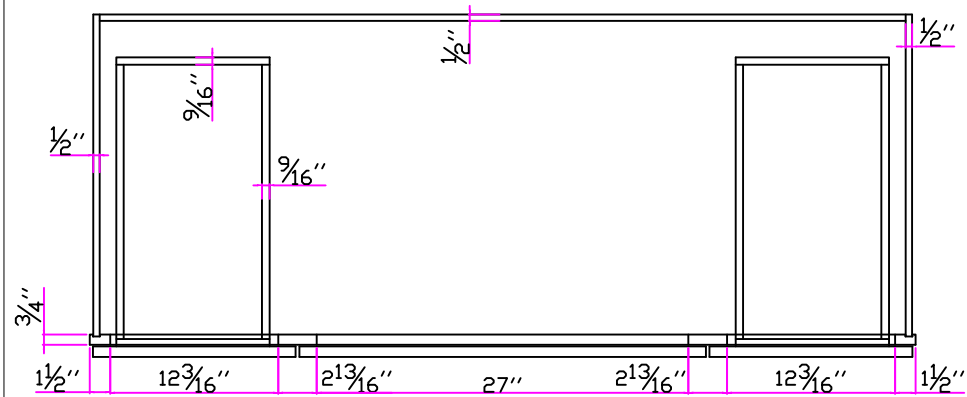
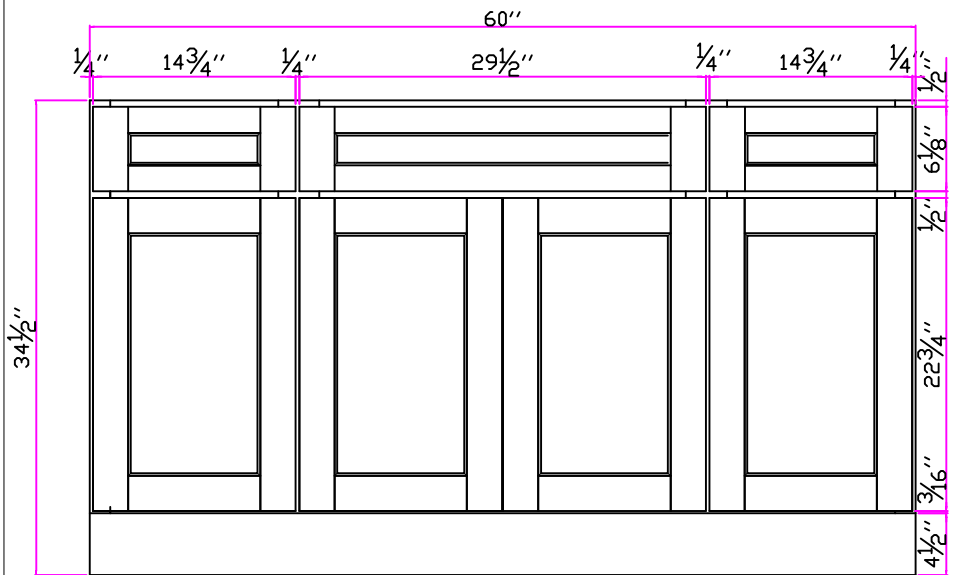


REVISIONS



SLW

DCB3612

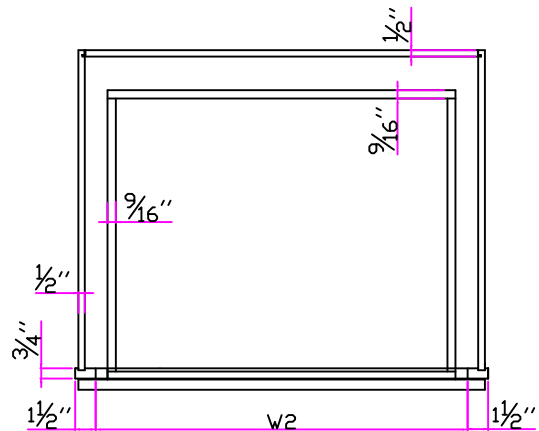
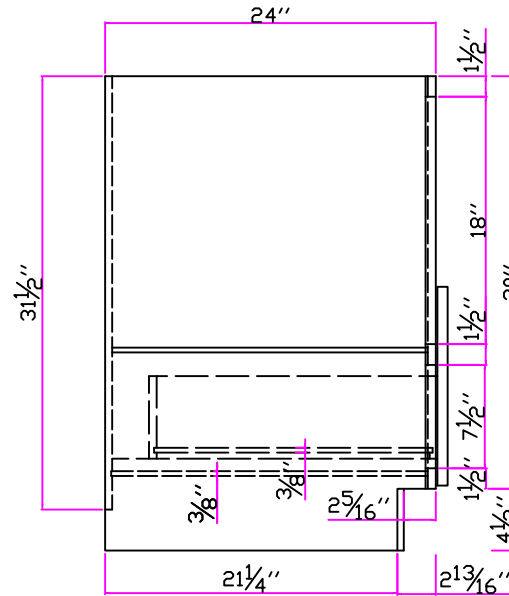
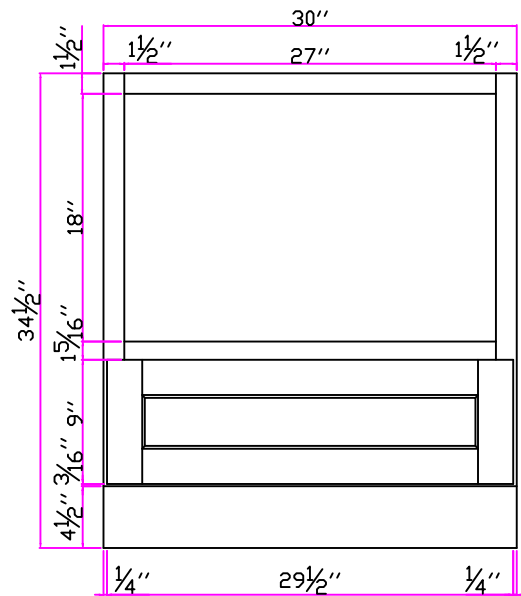


REVISIONS



SLW

SB60

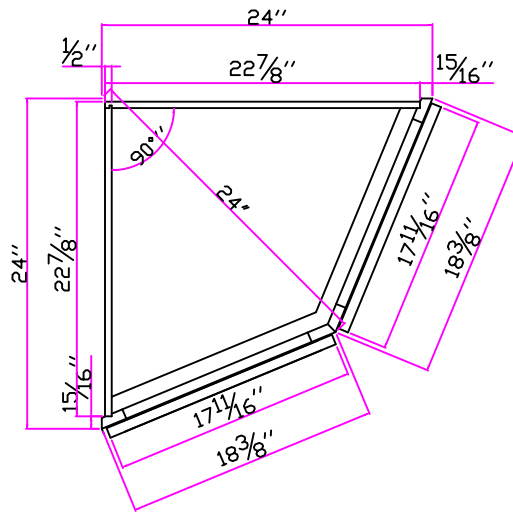
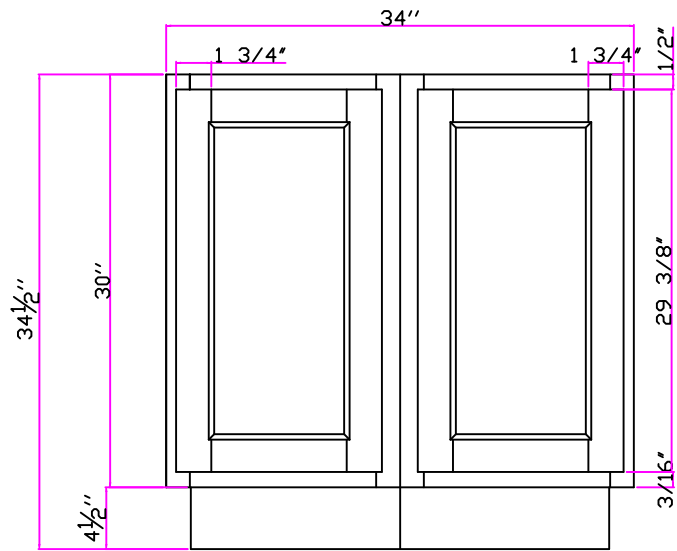


REVISIONS



SLW

MB30

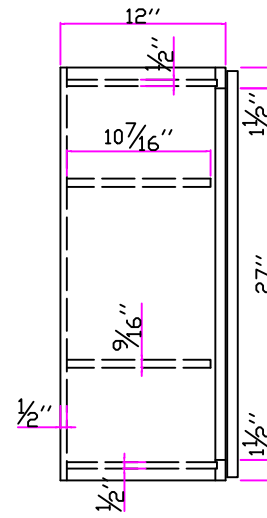
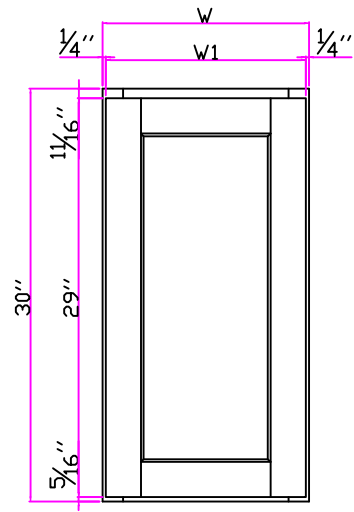


REVISIONS



SLW

BC24

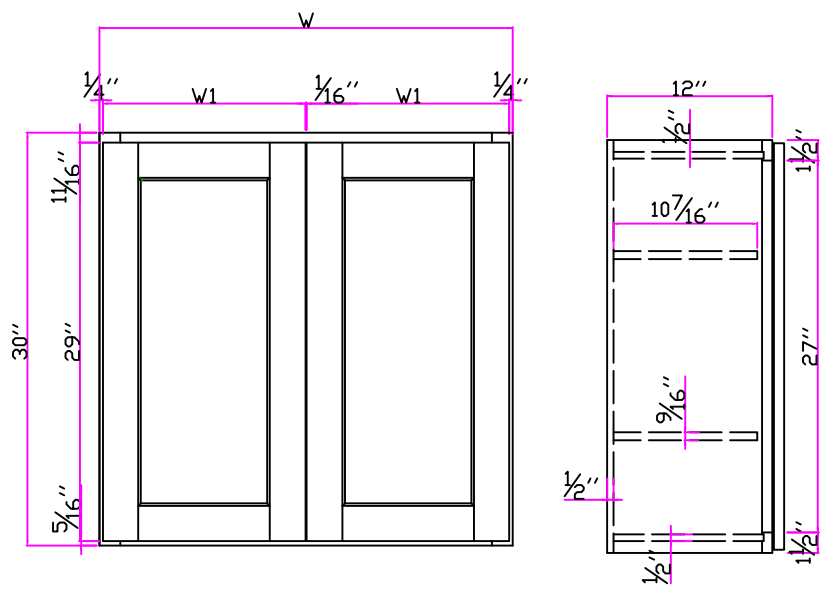


REVISIONS



SLW

W0930-W2130

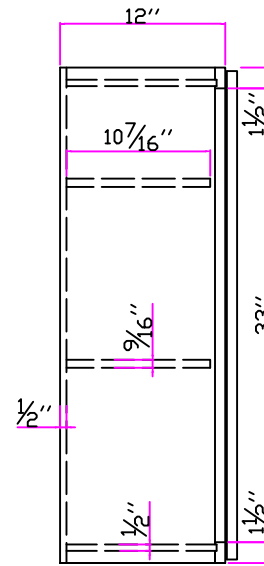
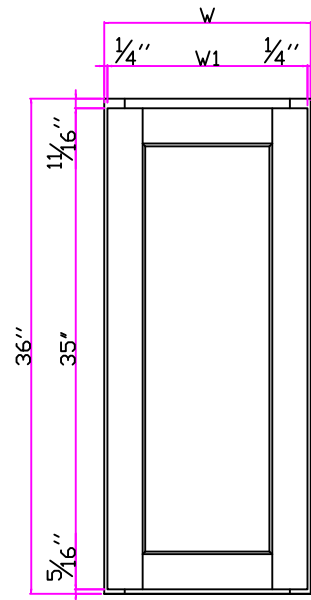


REVISIONS



SLW

W2430-W3630

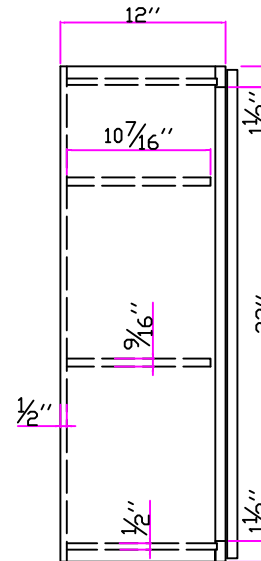
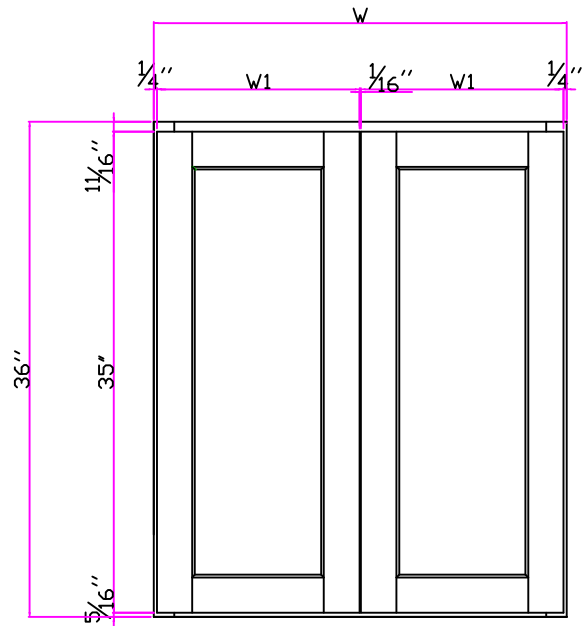


REVISIONS



SLW

W0936-2136

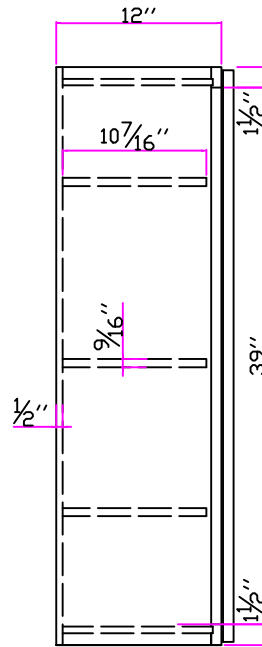
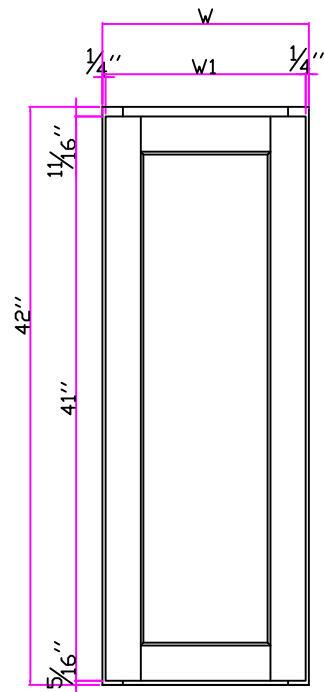


REVISIONS



SLW

W2436-W3636

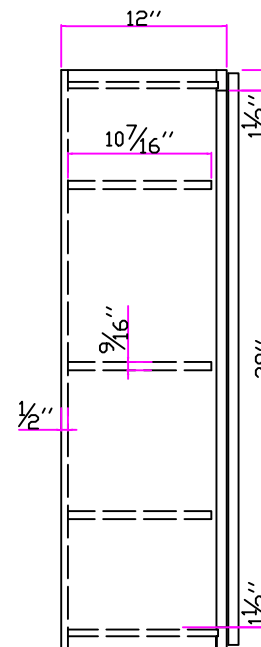
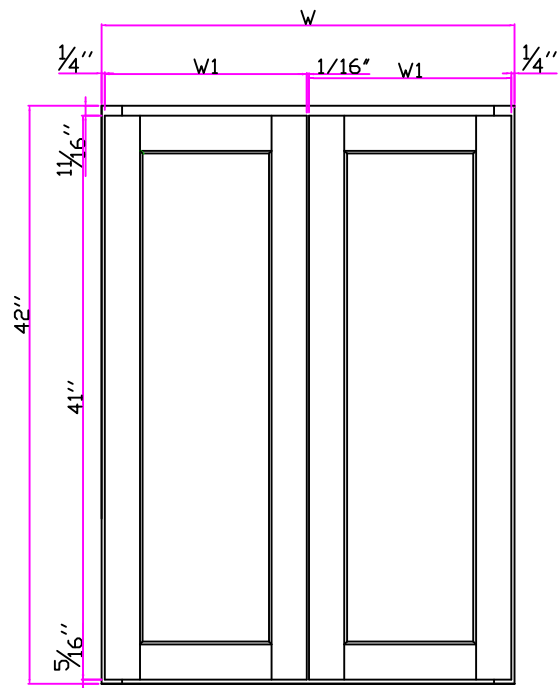


REVISIONS



SLW

W0942-W2142

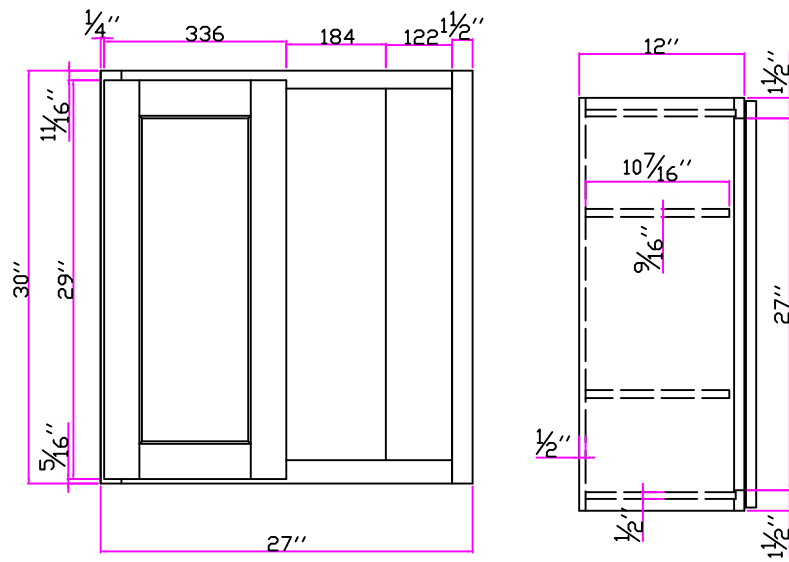


REVISIONS



SLW

W2442-W3642

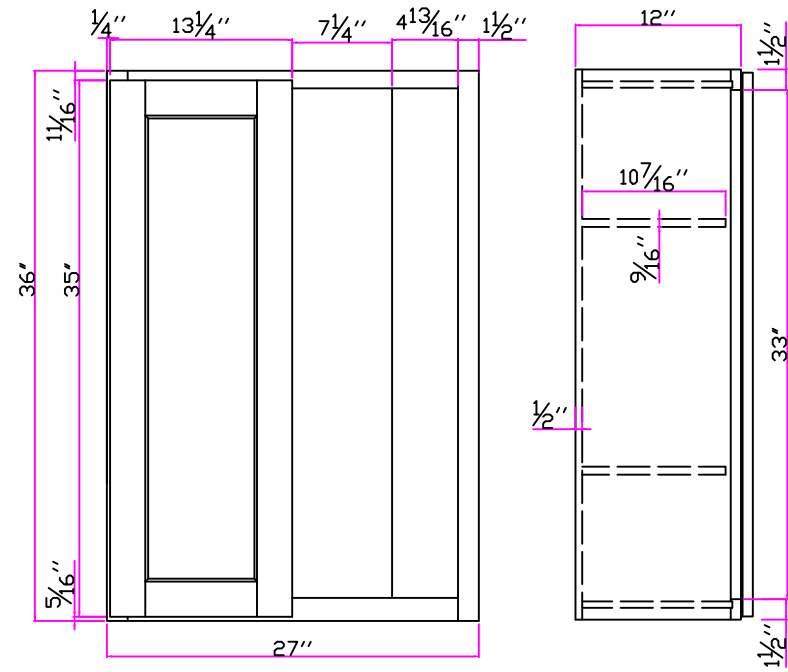


REVISIONS



SLW

WBC2730

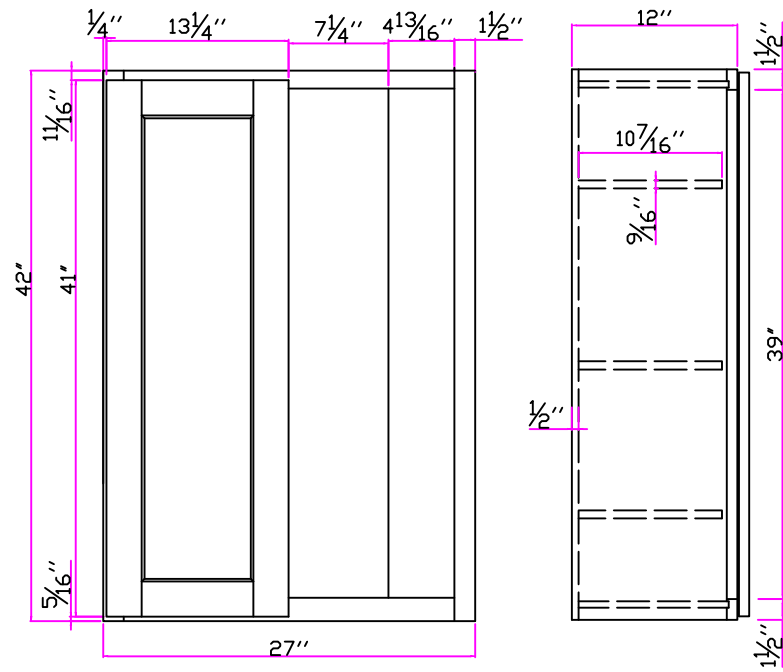


REVISIONS



SLW

WBC2736

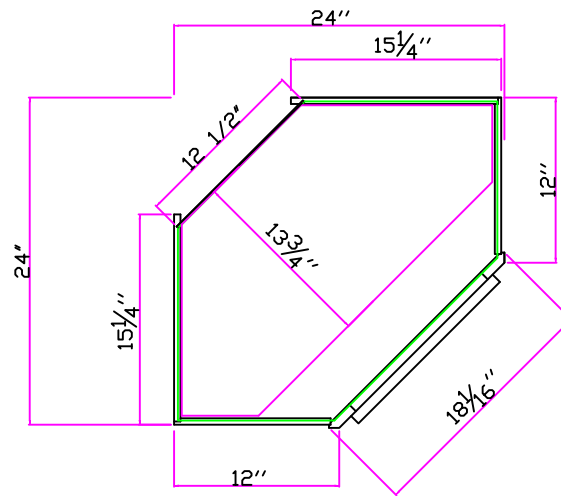
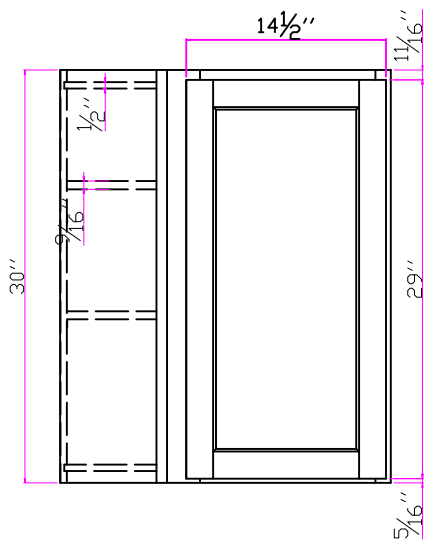


REVISIONS



SLW

WBC2742

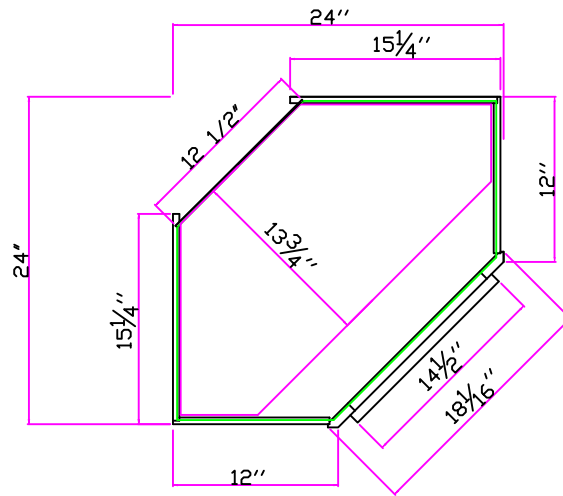
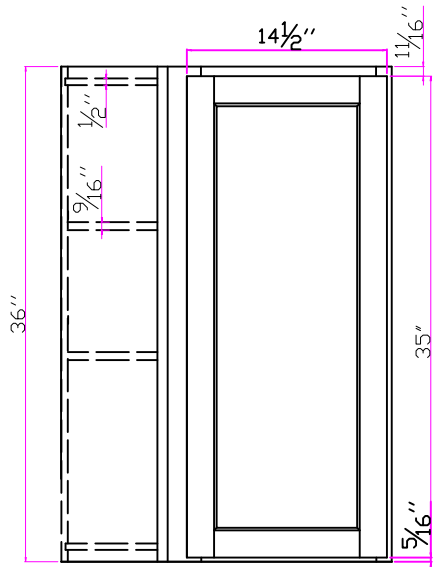


REVISIONS



SLW

WDC2430

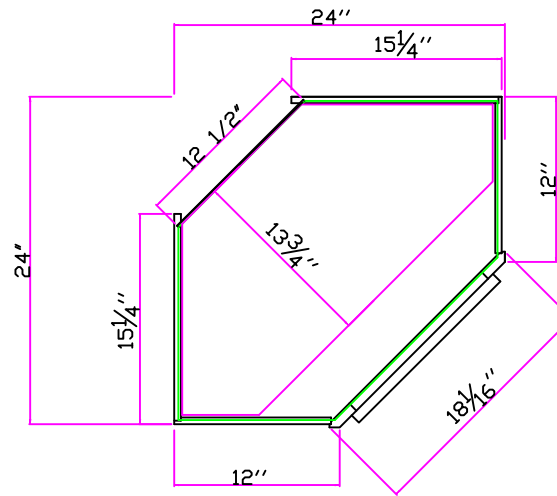
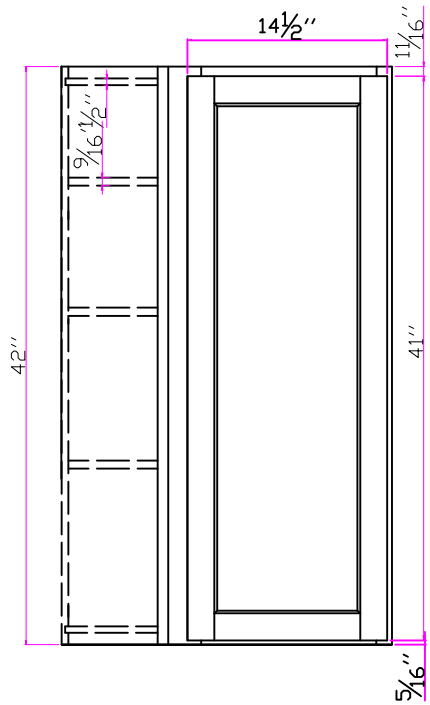


REVISIONS



SLW

WDC2436

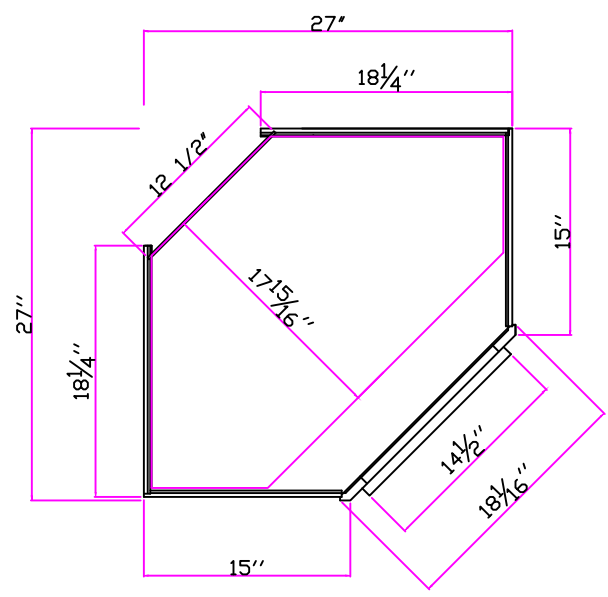
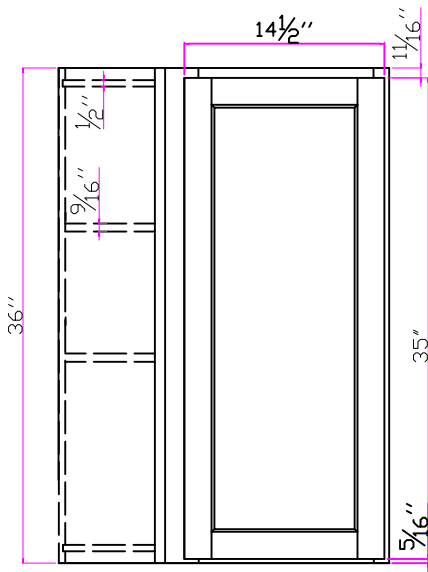


REVISIONS



SLW

WDC2442

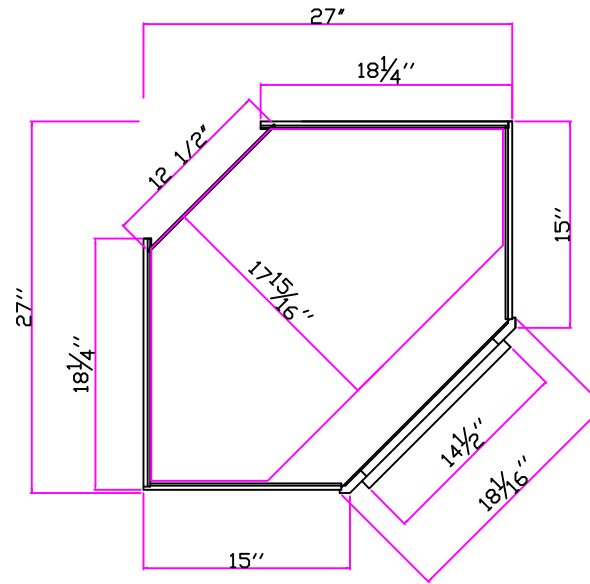
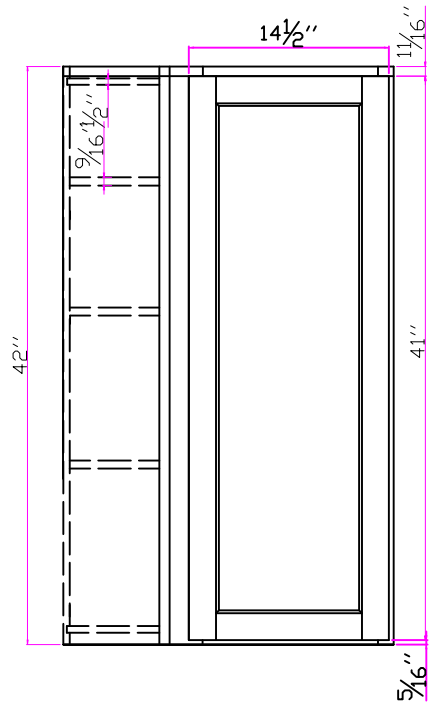


REVISIONS



SLW

WDC2736

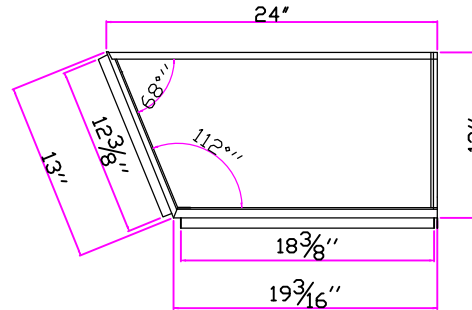
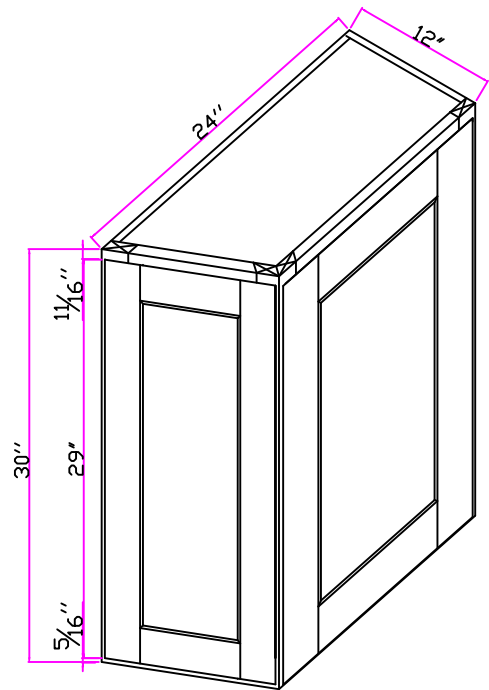


REVISIONS



SLW

WDC2742

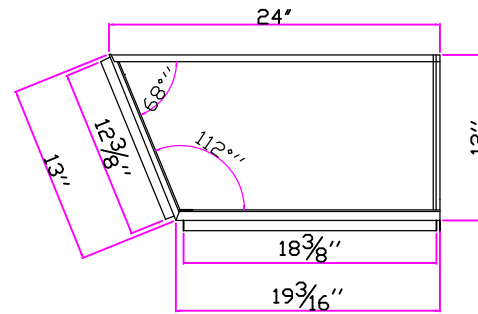
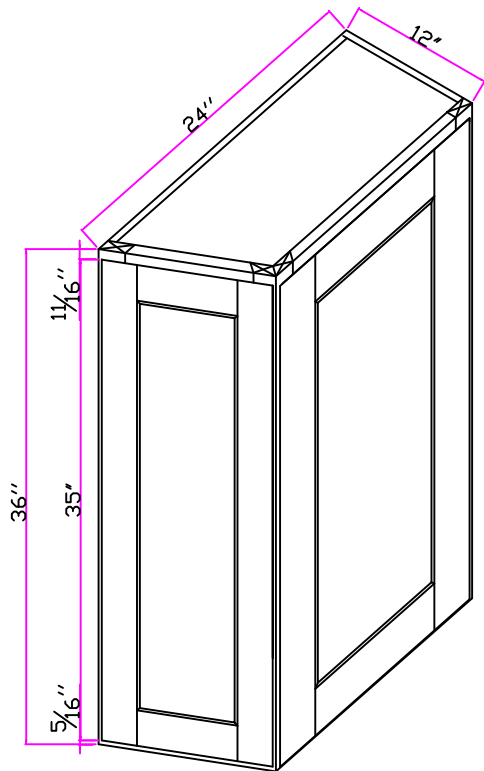


REVISIONS



SLW

WAC2430

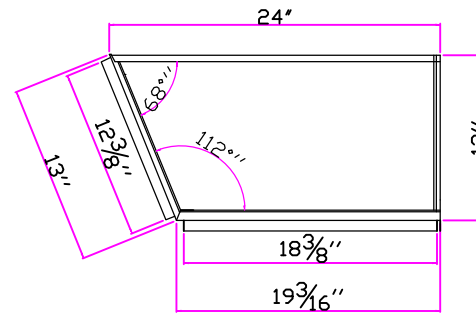
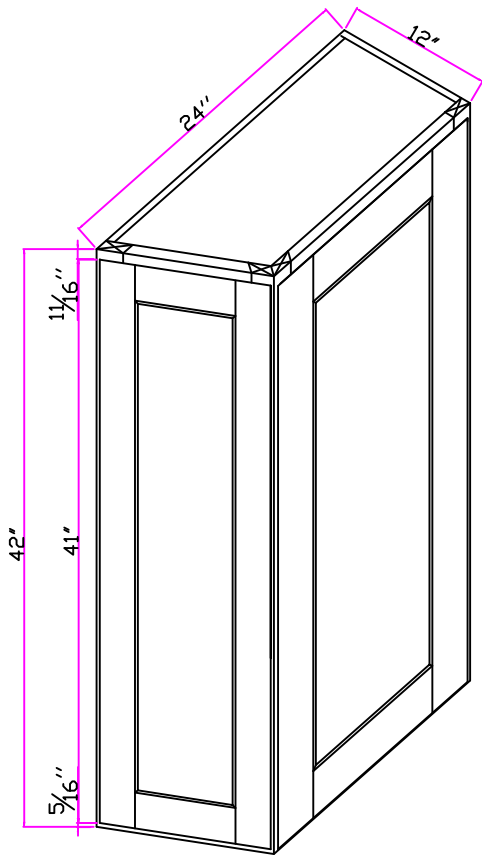


REVISIONS



SLW

WAC2436

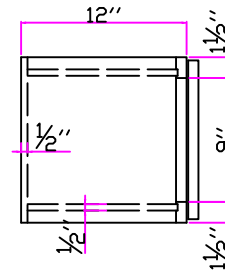
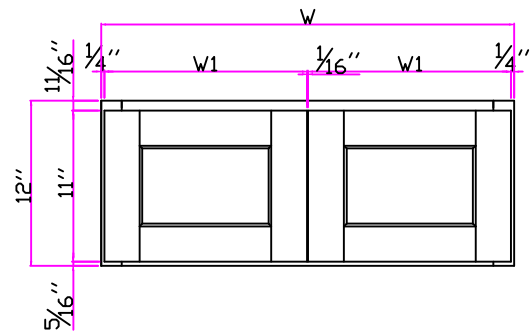


REVISIONS



SLW

WAC2442

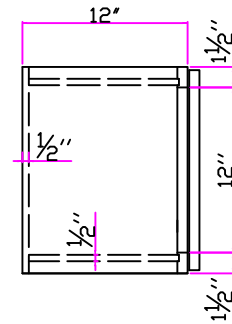
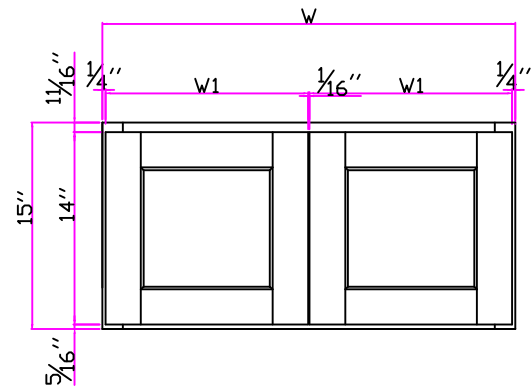


REVISIONS



SLW

W3012-W3612

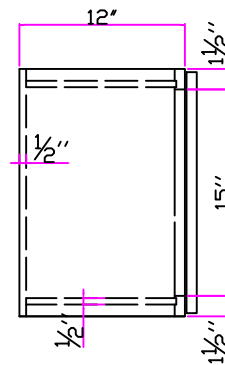
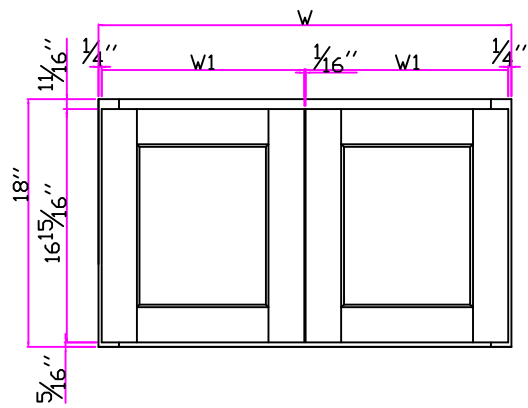


REVISIONS

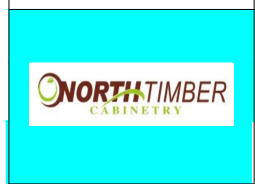


SLW

W2415-W3615

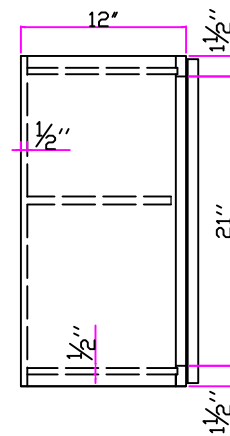
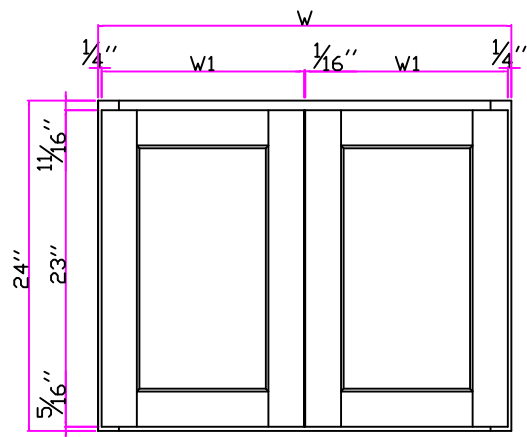


REVISIONS



SLW

W3018-W3618

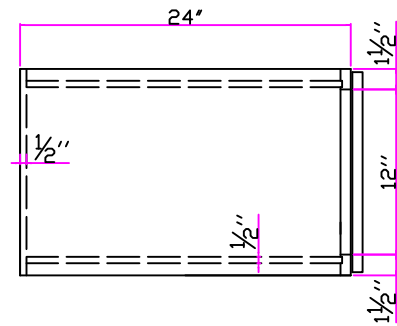
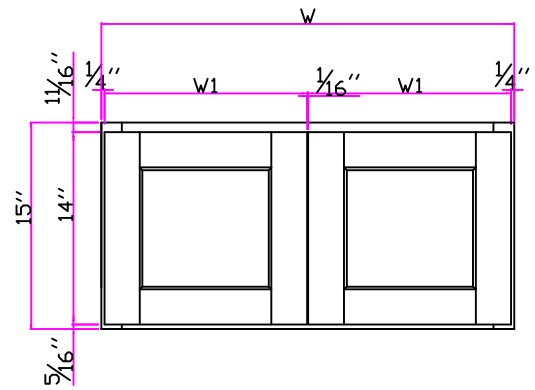


REVISIONS



SLW

W3024-W3624

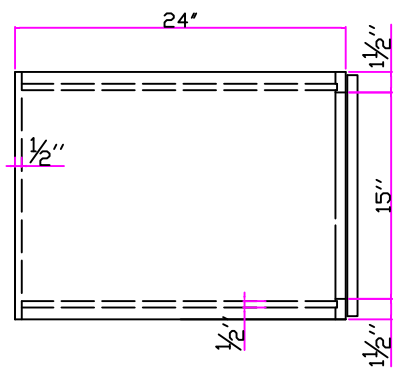
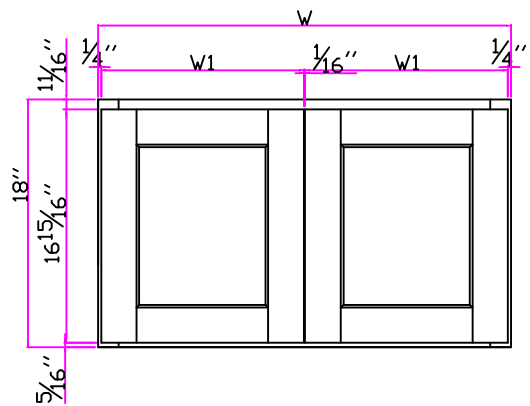


REVISIONS



SLW

W331524
W361524

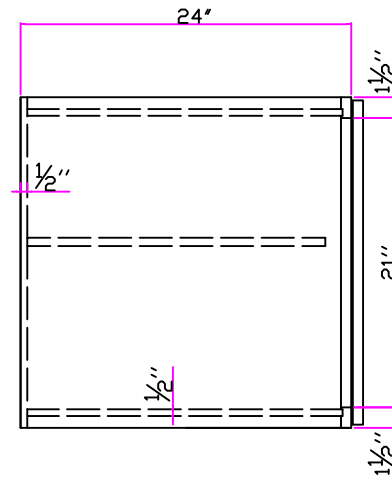
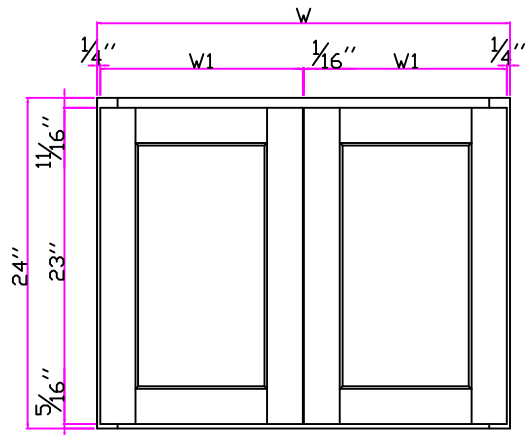


REVISIONS



SLW

W331824
W361824

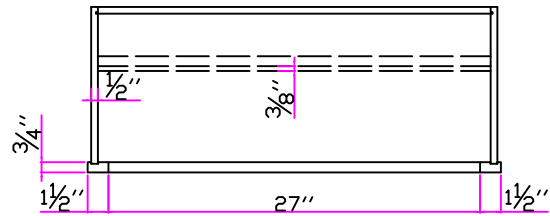
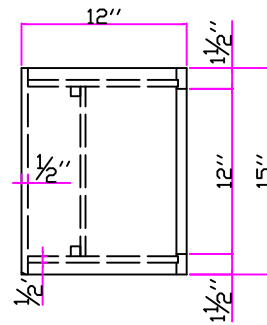
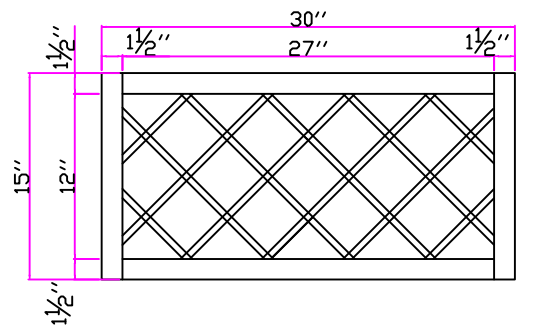


REVISIONS



SLW

W332424
W362424

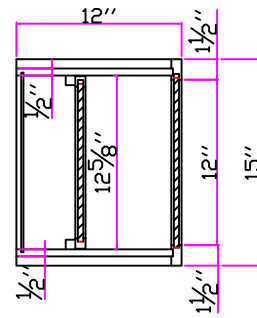
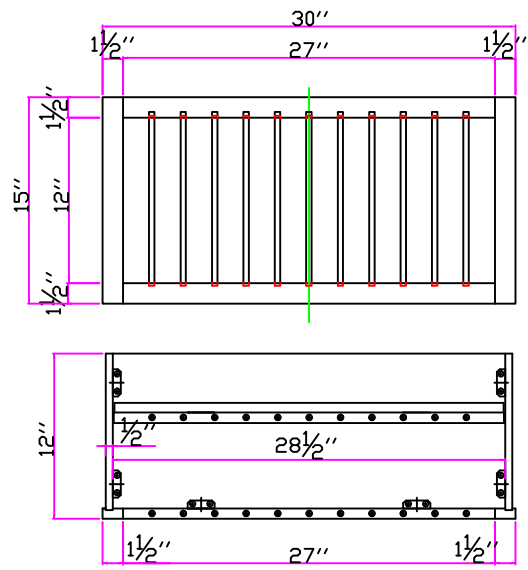


REVISIONS



SLW

WR3015



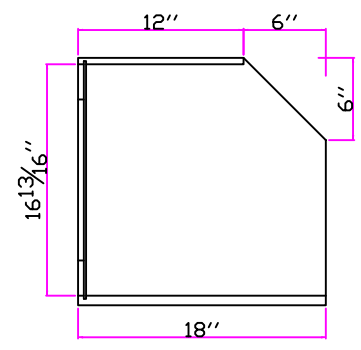
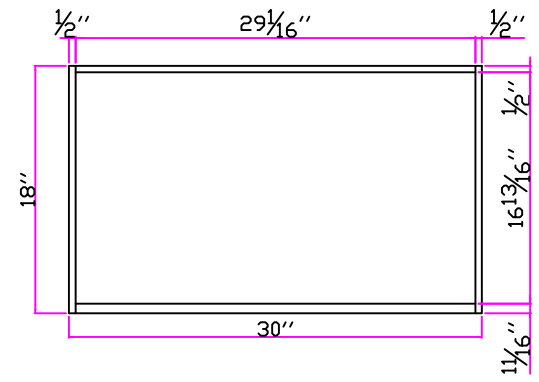
REVISIONS



SLW

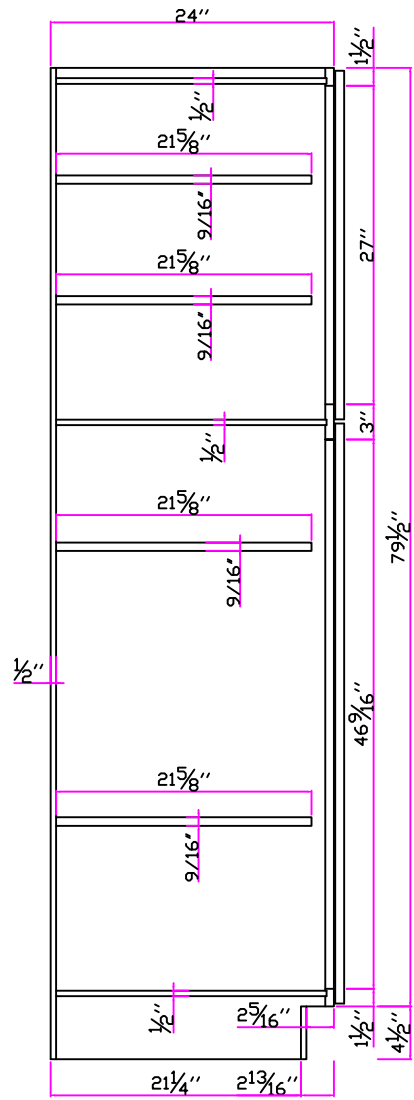
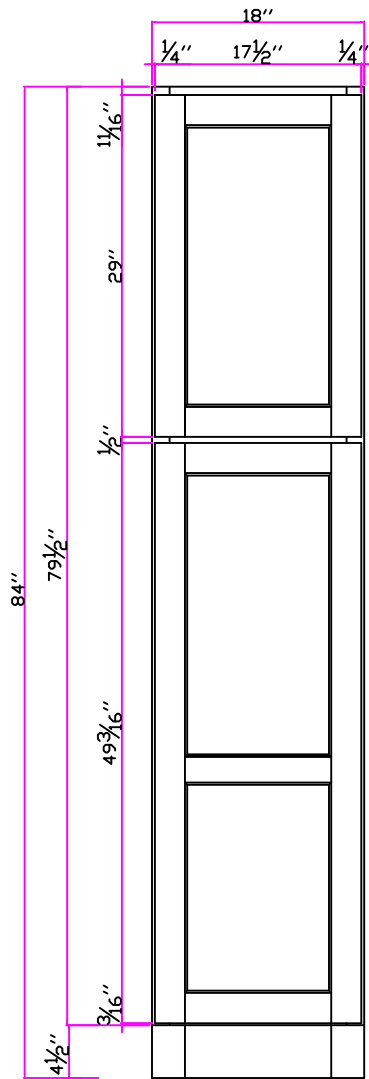
PR3015

REVISIONS



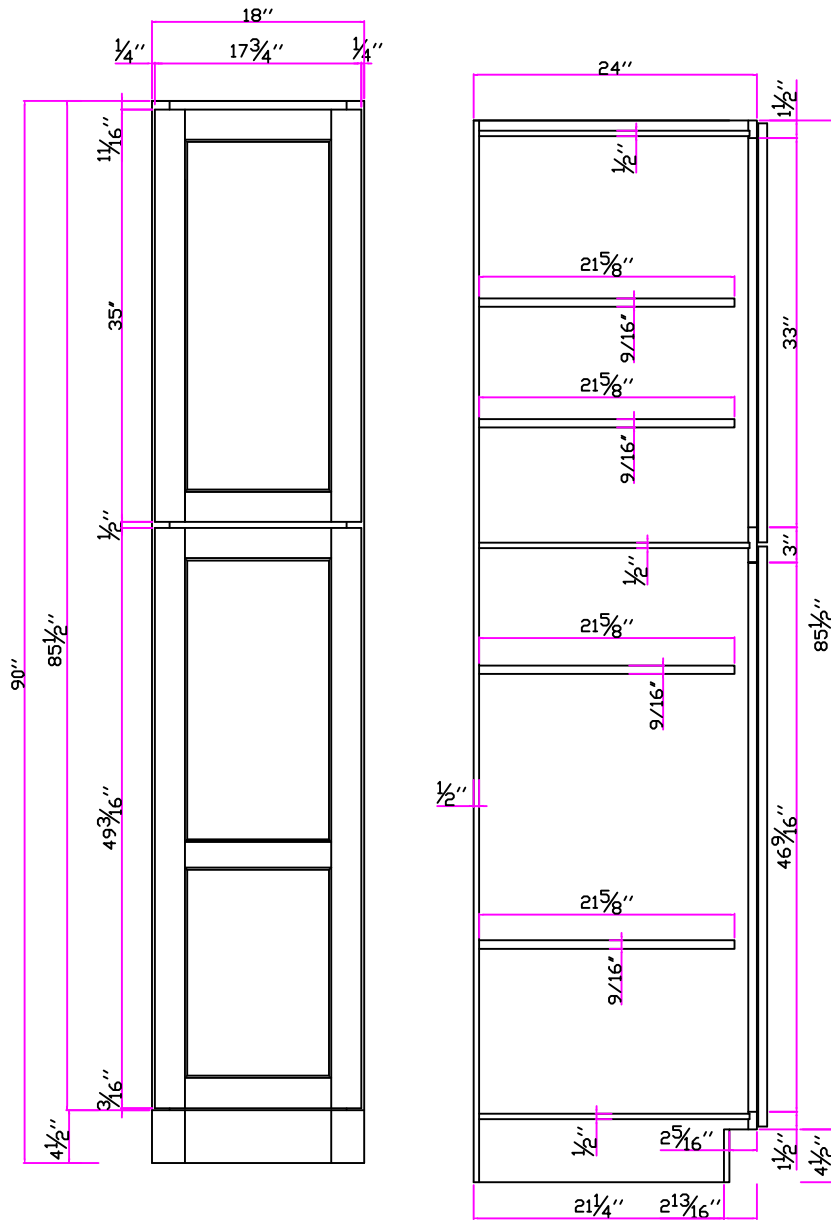
SLW

MC3018



SLW

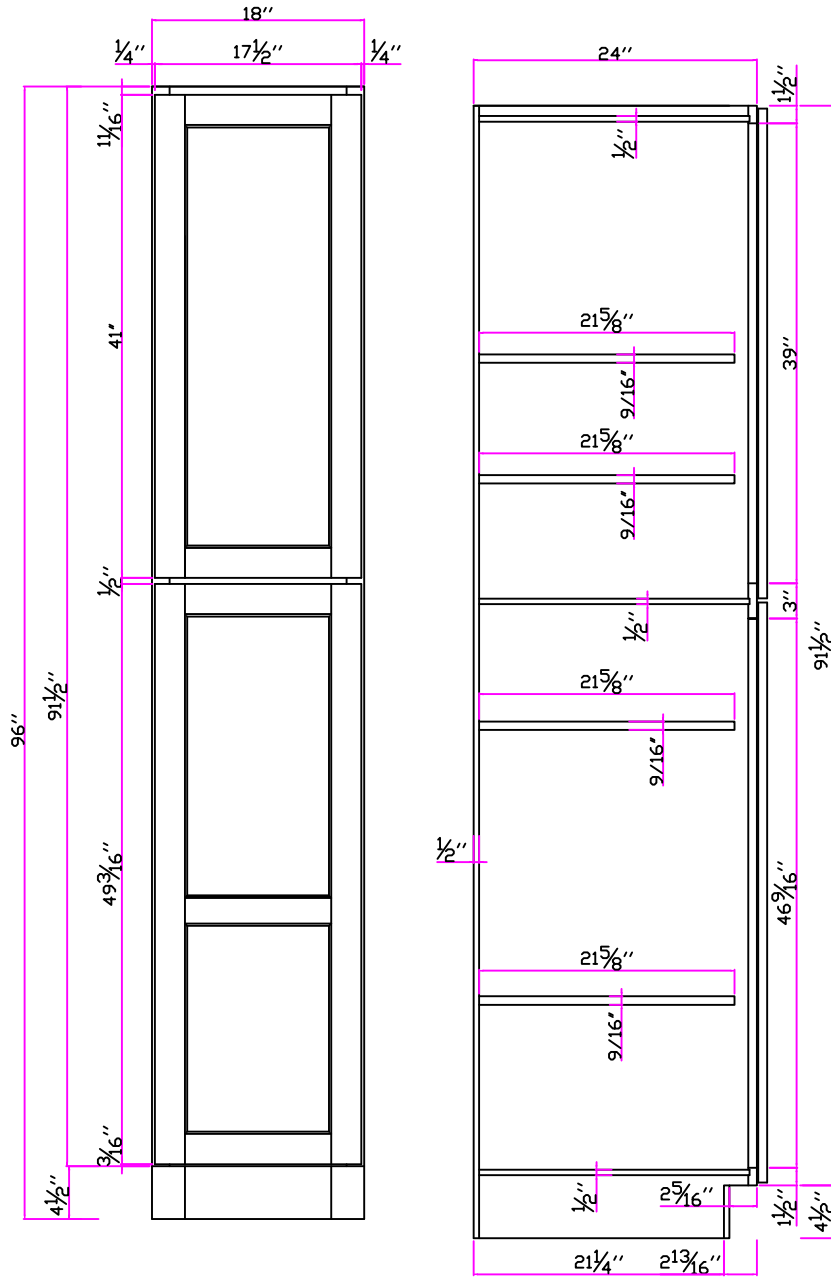
WP1884

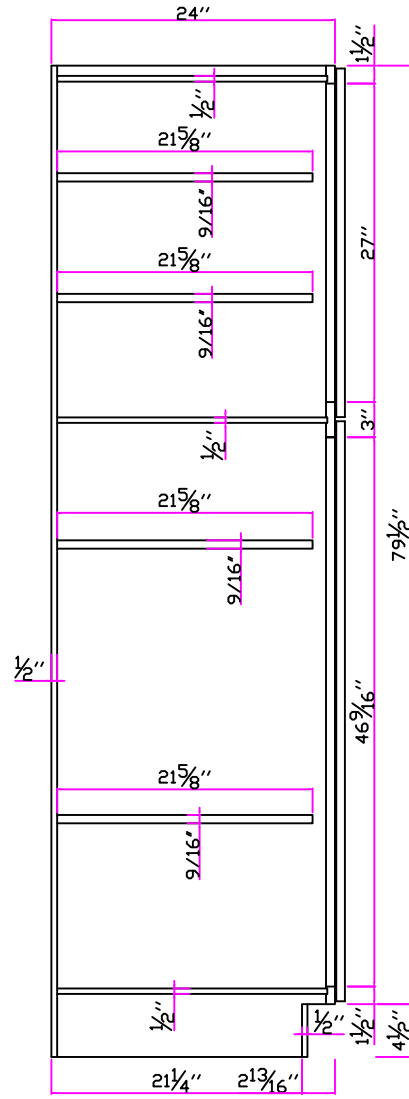
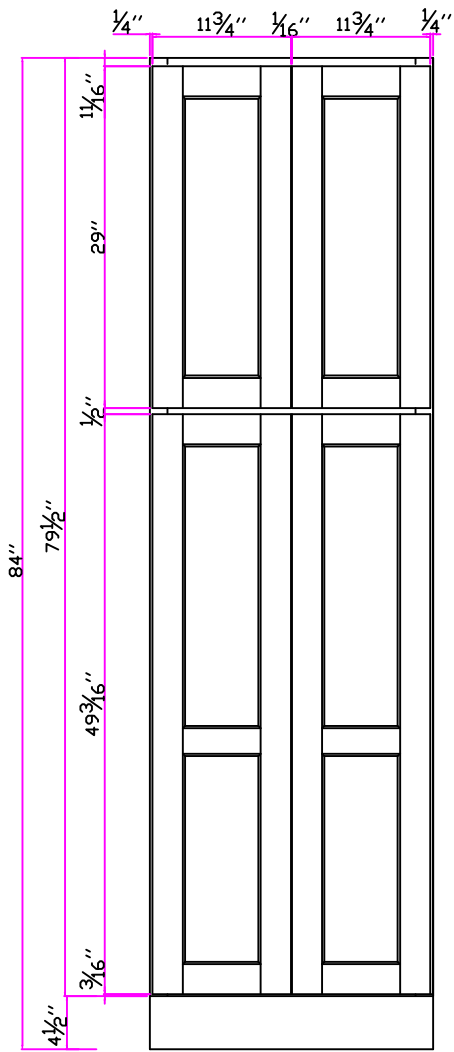


NORTHTIMBER
CABINETS

SLW

WP1890

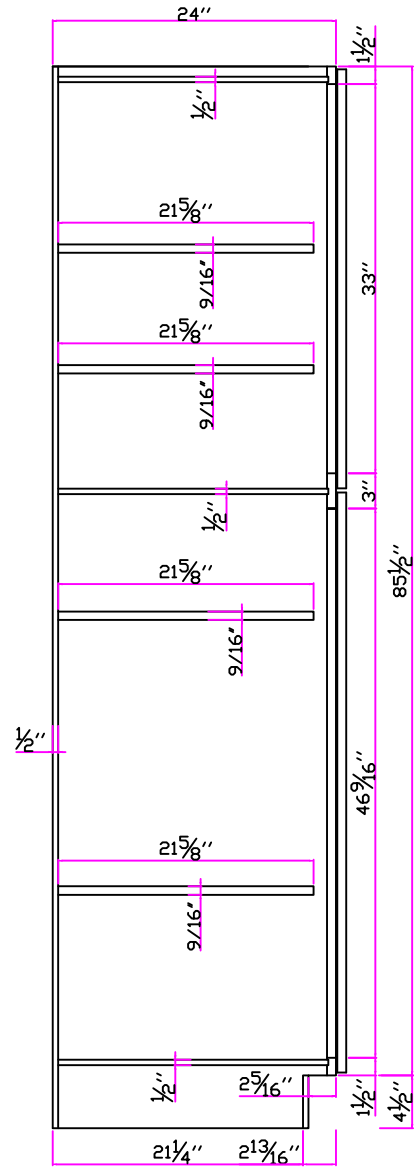
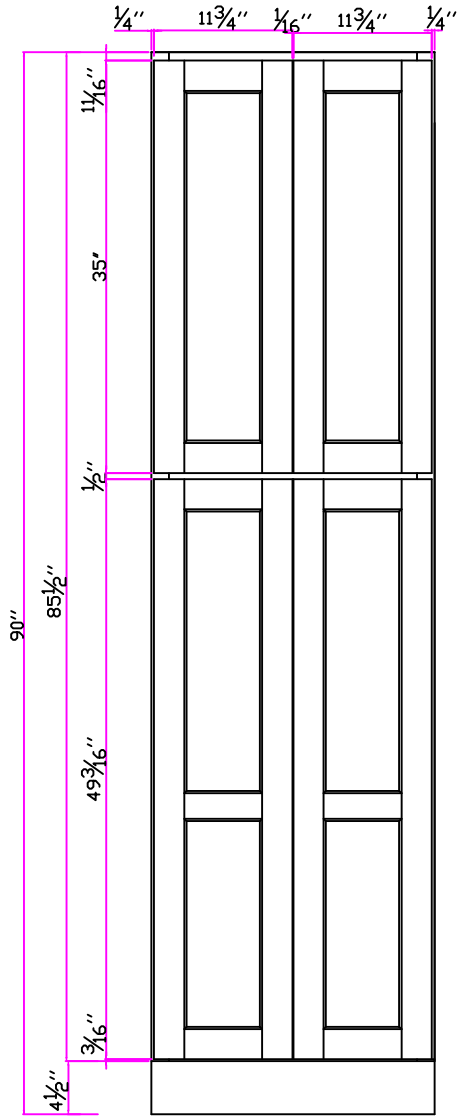


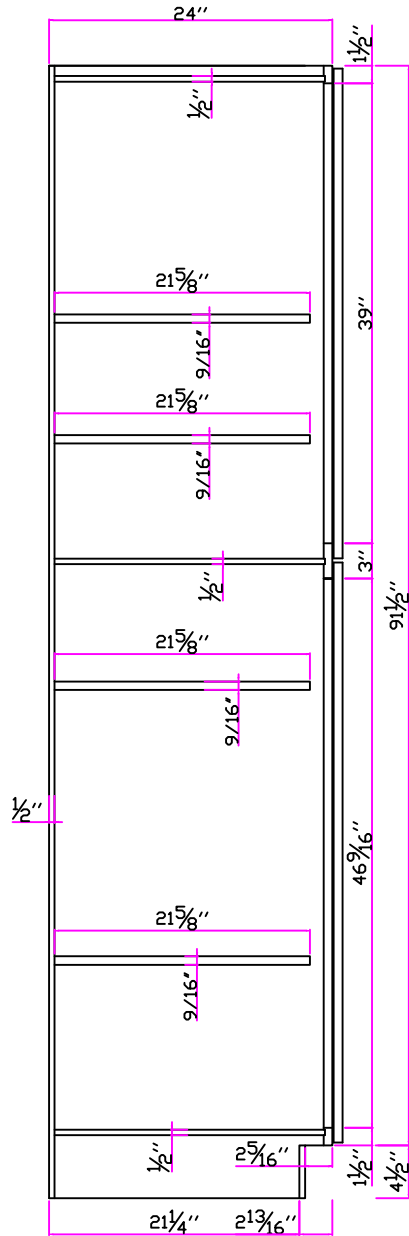
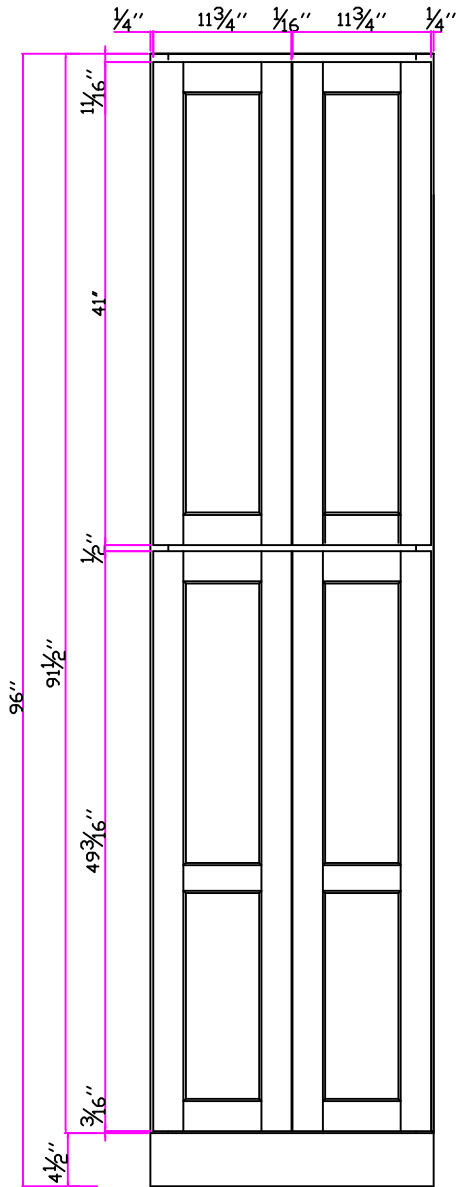


NORTHTIMBER
CABINETS

SLW

WP2484





NORTHTIMBER
CABINETS

SLW

WP2496

