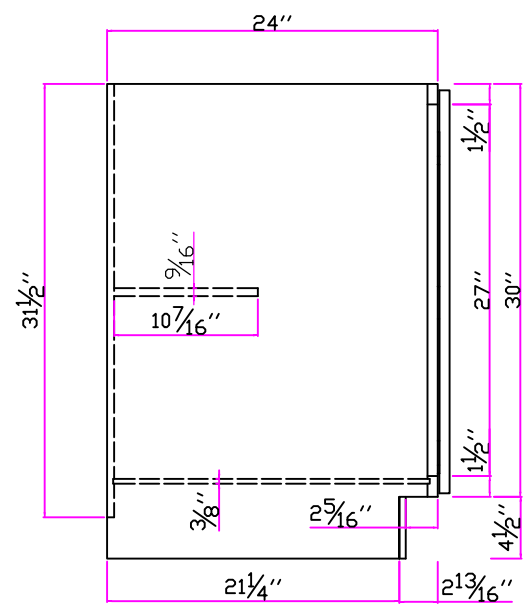
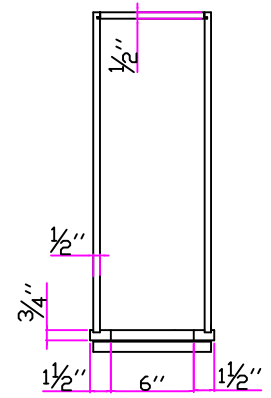
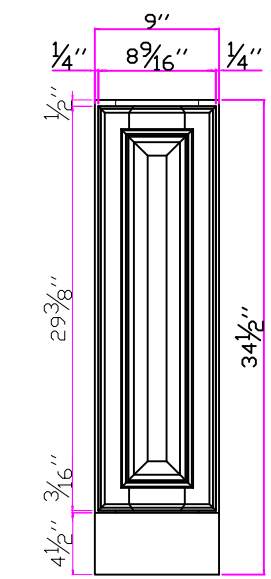


REVISIONS



**SVH**  
**SVM**

B18-FH

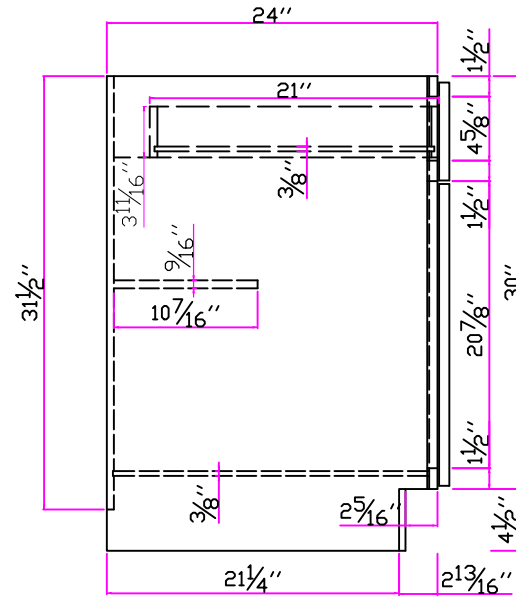
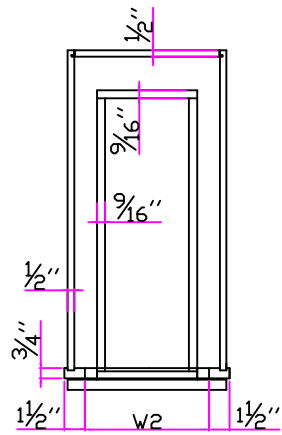
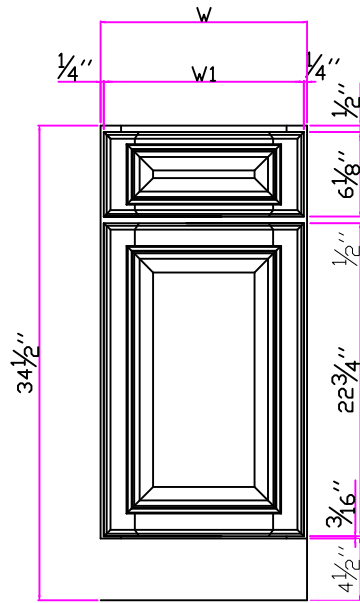


REVISIONS



**SVH**  
**SVM**

B09-FH

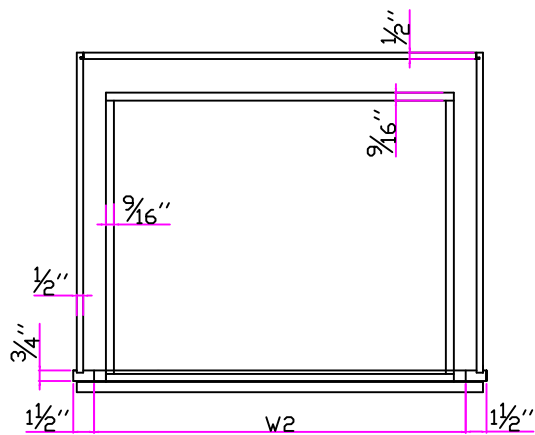
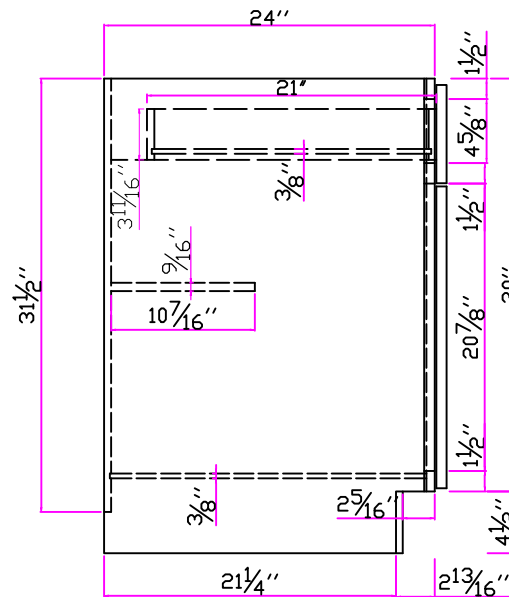
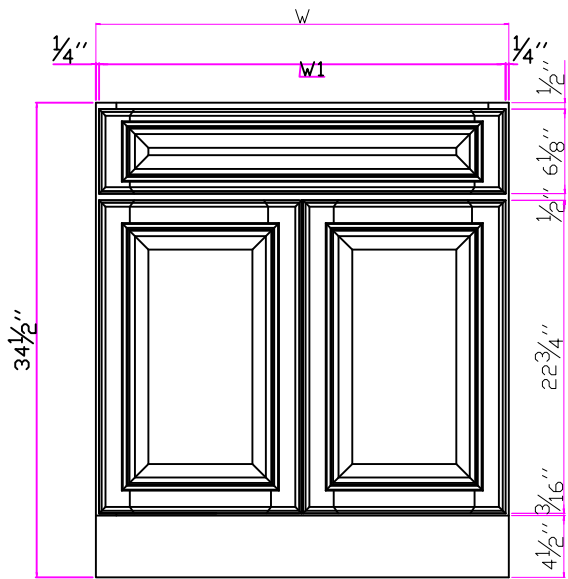


REVISIONS



**SVH**  
**SVM**

B12-B21

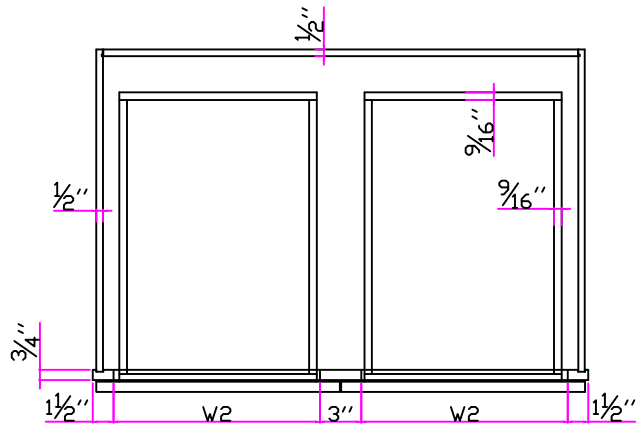
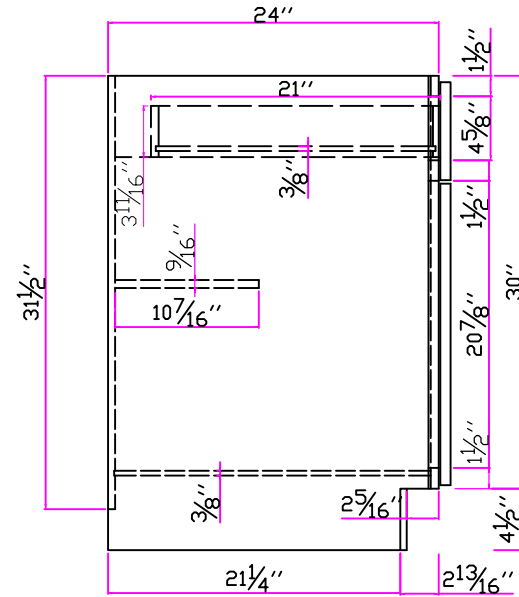
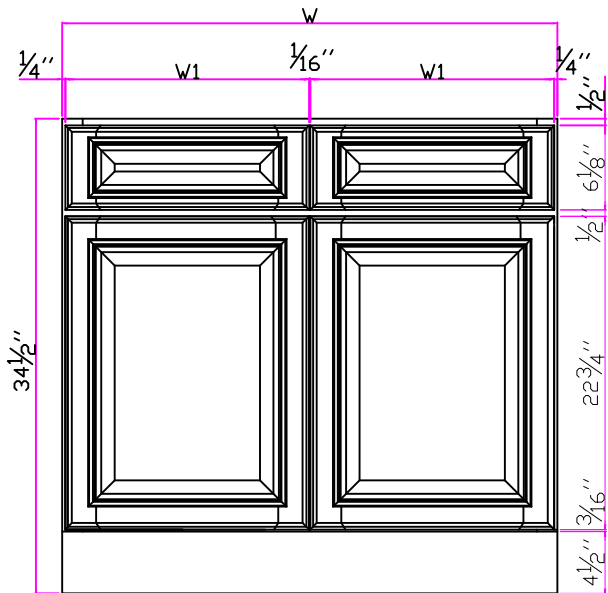


REVISIONS



**SVH**  
**SVM**

B24-B30

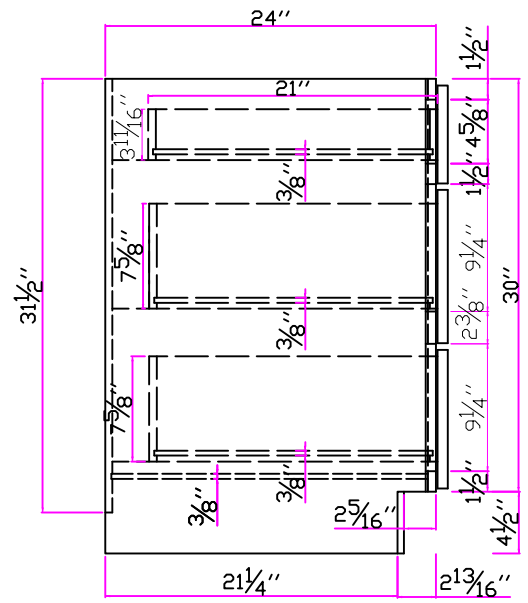
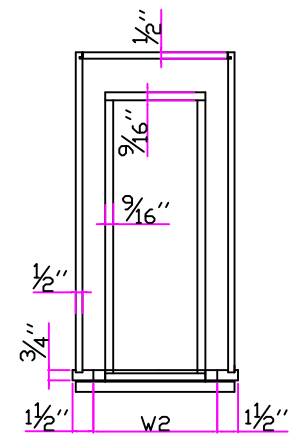
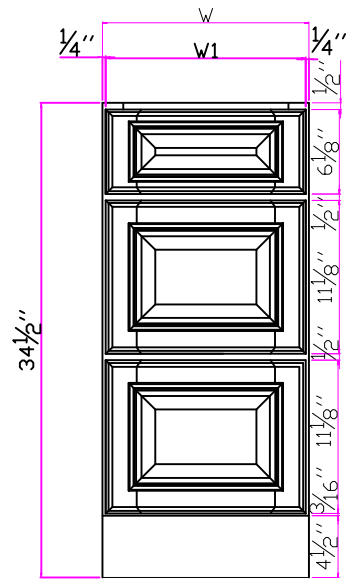


REVISIONS



**SVH  
SVM**

B33-B36

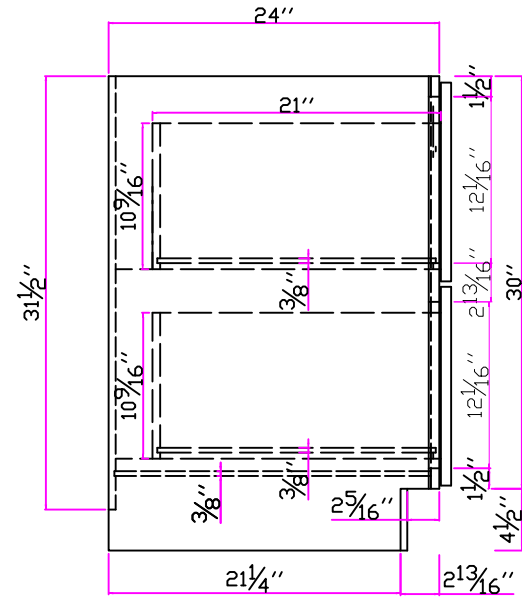
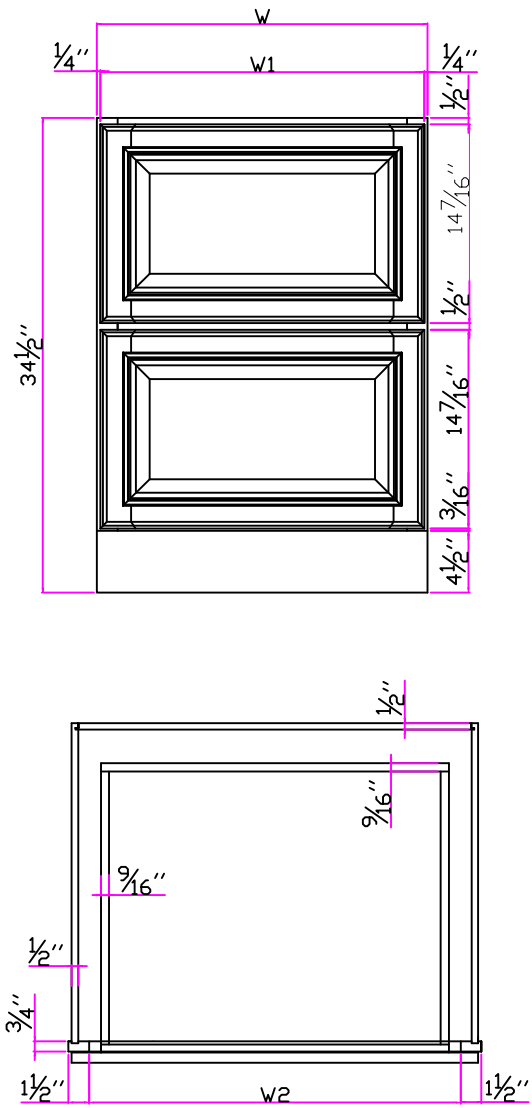


REVISIONS




**SVH  
SVM**

DB15-DB30

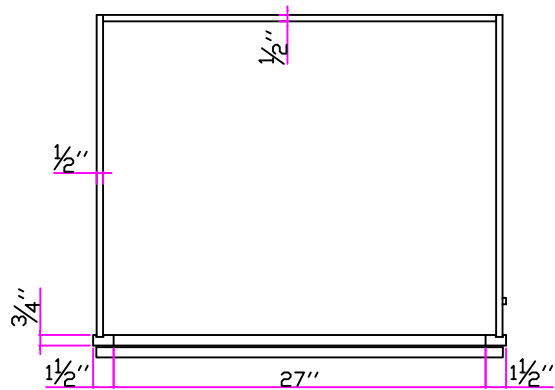
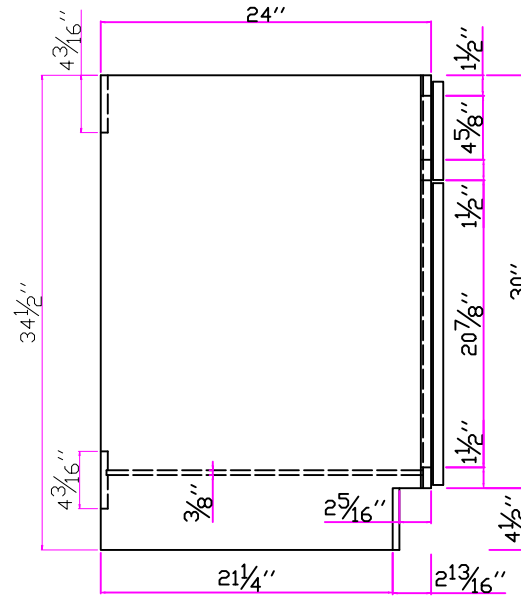
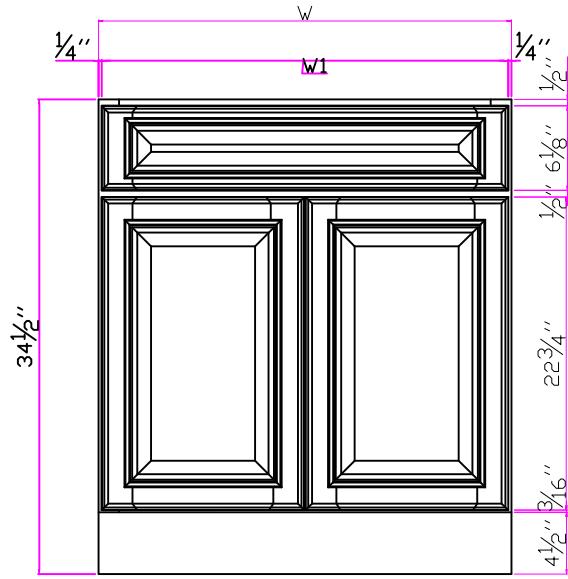


REVISIONS



**SVH**  
**SVM**

DB24-2  
DB30-2



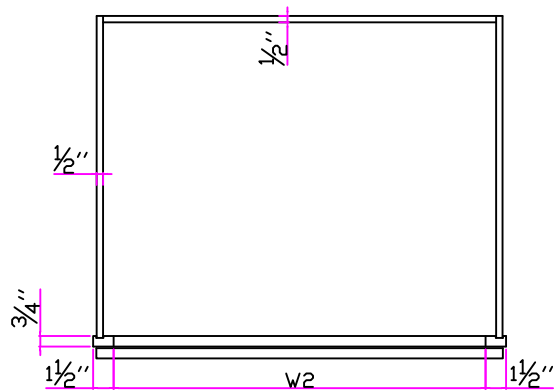
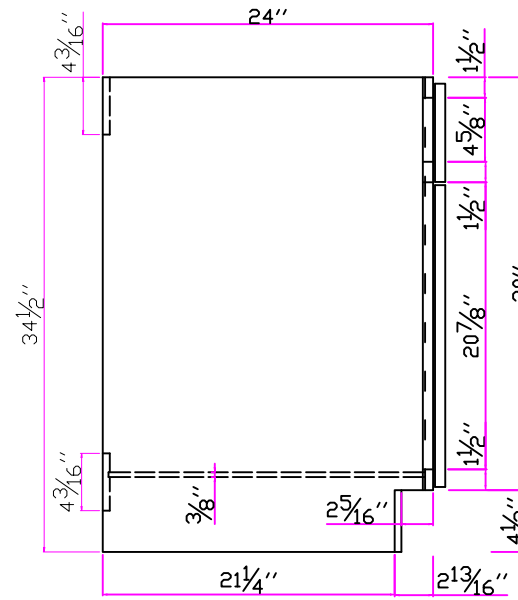
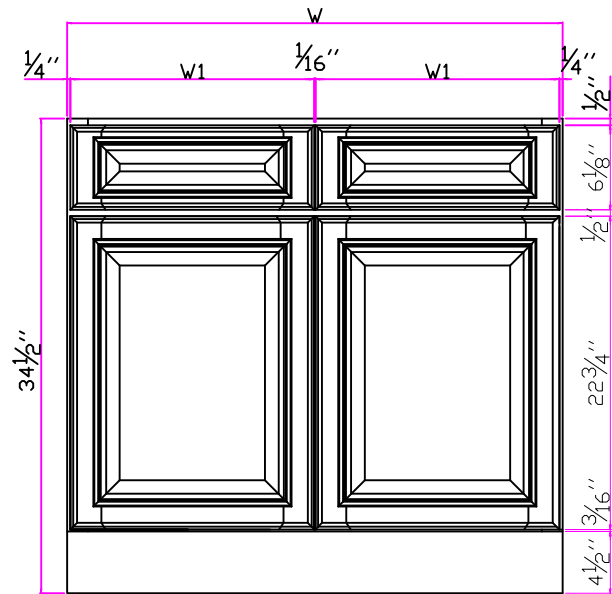
REVISIONS




**SVH**  
**SVM**

SB30



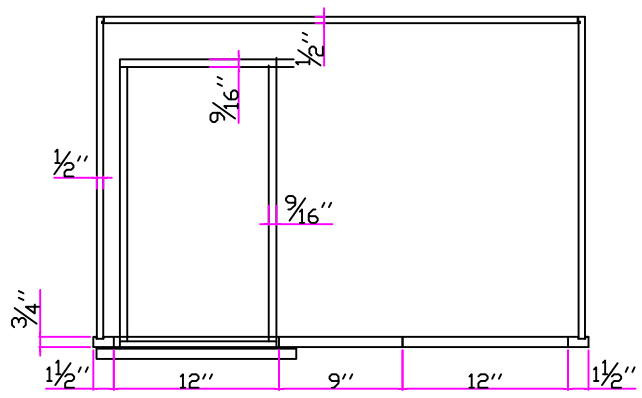
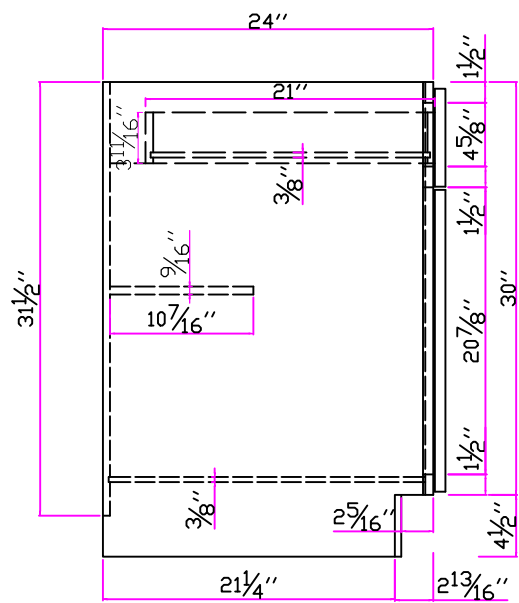
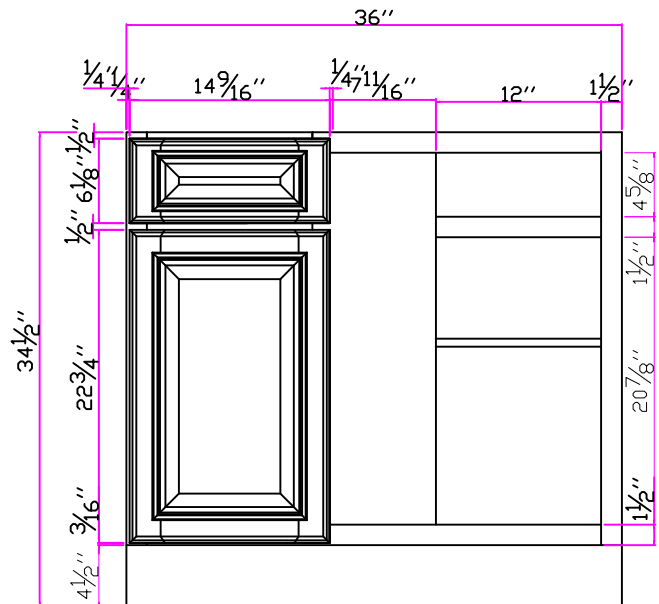


REVISIONS




**SVH**  
**SVM**

SB33-SB42

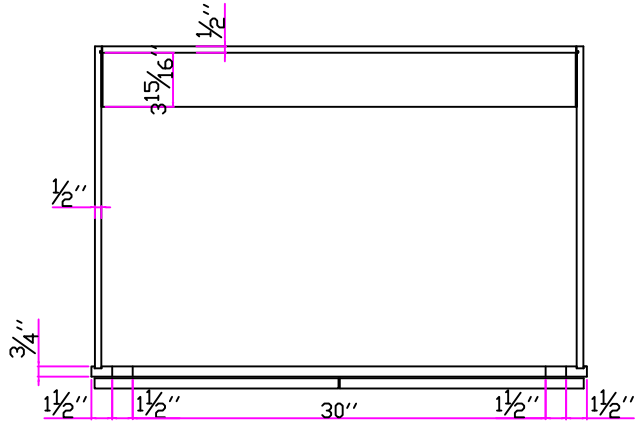
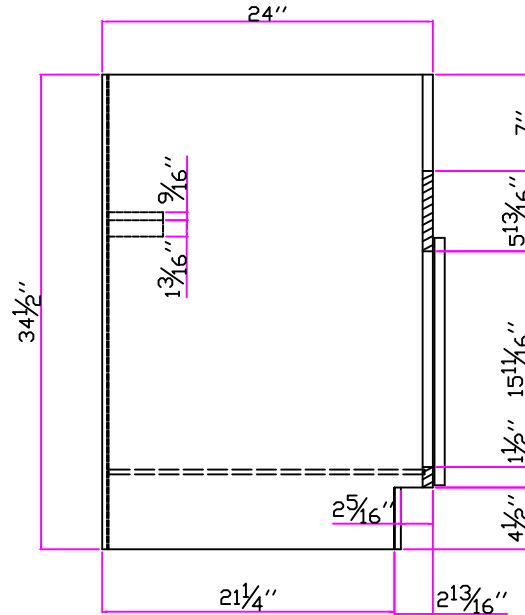
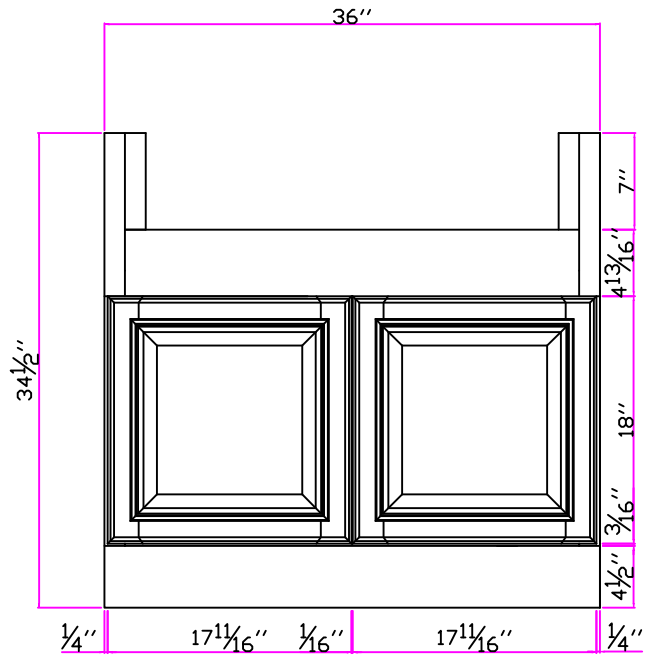


REVISIONS




**SVH  
SVM**

BBC42-45

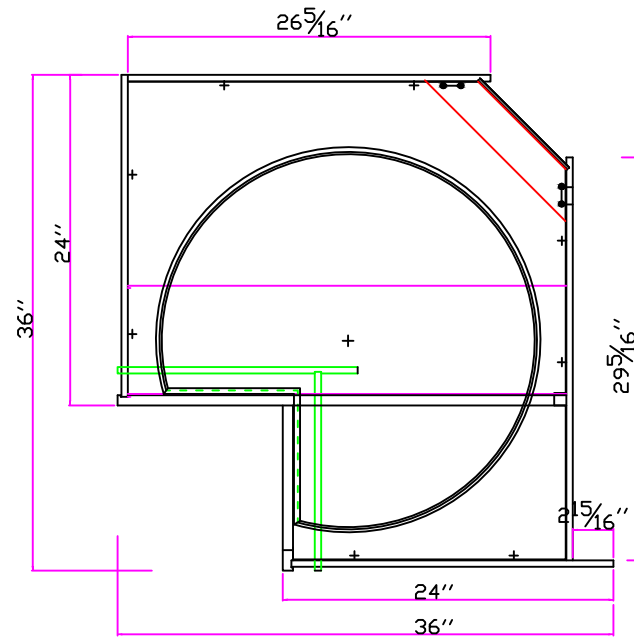
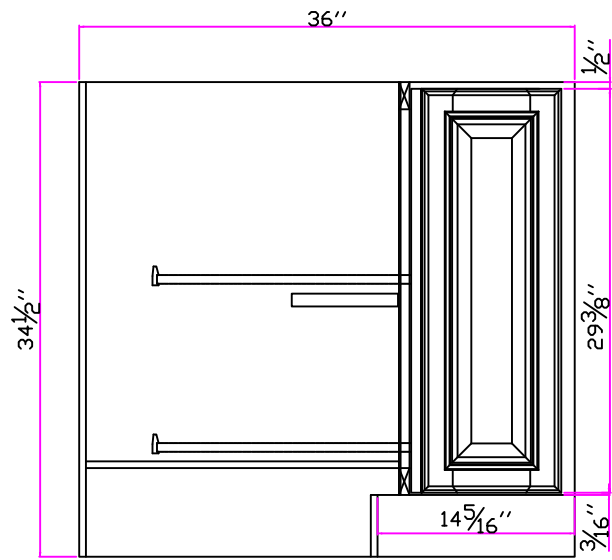


REVISIONS




**SVH**  
**SVM**

FSB36

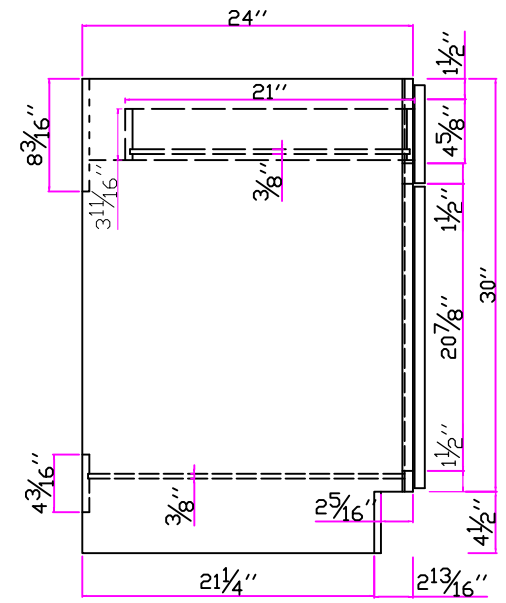
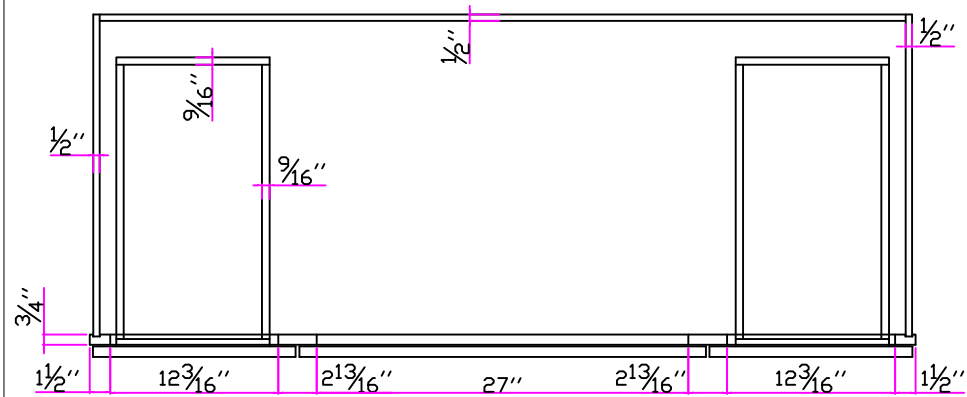
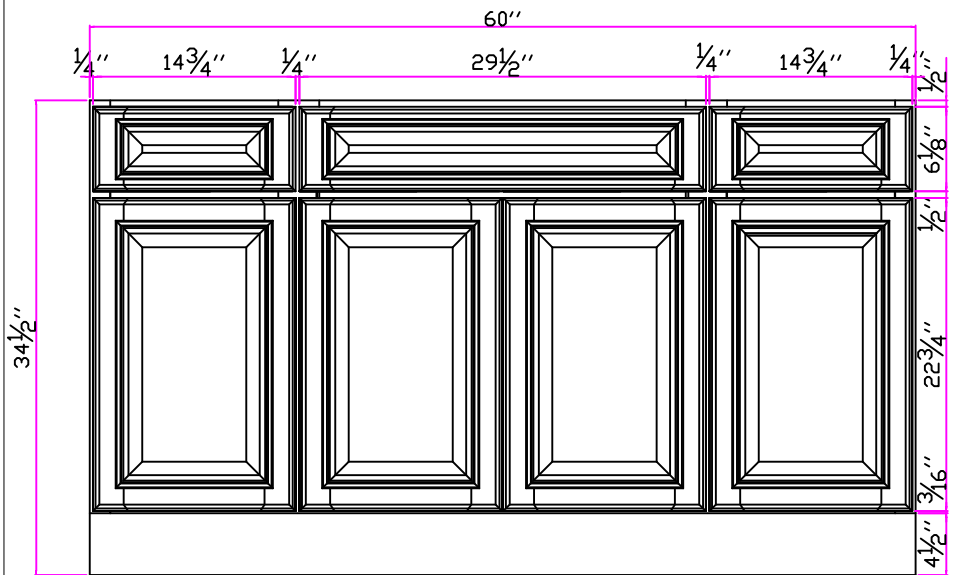


REVISIONS



**SVH**  
**SVM**

DCB3612

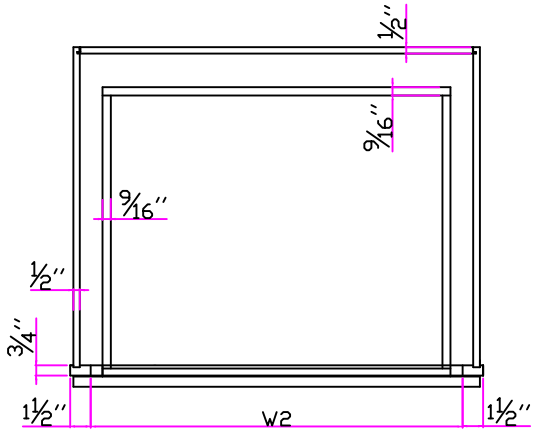
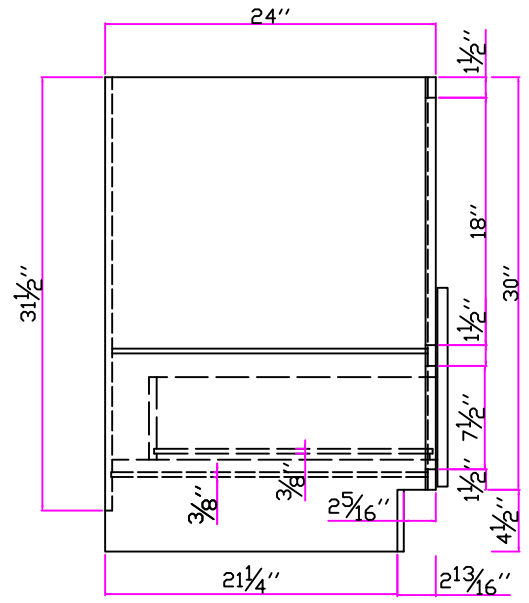
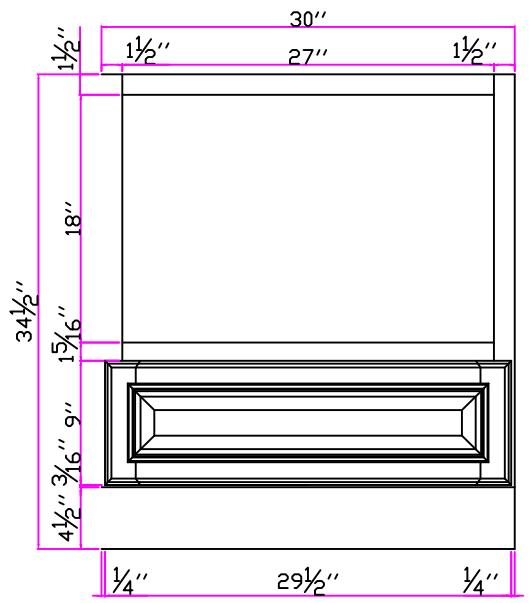


REVISIONS




**SVH  
SVM**

SB60

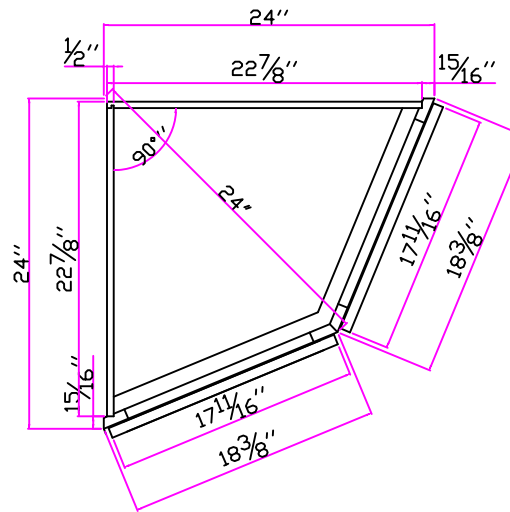
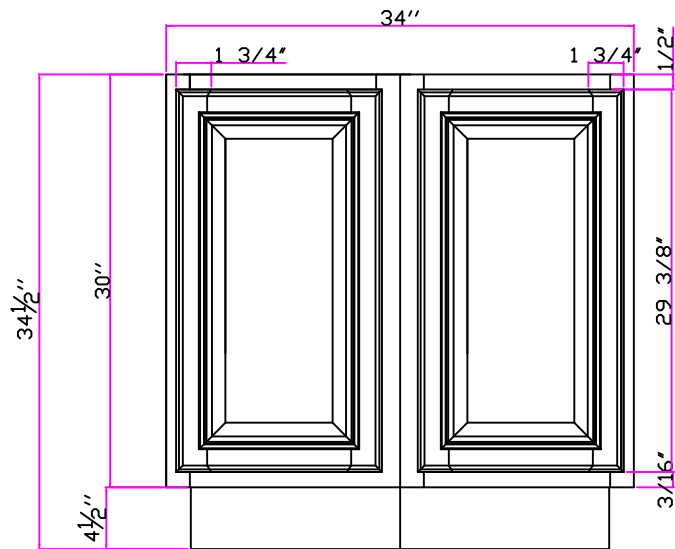


REVISIONS




**SVH**  
**SVM**

MB30

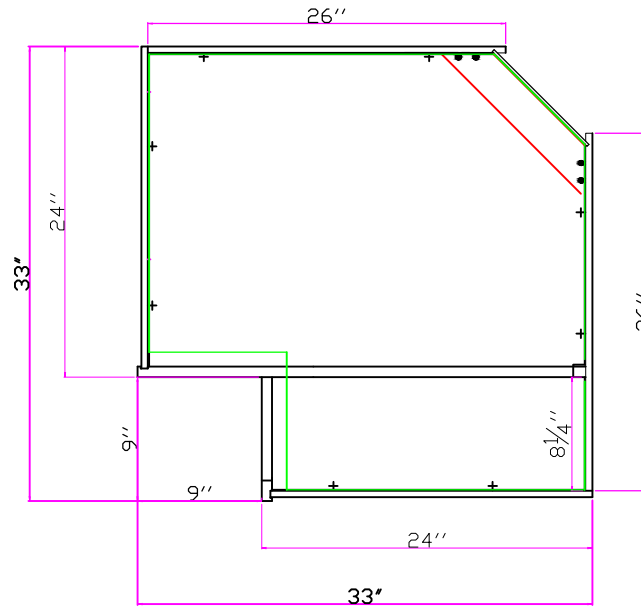
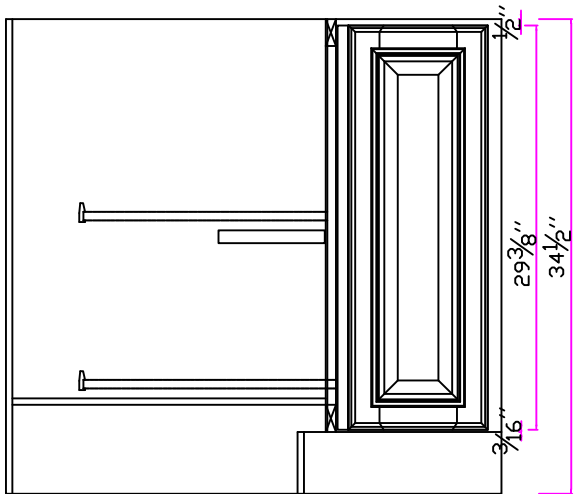


REVISIONS



**SVH**  
**SVM**

BC24



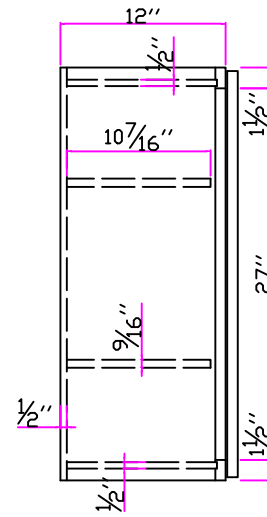
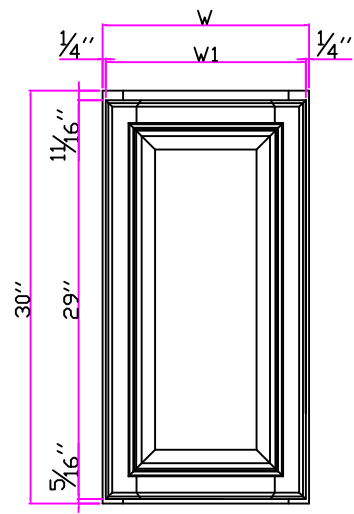
REVISIONS




**SVH**  
**SVM**

ER3309



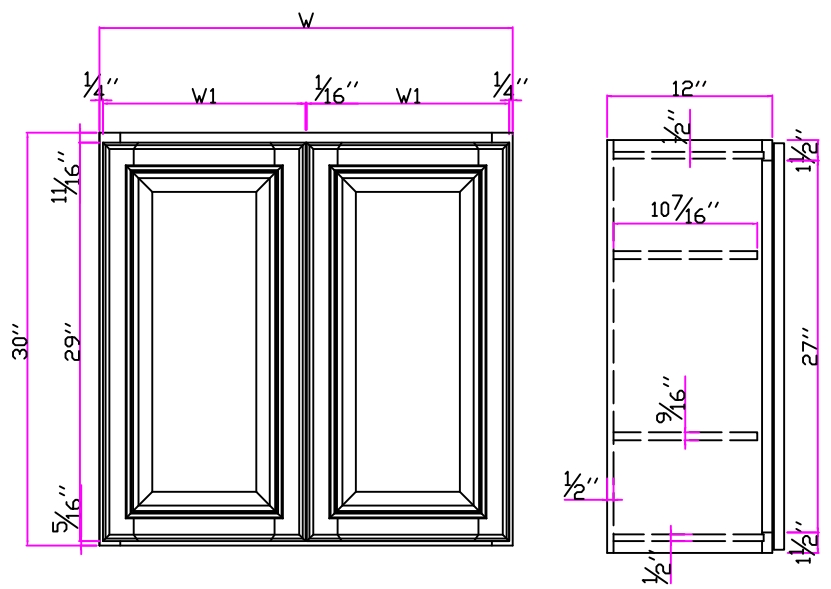


REVISIONS




**SVH**  
**SVM**

W0930-W2130

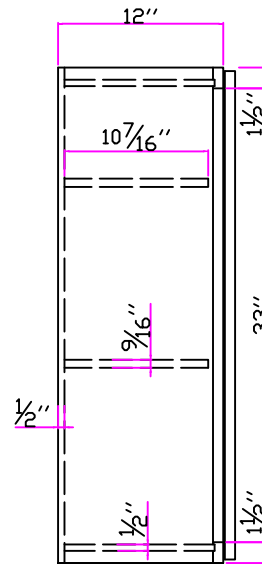
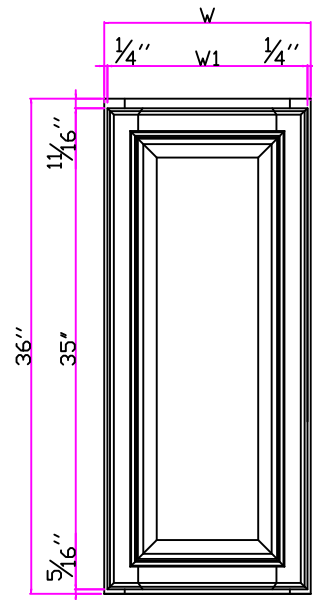


REVISIONS



**SVH**  
**SVM**

W2430-W3630



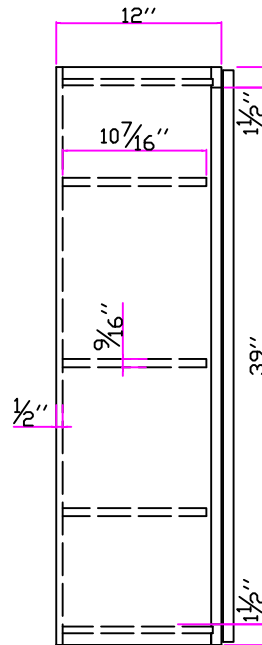
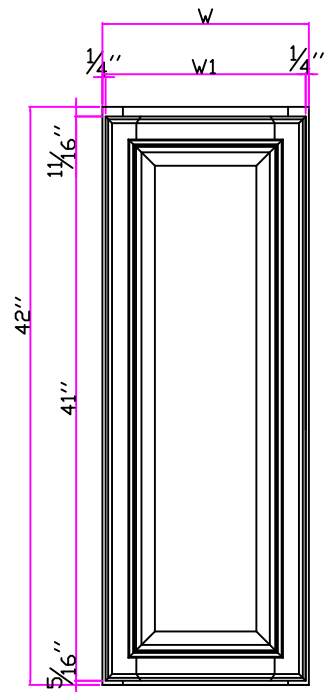
REVISIONS




**SVH**  
**SVM**

W0936-2136



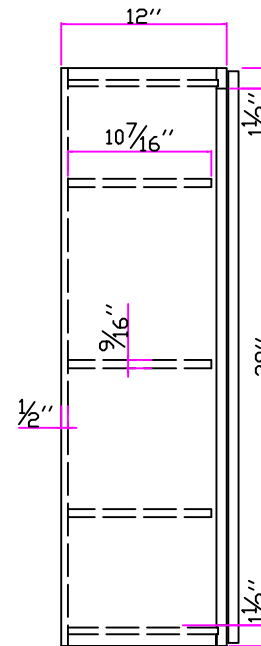
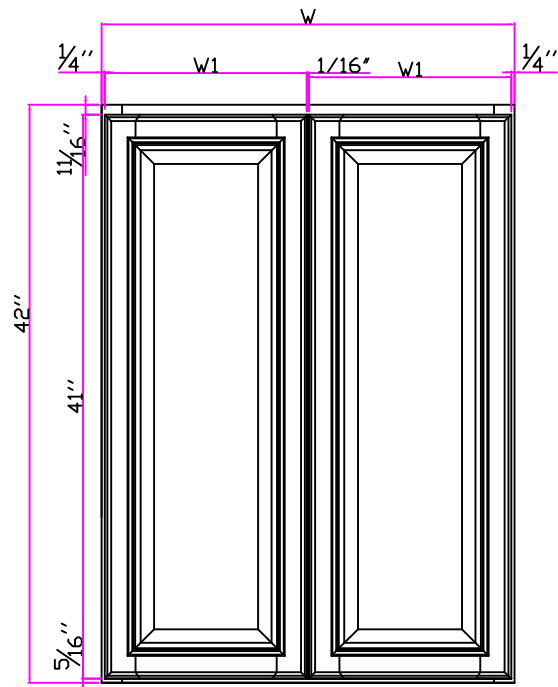


REVISIONS




**SVH**  
**SVM**

W0942-W2142

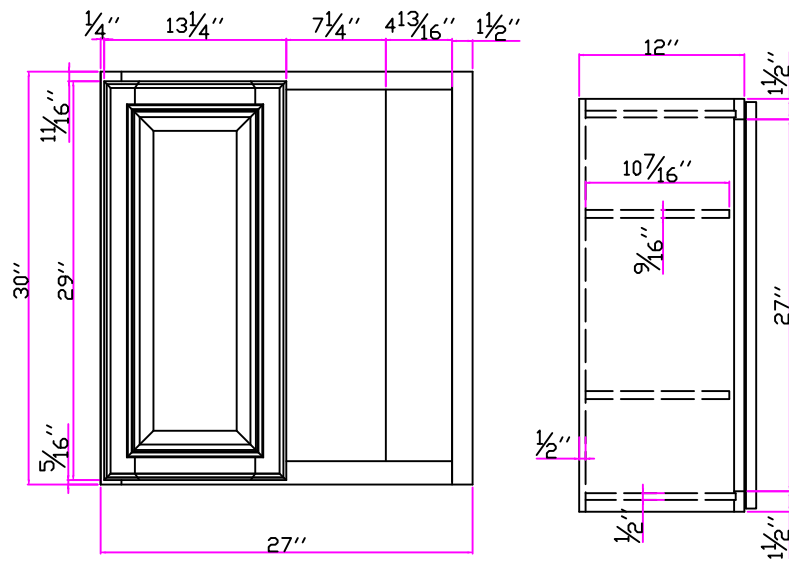


REVISIONS




**SVH**  
**SVM**

W2442-W3642

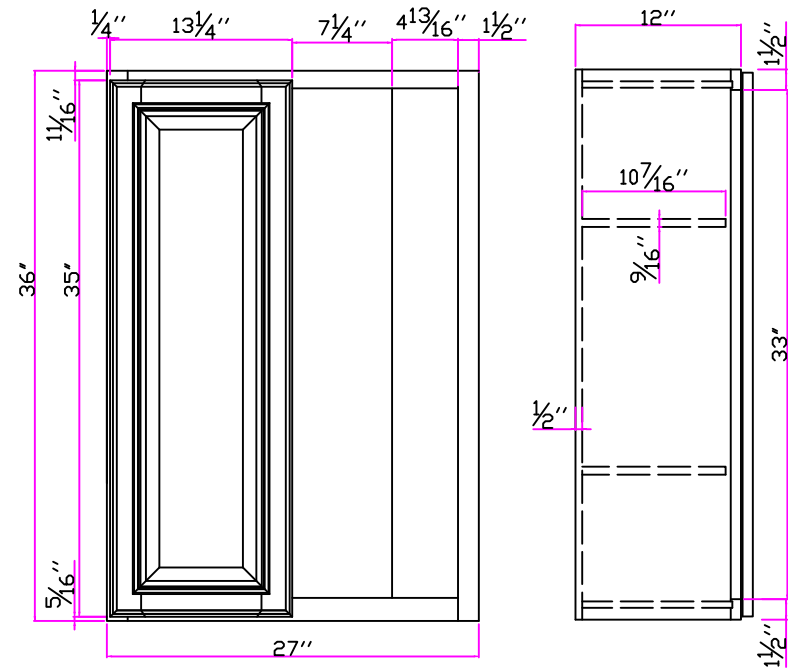


REVISIONS




**SVH**  
**SVM**

WBC2730



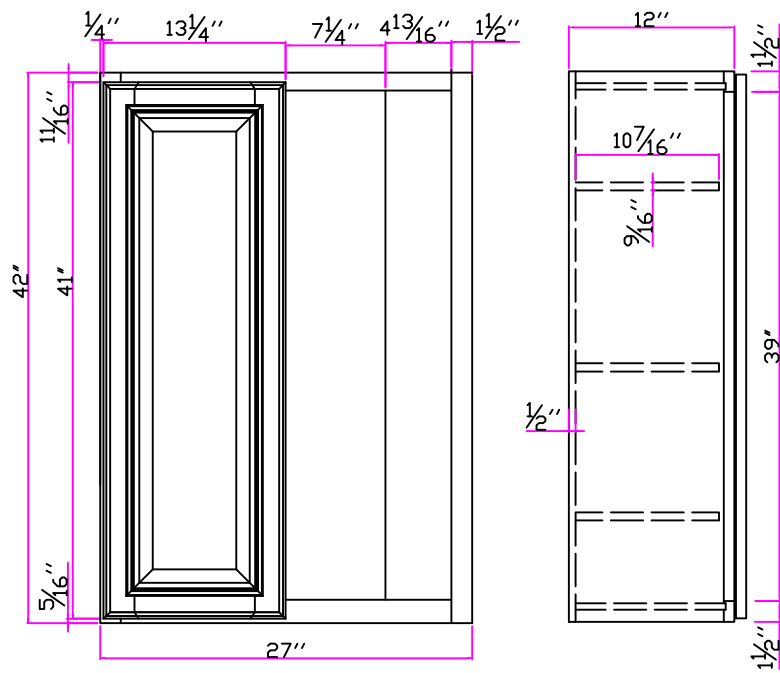
REVISIONS



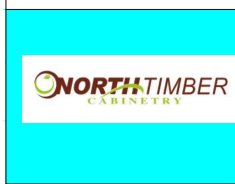
**SVH**  
**SVM**

WBC2736



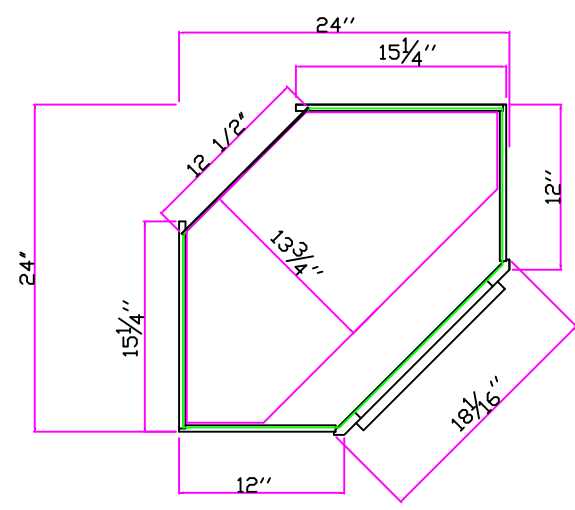
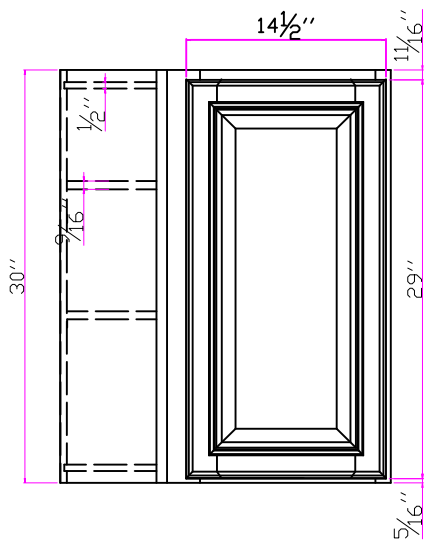


REVISIONS

**SVH**  
**SVM**

WBC2742

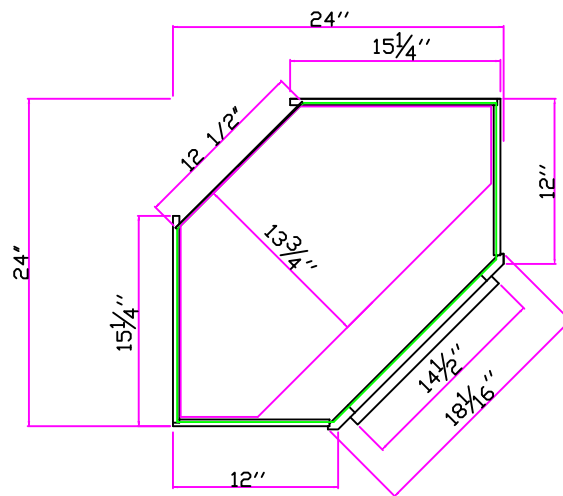
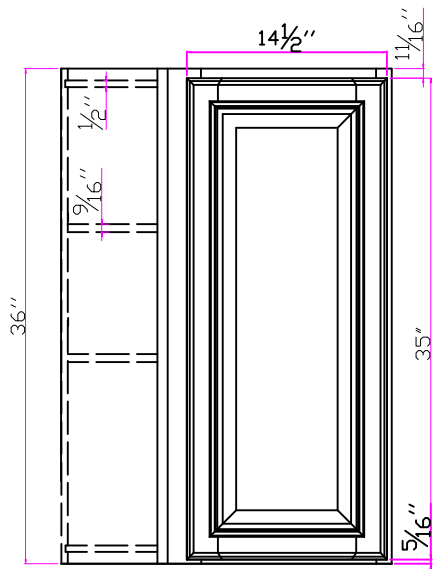


REVISIONS



**SVH**  
**SVM**

WDC2430

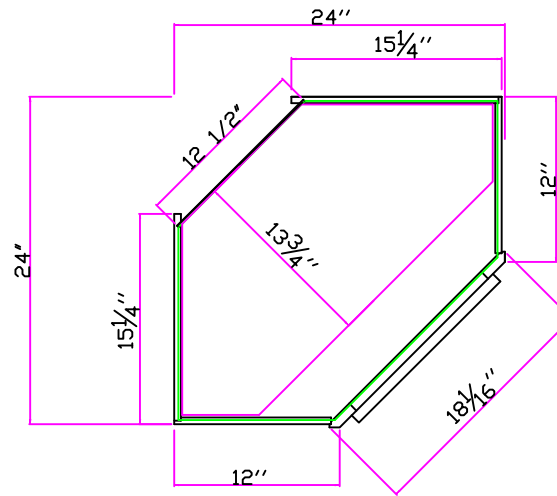
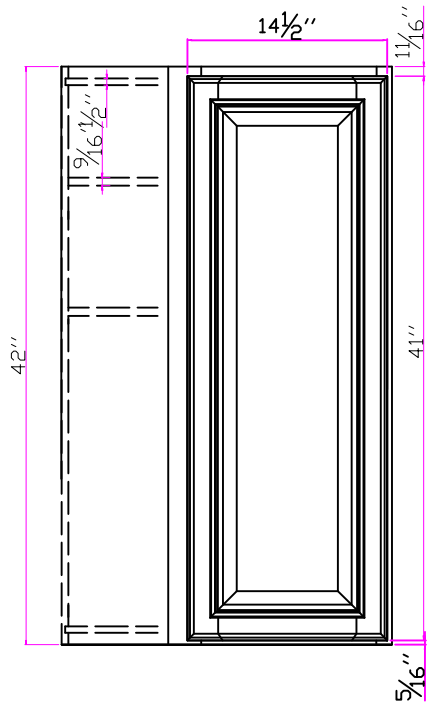


REVISIONS




**SVH**  
**SVM**

WDC2436

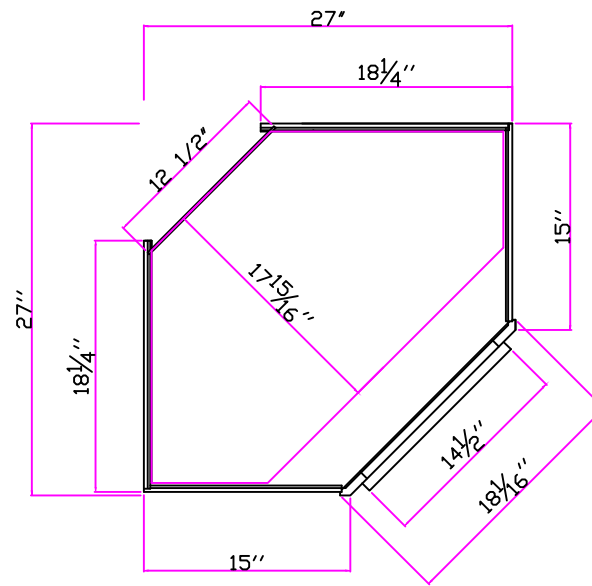
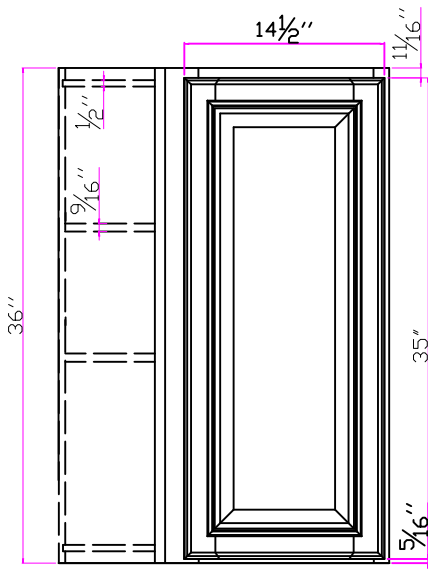


REVISIONS




**SVH**  
**SVM**

WDC2442

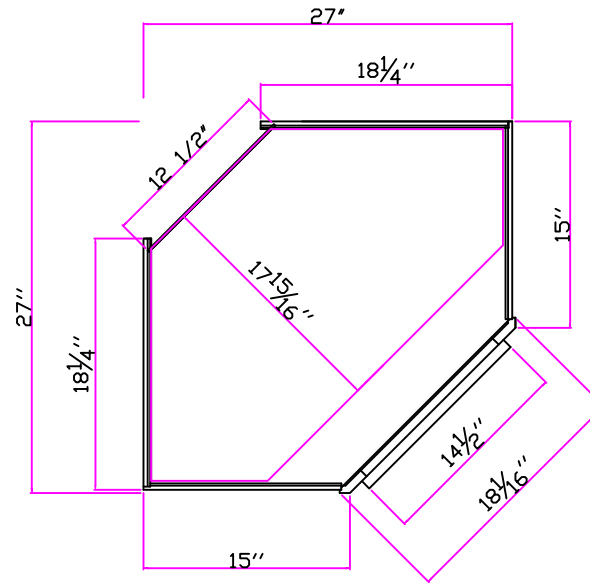
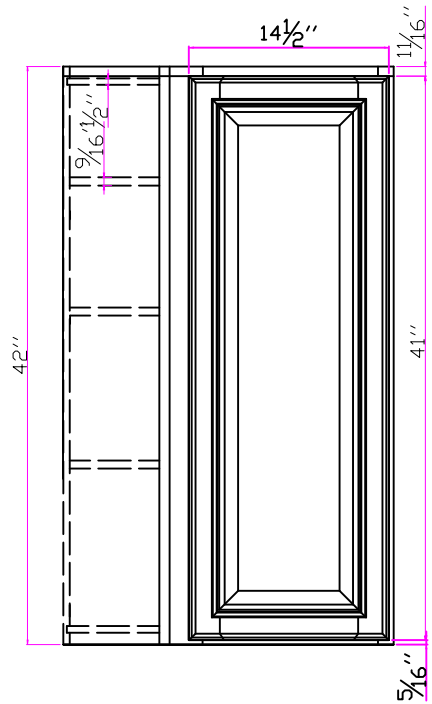


REVISIONS



**SVH**  
**SVM**

WDC2736

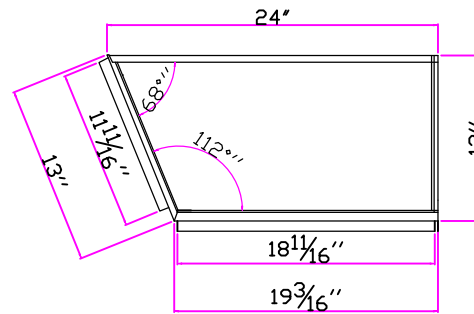
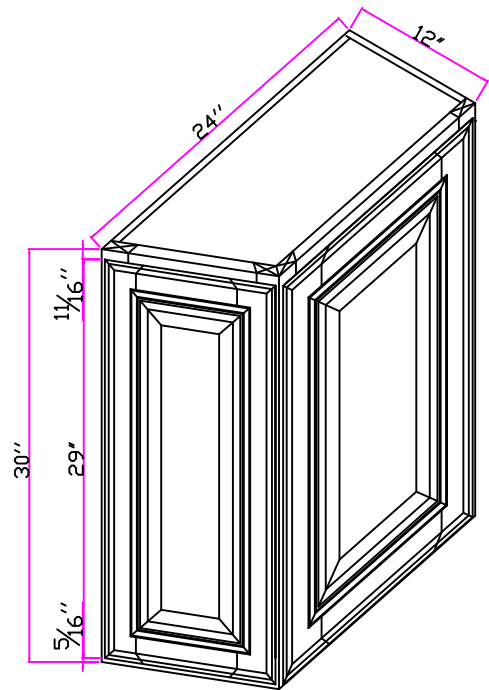


REVISIONS




**SVH  
SVM**

WDC2742

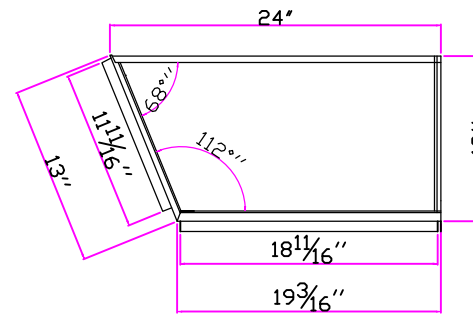
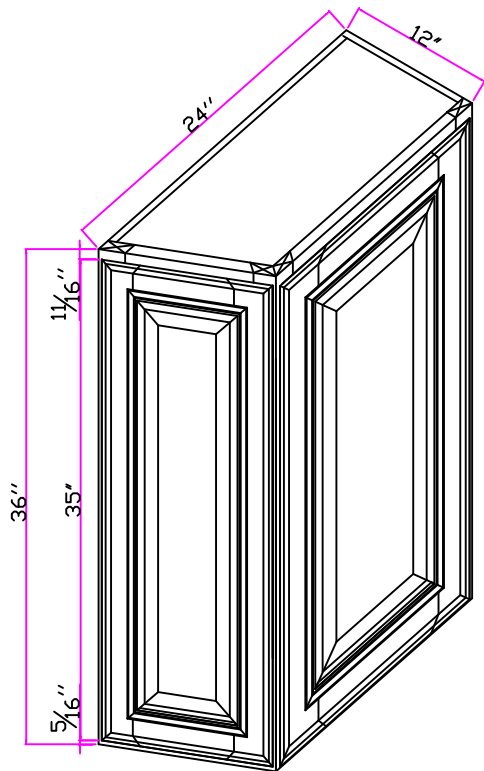


REVISIONS




**SVH**  
**SVM**

WAC2430



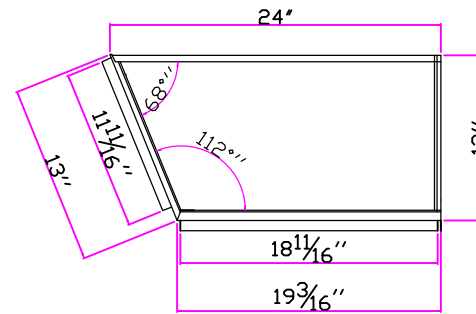
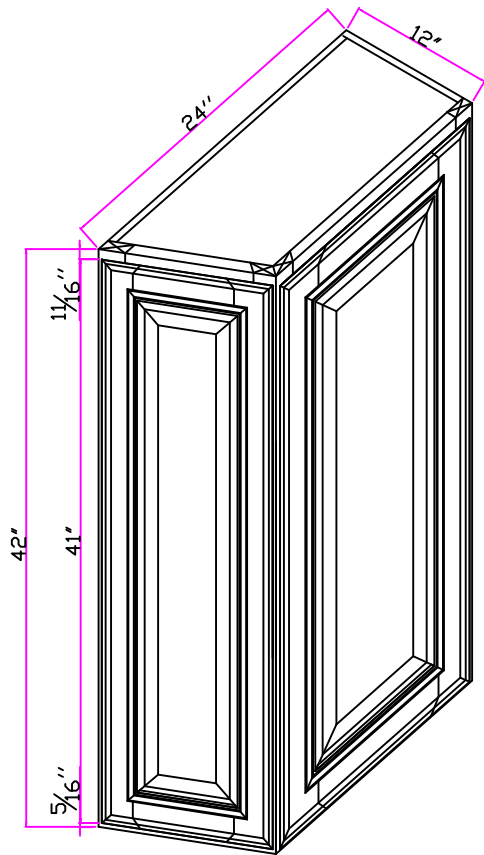
REVISIONS




**SVH**  
**SVM**

WAC2436



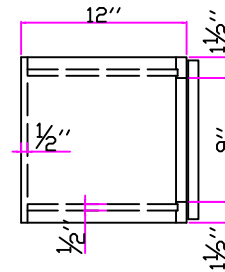
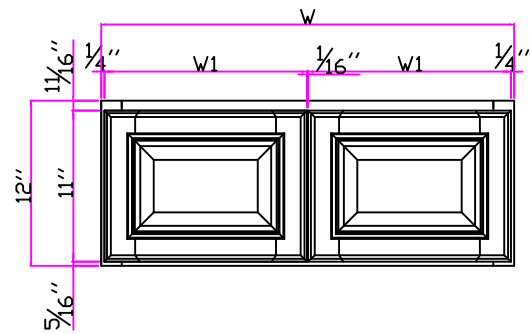


REVISIONS




**SVH**  
**SVM**

WAC2442

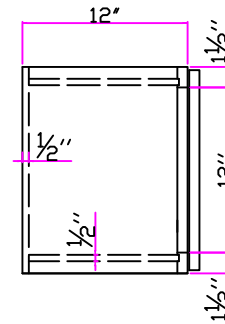
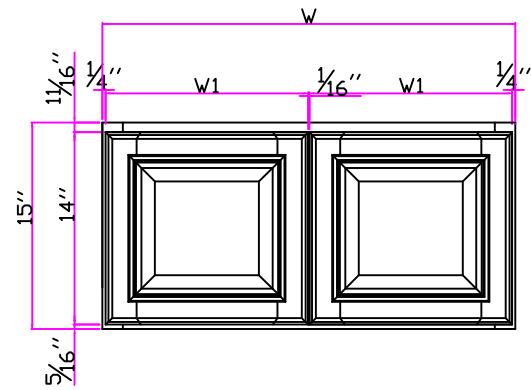


REVISIONS




**SVH**  
**SVM**

W3012-W3612

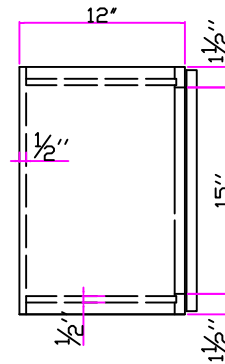
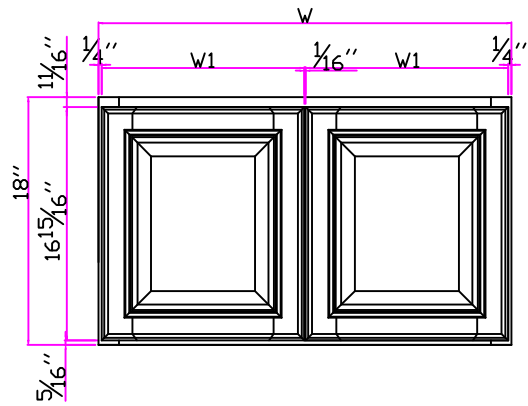


REVISIONS




**SVH**  
**SVM**

W2415-W3615

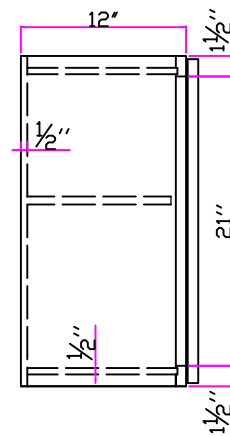
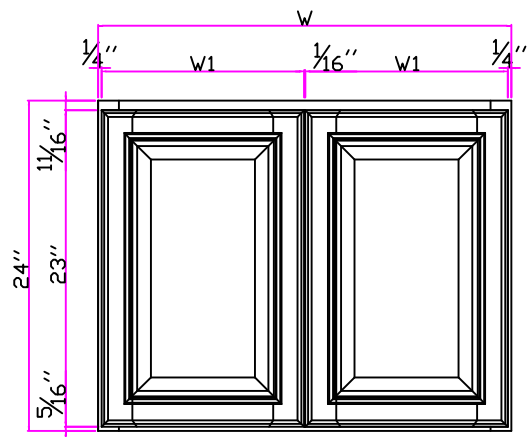


REVISIONS




**SVH**  
**SVM**

W3018-W3618



REVISIONS




**SVH**  
**SVM**

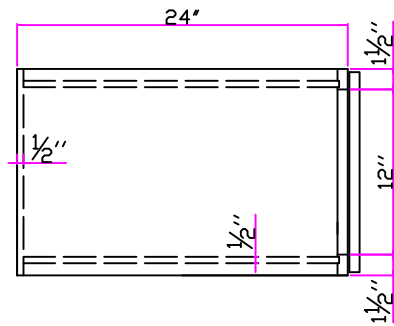
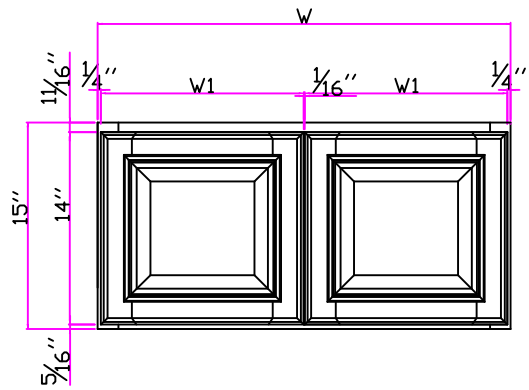
W3024-W3624

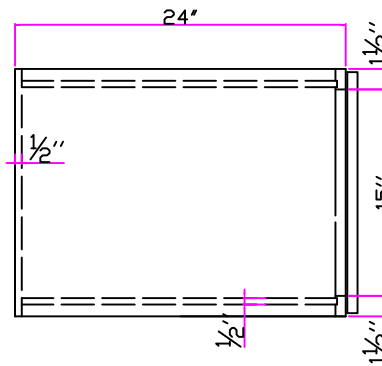
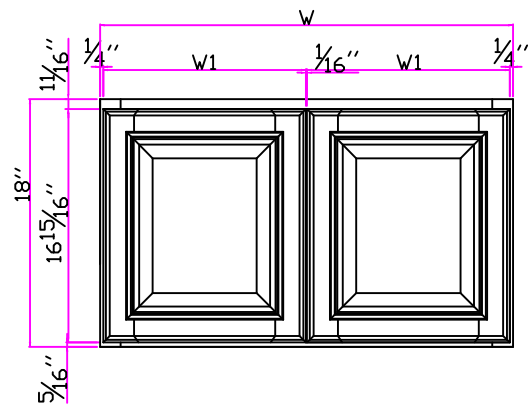
REVISIONS



**SVH**  
**SVM**

W331524  
W361524



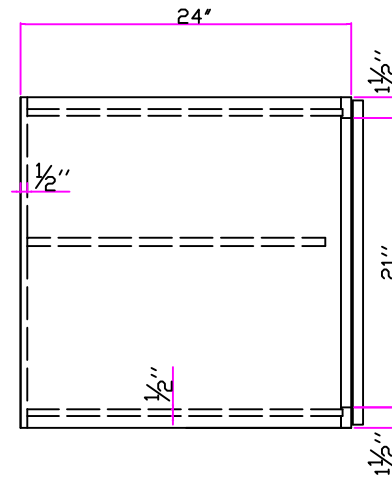
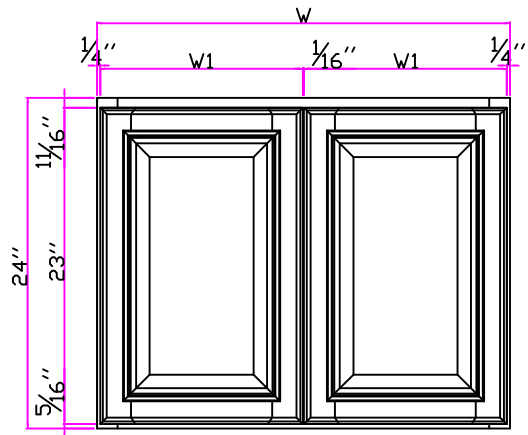


REVISIONS




**SVH**  
**SVM**

W331824  
W361824



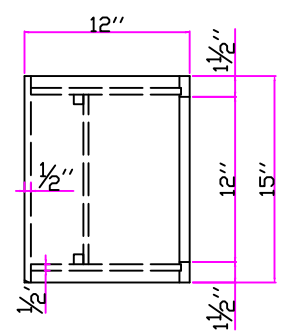
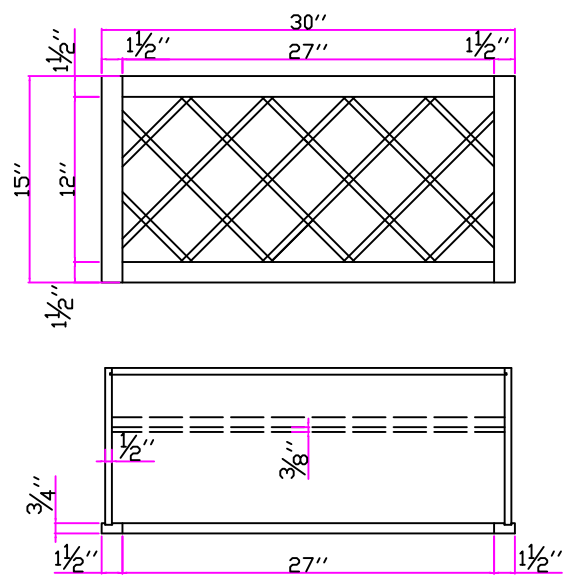
REVISIONS




**SVH**  
**SVM**

W332424  
W362424



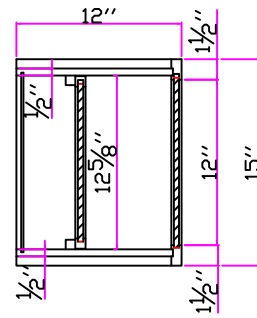
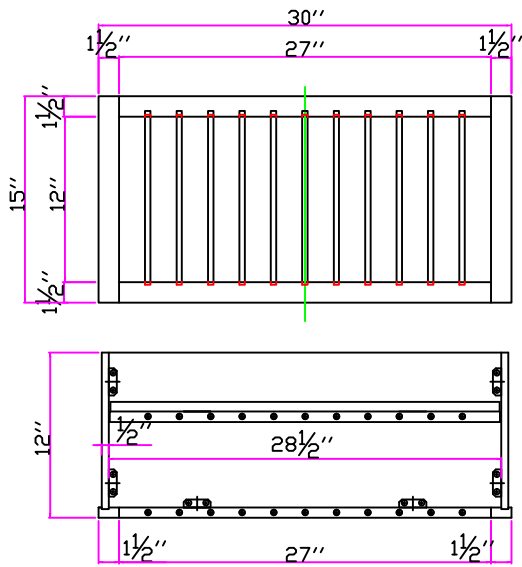


REVISIONS



**SVH**  
**SVM**

WR3015



REVISIONS




**SVH**  
**SVM**

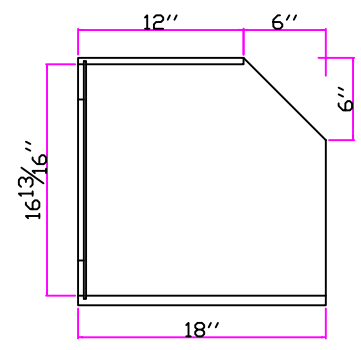
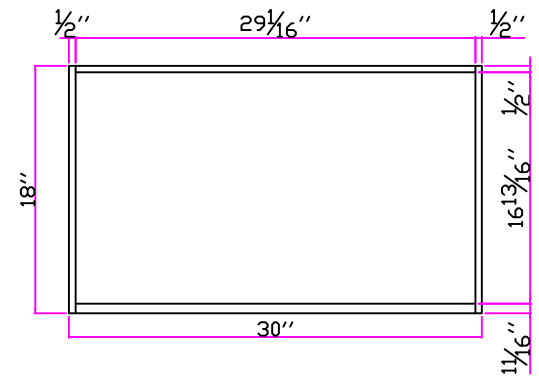
PR3015

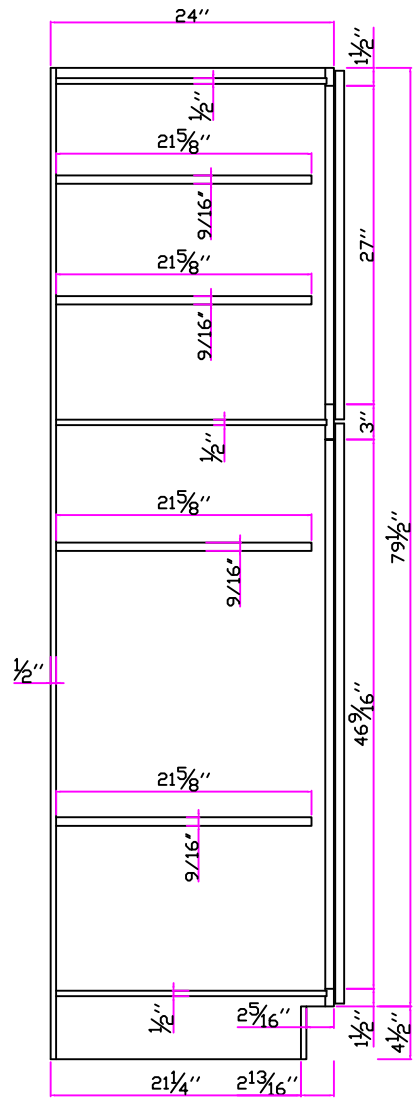
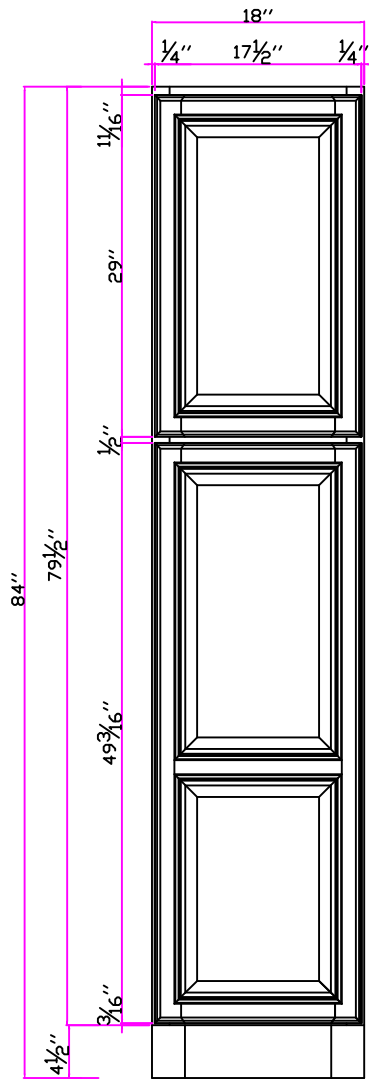
REVISIONS




**SVH**  
**SVM**

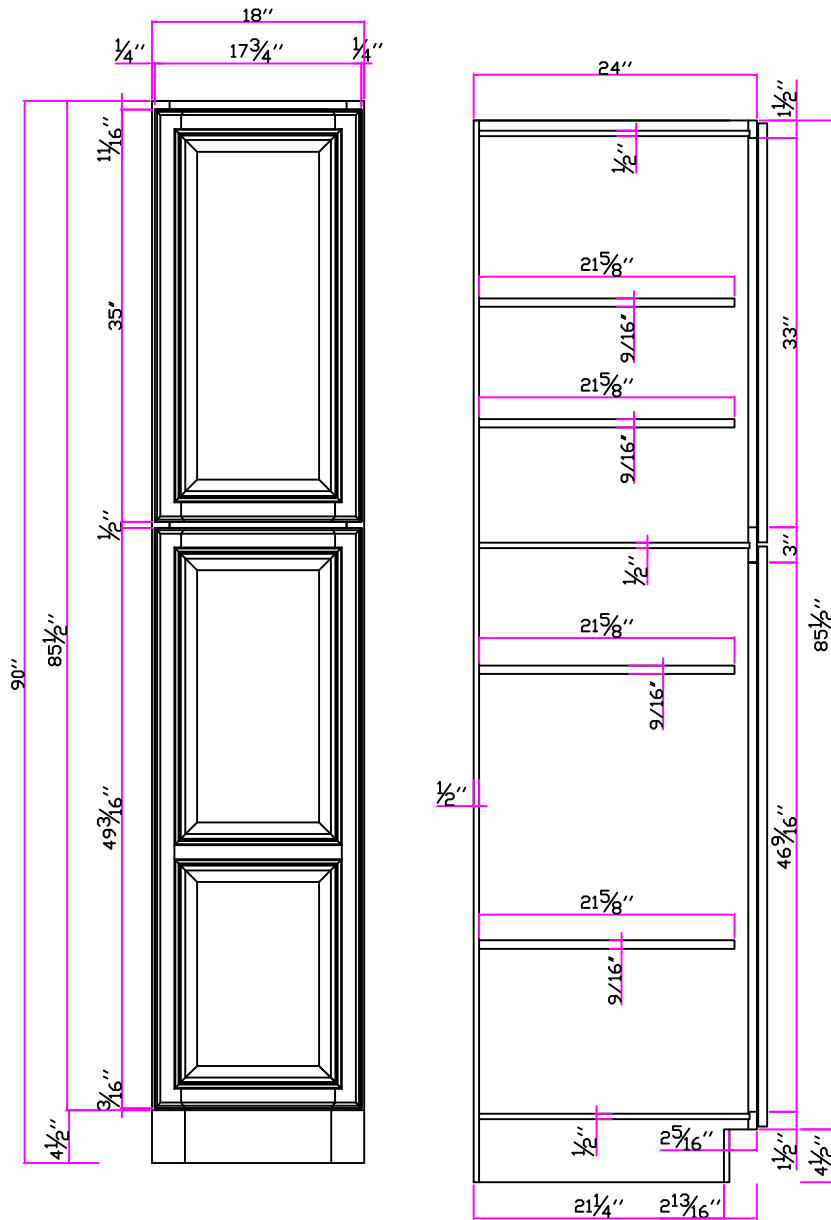
MC3018





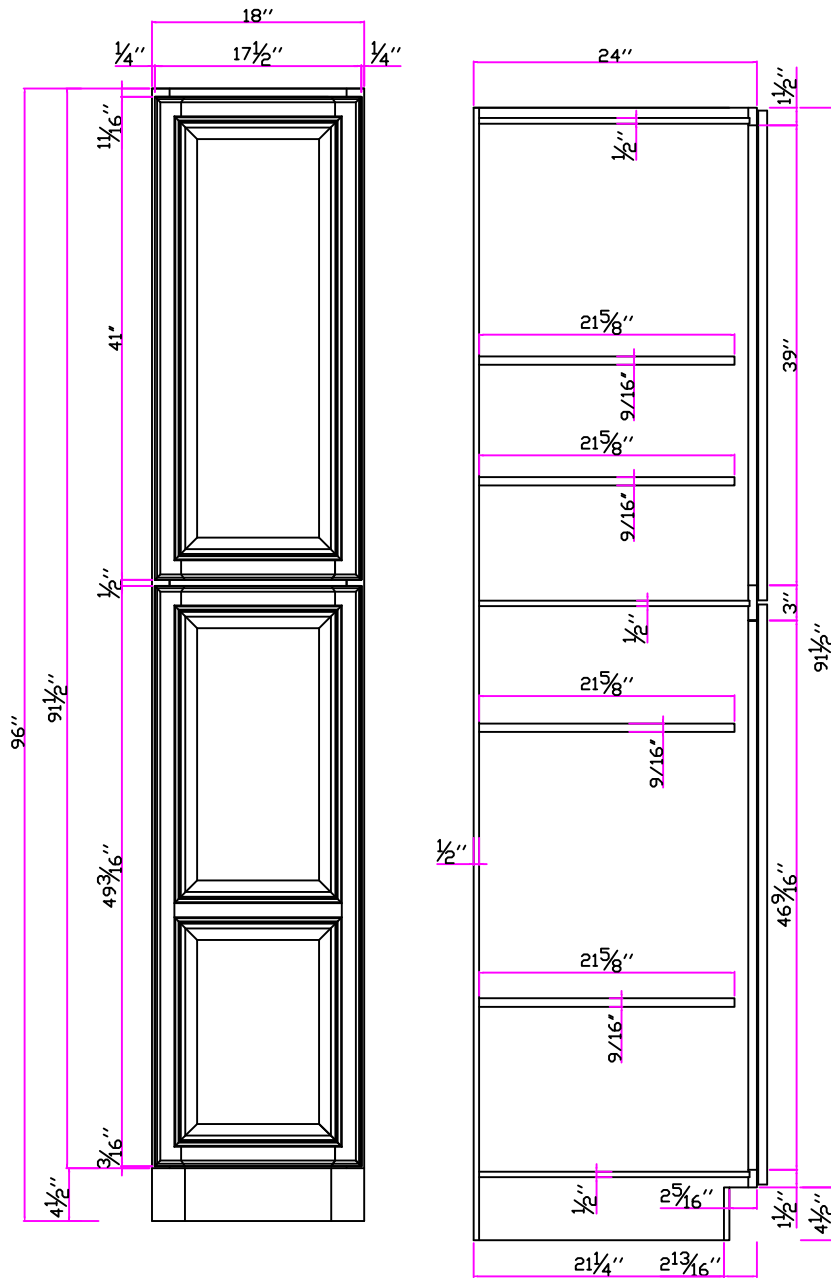
**SVH  
SVM**

WP1884



**SVH  
SVM**

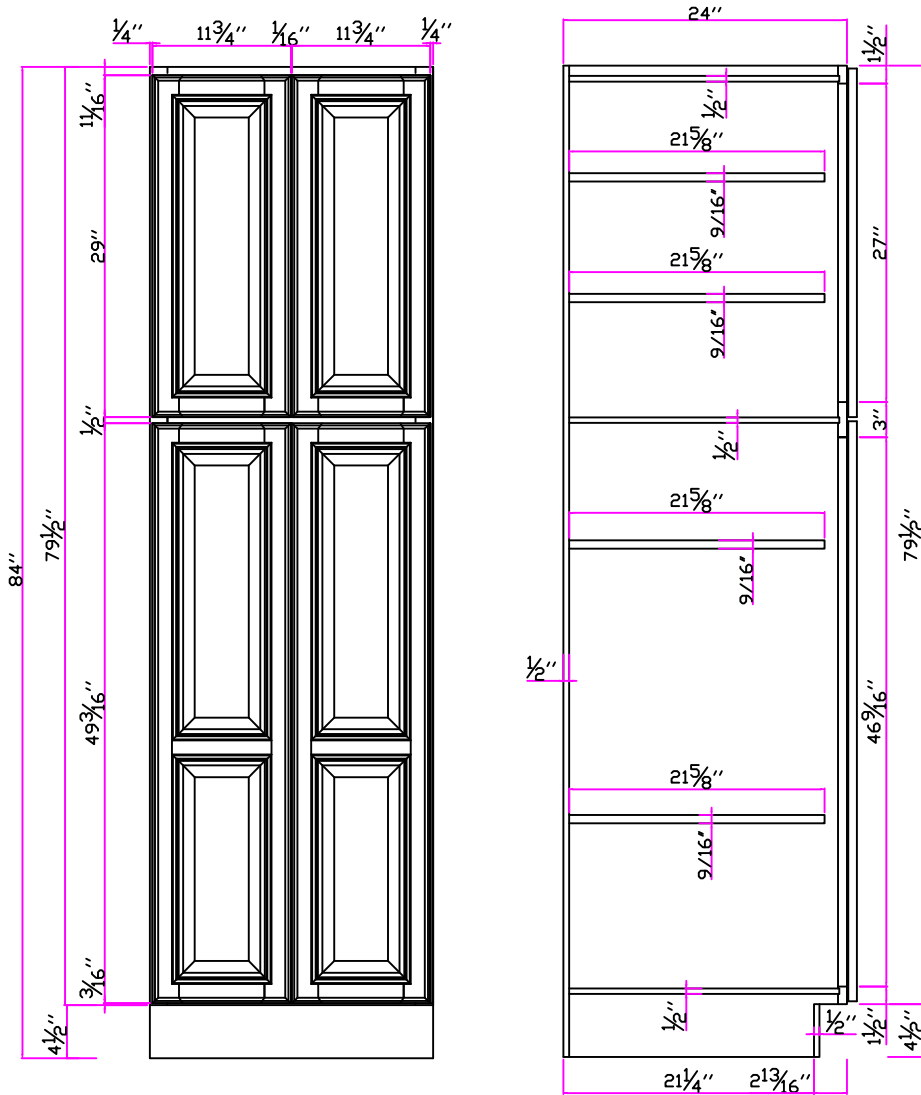
**WP1890**



**NORTH**TIMBER  
CABINETRY

**SVH  
SVM**

WP1896



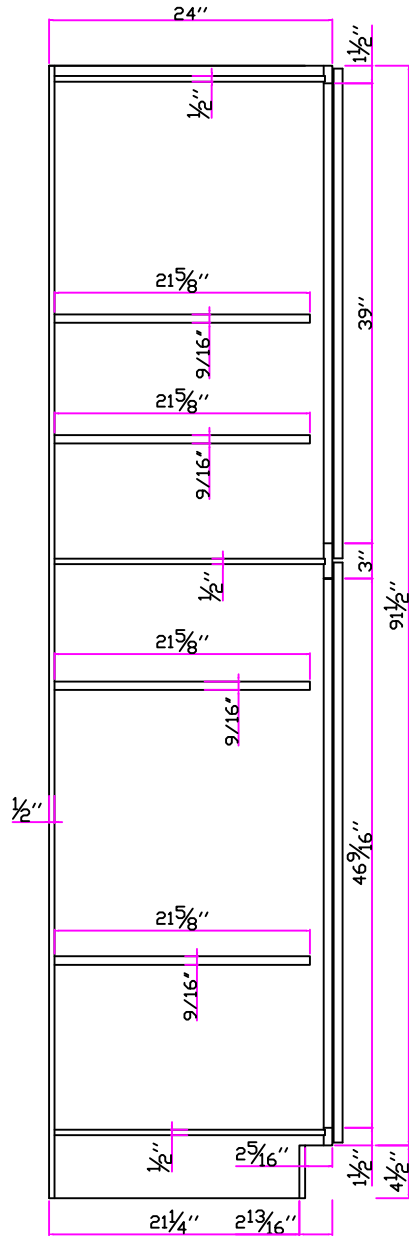
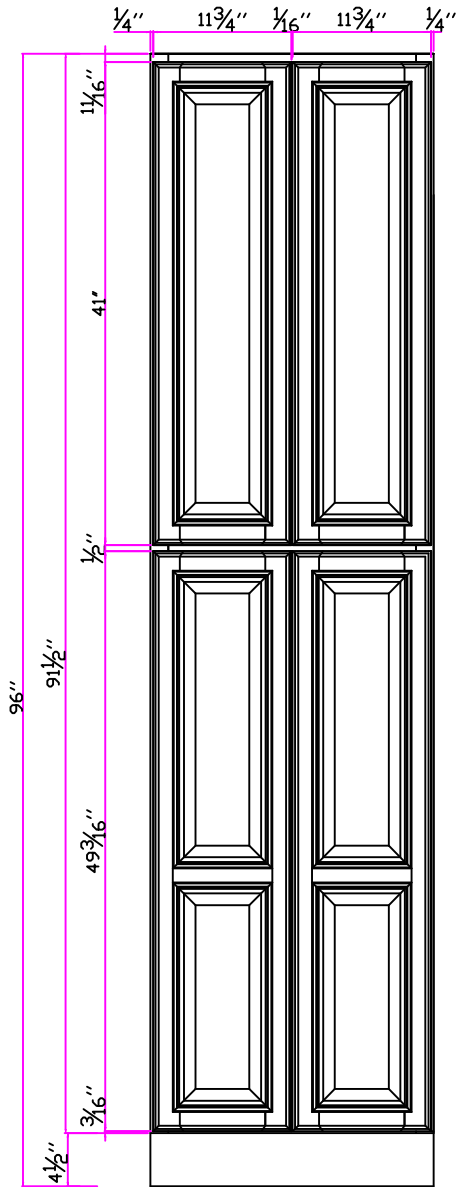
**NORTH**TIMBER  
CABINETS

**SVH  
SVM**

**WP2484**



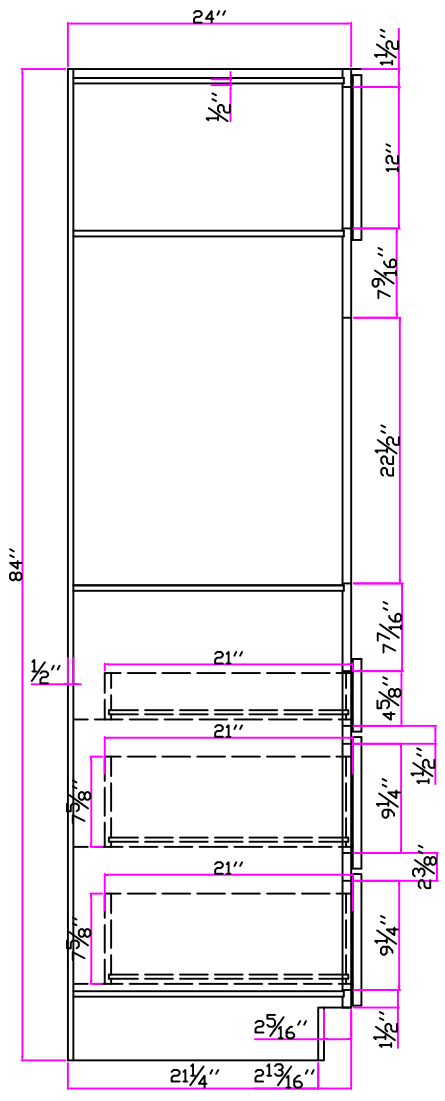
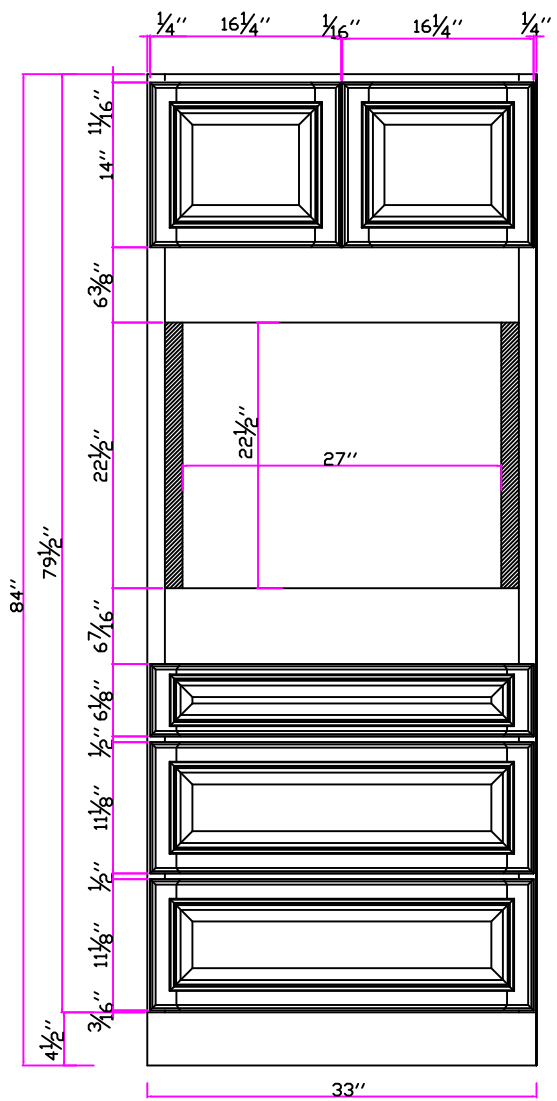




**NORTH**TIMBER  
CABINETS

**SVH  
SVM**

WP2496



**SVH  
SVM**

OU332484

