

ASSEMBLY INSTRUCTIONS

SINK BASE CABINET (SB24, SB27, SB30)

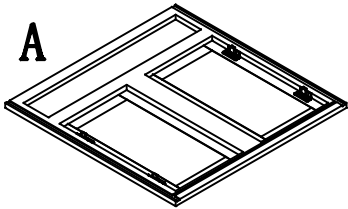
CABINET PARTS LIST

A-Doors & Face Frame B-End Panels(2) D-Bottom Panel E-Top Back Brace
F-Bottom Back Brace H-Toe Kick

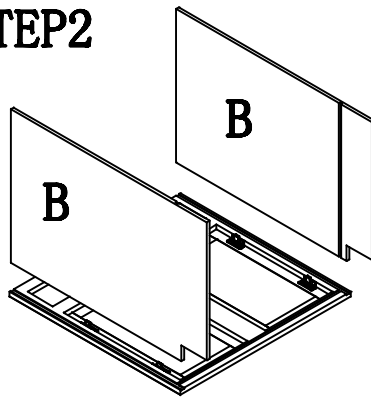
HARDWARE PARTS LIST

1、 Corner Braces(4) 2、 Screws(Ø3.5*25-4) 3、 Screws(Ø3*12-8)

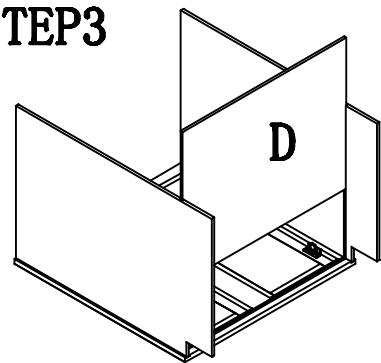
STEP1



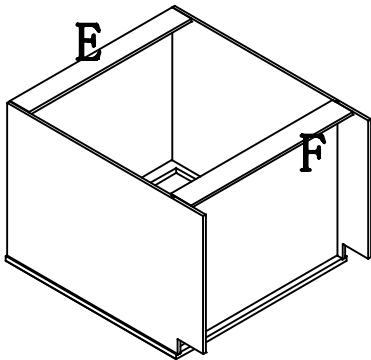
STEP2



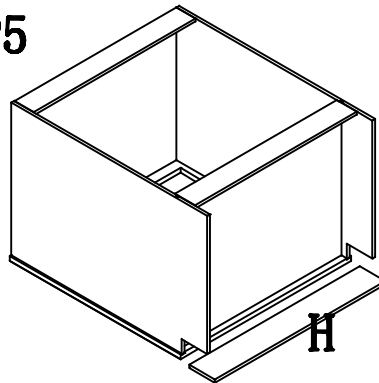
STEP3



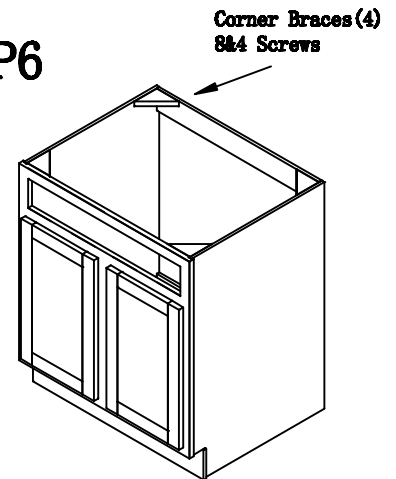
STEP4



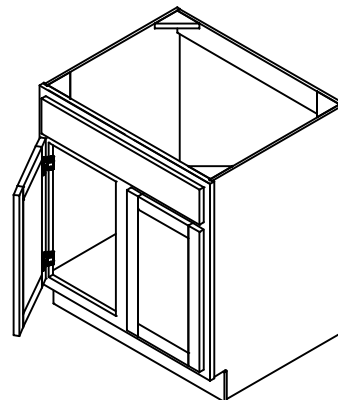
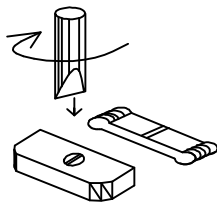
STEP5



STEP6



STEP7



Your cabinet is complete. For installation, consult a professional contractor or building supplier for the proper installation method or materials to be used for your existing wall condition (e.g., wood, concrete, tile, etc.).