

ASSEMBLY INSTRUCTIONS-SRI

PARTS LIST

A-Drawer side panel 3 sets B-Drawer bottom 3 pcs

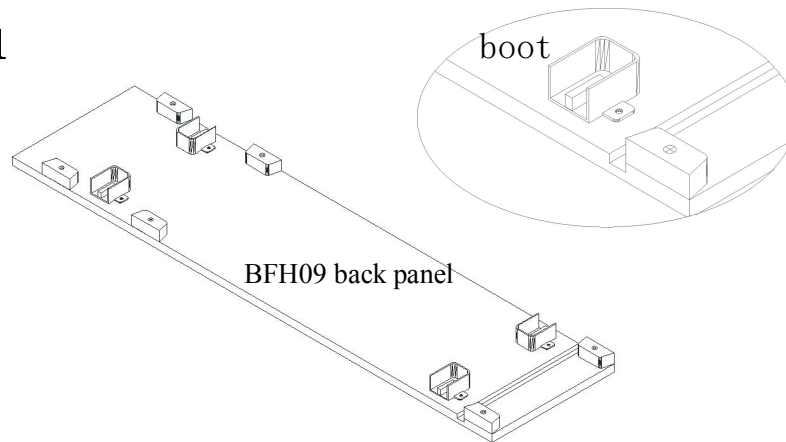
C-Drawer front panel 1 pc D-Drawer back panel 1pc

HARDWARE PARTS LIST

Drawer slide 2 sets

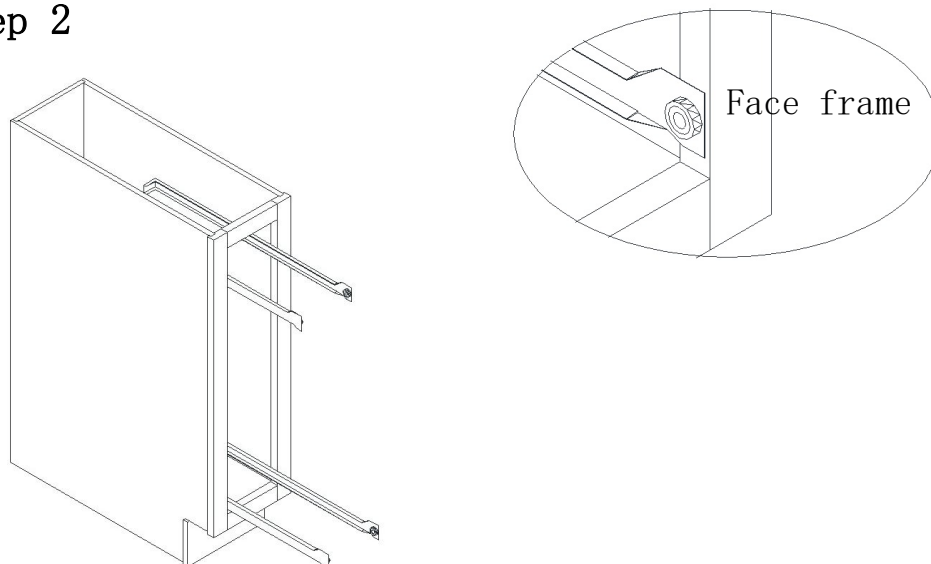
Screws: ϕ 3*30-24psc ϕ 3*20-6pcs ϕ 3*13-8pcs ϕ 3*12-12pcs

Step 1

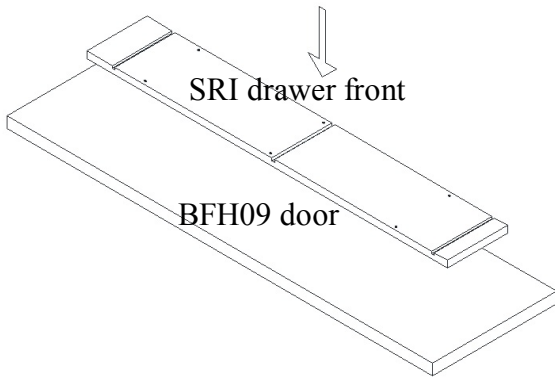


Slide boot is installed on the BFH09 back panel

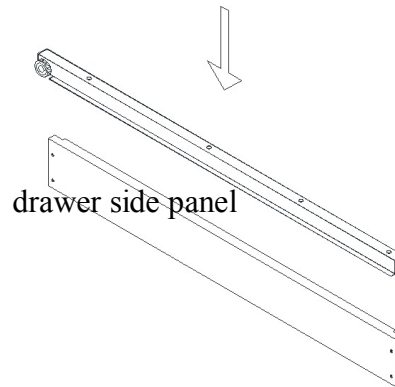
Step 2



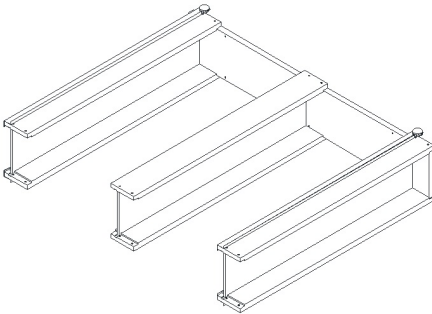
Step 3



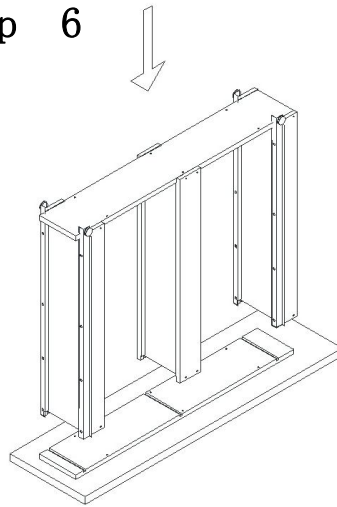
Step 4



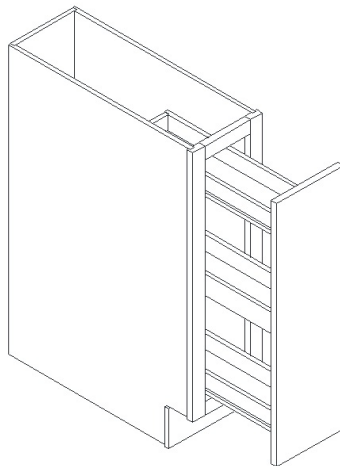
Step 5



Step 6



Step 7



Your cabinet is complete. For installation, consult a professional contractor or building supplier for the proper installation method or materials to be used for your existing wall condition(e.g., wood, concrete, tile , etc.).